

# TSSU-72-18-HC

 Prep Table, 18x 1/6 Top Pans, 3 Solid Swing Doors



Dimensions	
External Width (mm)	1839
External Depth (mm)	766
External Height (mm)	1093
Exclusions	Depth does not include 26 mm for rear bumpers. Height with lid closed.
Gross Volume (Litres)	538
Supplied Shelves	6
Shelf Size (L x D mm)	Left & Right Upper: 547 x 514. Central Upper: 596 x 539. Left & Right Lower: 547 x 349. Central Lower: 596 x 349
Internal Net Height (mm)	535
Top Pans Supplied (max depth mm)	18x 1/6 GN (100)
Unpackaged Weight (kg)	187
Packaged Weight (kg)	198
Packaged Dimensions (W x D x H mm)	1931 x 839 x 1270
Cutting Board (L x D mm)	1893 x 299
Supplied Supports	∅ 127 mm castors (158 mm height)

Build	
Door Description	3 Solid Swing Doors
Exterior Construction	Stainless steel front, top & hood, aluminium sides and rear
Interior Construction	Clear coated aluminium, stainless steel base
Air Intake Position	Front
Ventilation Position	Front
Clearance Required	Zero back and sides
Cord Length (Meters)	3.35
Standard w/ Locks	Not standard (SPEC3 option)

Technical	
Temperature Holding	0.5 : 5°C
Refrigerant	R290
Voltage / Frequency / Phase	220-240V/50Hz/1
Amps	3.1
Wattage	713
Defrost Type	Auto



Specifications subject to change without notice.  
Chart dimensions rounded up to the next whole millimeter (inches rounded up to the 1/8")

UK & Ireland  
Europe  
Australia

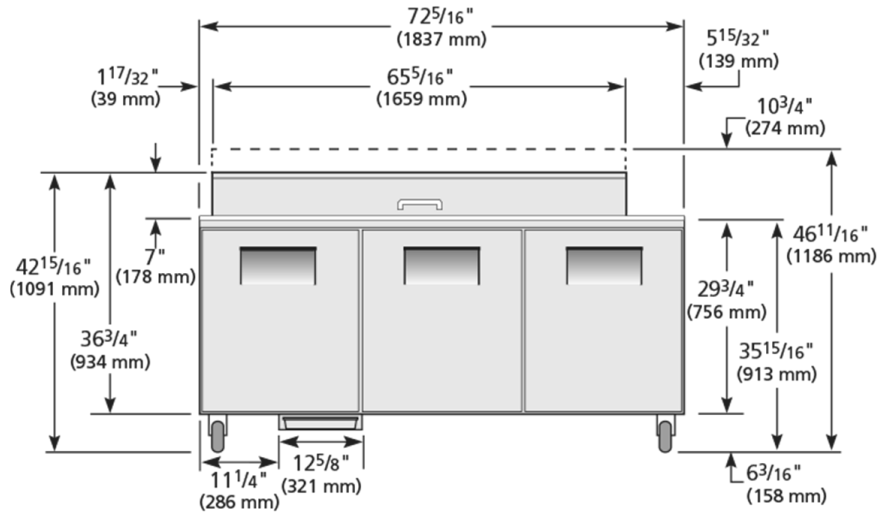
0800 783 2049  
+49 (0) 7622 6883 0  
+61 2 9619 9999

[TFIUK@truemfg.com](mailto:TFIUK@truemfg.com)  
[TrueGermCustomerService@truemfg.com](mailto:TrueGermCustomerService@truemfg.com)  
[TrueRefAus@truemfg.com](mailto:TrueRefAus@truemfg.com)

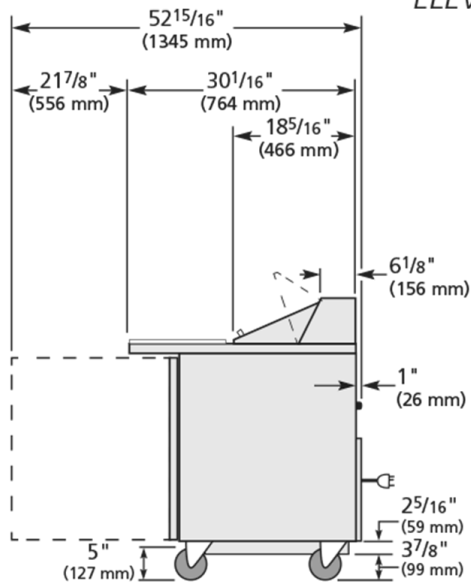
**True**  
REFRIGERATION

# TSSU-72-18-HC

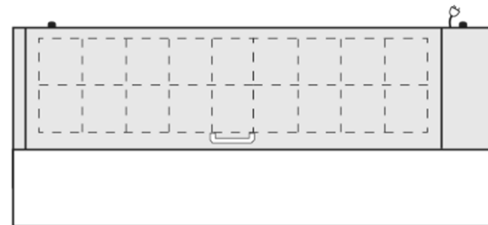
UK Prep Table, 18x 1/6 Top Pans, 3 Solid Swing Doors



ELEVATION



RIGHT VIEW



Specifications subject to change without notice.  
Chart dimensions rounded up to the next whole millimeter (inches rounded up to the 1/8")

UK & Ireland  
Europe  
Australia

0800 783 2049  
+49 (0) 7622 6883 0  
+61 2 9619 9999

TFIUK@truemfg.com  
TrueGermCustomerService@truemfg.com  
TrueRefAus@truemfg.com

