

TCF1/2-CL-SS-DL-DR

 1/1 GN Counter Freezer, 2 Section


Dimensions	
External Width (mm)	1411
External Depth (mm)	700
External Height (mm)	900
Exclusions	Depth does not include 41mm for door handles.
Net Volume (Litres)	166
Gross Volume (Litres)	420
Supplied Shelves	4
Shelf Size (L x D mm)	530 x 325
Internal Net Height (mm)	500
Unpackaged Weight (kg)	126
Packaged Weight (kg)	137
Packaged Dimensions (W x D x H mm)	1563 x 801 x 1067
Supplied Supports	Ø 127 mm castors (152 mm height). Plinth mountable

Build	
Door Description	2 Solid Swing Doors
Door Opening	Left Door opens left, Right Door opens right. Configurable and Field Reversible.
Exterior Construction	Stainless steel front & countertop, aluminium sides & rear
Interior Construction	Clear coated aluminium, stainless steel base
Air Intake Position	Front
Ventilation Position	Front
Clearance Required	Zero back and sides
Cord Length (Meters)	2.74
Standard w/ Locks	standard

Technical	
Temperature Holding	-23°C
Refrigerant	R290
Voltage / Frequency / Phase	220-240V/50-60Hz/1
Amps	0.7
Wattage	161
Climate Class	5
Operating Statement	Heavy Duty: This appliance is intended for use in ambient temperatures up to 40°C.
Testing Standard	EN 16825
EEC	B
EEl	34.5
kWh/24hr	3.17
kWh/Annum	1158
Defrost Type	Auto



Specifications subject to change without notice.
Chart dimensions rounded up to the next whole millimeter (inches rounded up to the 1/8")

UK & Ireland
Europe
Australia

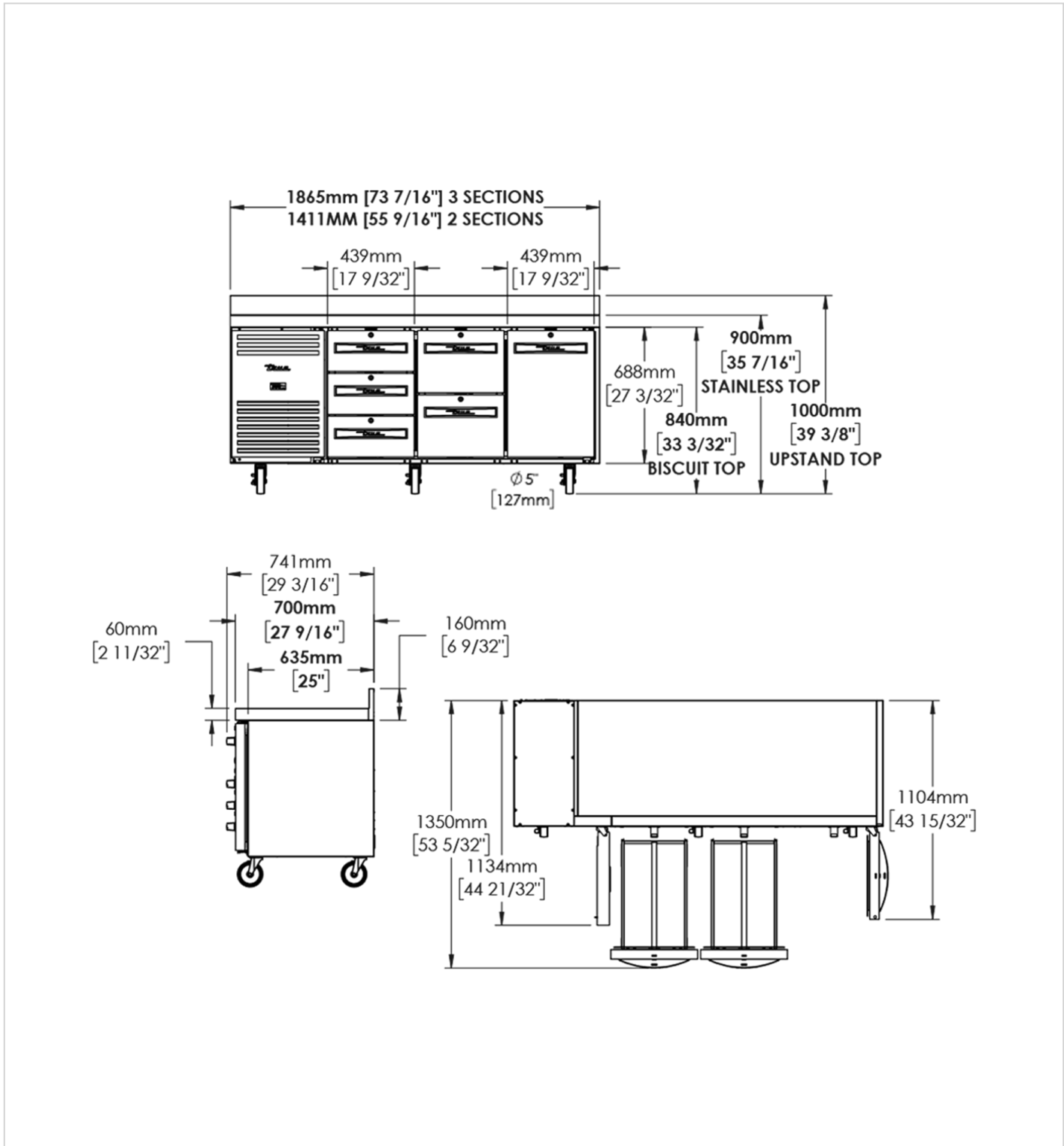
0800 783 2049
+49 (0) 7622 6883 0
+61 2 9619 9999

TFIUK@truemfg.com
TrueGermCustomerService@truemfg.com
TrueRefAus@truemfg.com



TCF1/2-CL-SS-DL-DR

1/1 GN Counter Freezer, 2 Section



WARRANTY 5 YEARS
PARTS, COMPRESSOR AND LABOUR

natural refrigerant.

Specifications subject to change without notice.
Chart dimensions rounded up to the next whole millimeter (inches rounded up to the 1/8")

UK & Ireland
Europe
Australia

0800 783 2049
+49 (0) 7622 6883 0
+61 2 9619 9999

TFIUK@truemfg.com
TrueGermCustomerService@truemfg.com
TrueRefAus@truemfg.com

