

TBR48-RISZ1-L-B-GG-2

 Bar Refrigerator, Black Ext, 2 Glass Swing Doors



Dimensions	
External Width (mm)	1219
External Depth (mm)	631
External Height (mm)	881
Exclusions	Depth does not include 35 mm for door handle. Height does not include 7 mm for leg levelers.
Gross Volume (Litres)	440
Supplied Shelves	6
Shelf Size (L x D mm)	394 x 458
Internal Net Height (mm)	730
Unpackaged Weight (kg)	141
Packaged Weight (kg)	152
Packaged Dimensions (W x D x H mm)	1397 x 724 x 1067
Supplied Supports	Leg Levelers (Castors supplied separate)

Build	
Door Description	2 Full Glass Swing Doors
Exterior Construction	Black powder coated steel front. Matching black coated Aluminium sides & rear. Stainless steel countertop.
Interior Construction	Stainless Steel
Air Intake Position	Front
Ventilation Position	Front
Clearance Required	Zero back and sides
Cord Length (Meters)	3.04
Internal Lighting	LED
Standard w/ Locks	standard

Technical	
Temperature Holding	0.5 : 3.3°C
Refrigerant	R290
Voltage / Frequency / Phase	220-240V/50-60Hz/1
Amps	1.3
Wattage	299
Defrost Type	Auto



Specifications subject to change without notice.
Chart dimensions rounded up to the next whole millimeter (inches rounded up to the 1/8")

UK & Ireland
Europe
Australia

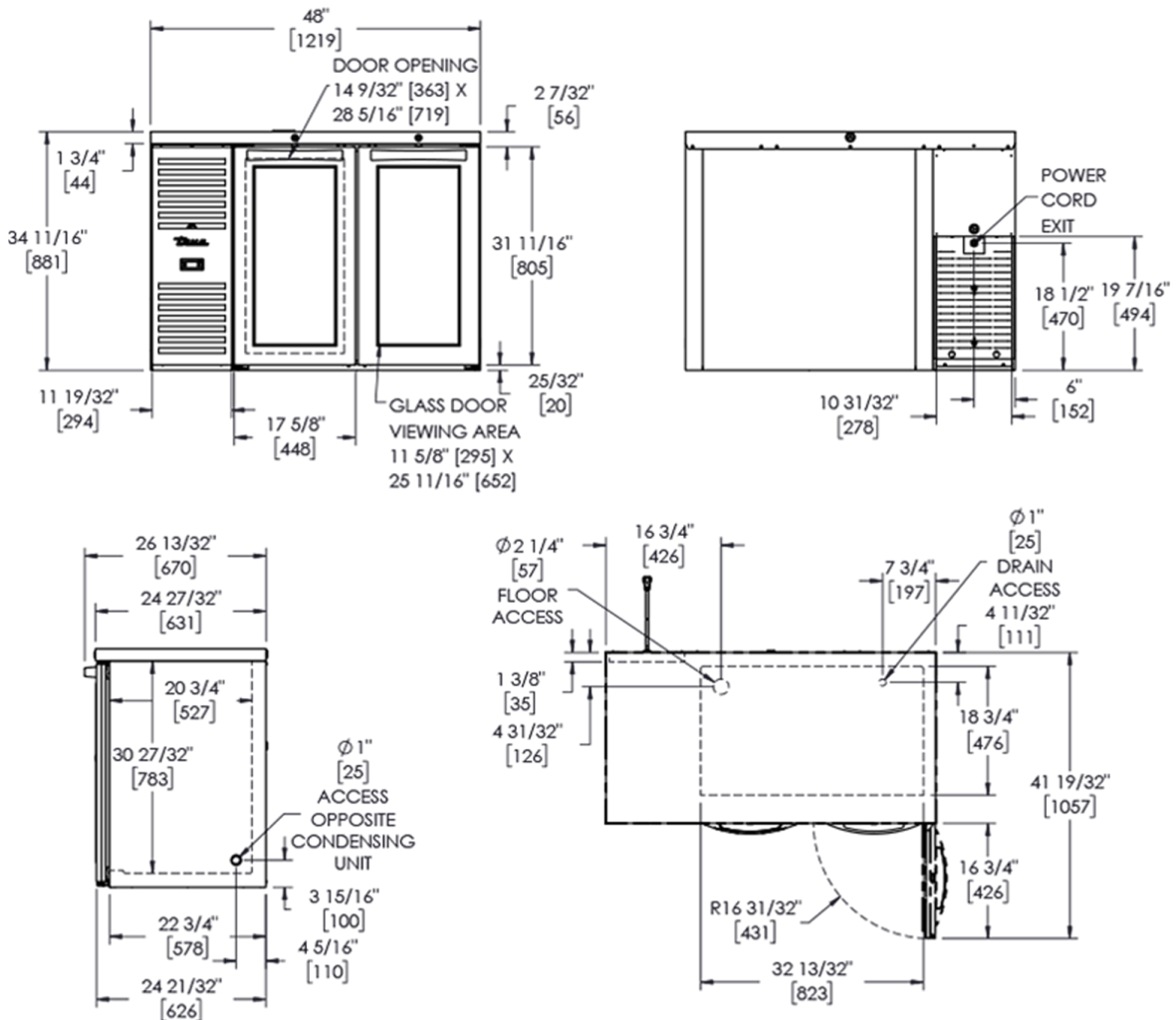
0800 783 2049
+49 (0) 7622 6883 0
+61 2 9619 9999

TFIUK@truemfg.com
TrueGermCustomerService@truemfg.com
TrueRefAus@truemfg.com



TBR48-RISZ1-L-B-GG-2

Bar Refrigerator, Black Ext, 2 Glass Swing Doors



Specifications subject to change without notice.
Chart dimensions rounded up to the next whole millimeter (inches rounded up to the 1/8")

UK & Ireland
Europe
Australia

0800 783 2049
+49 (0) 7622 6883 0
+61 2 9619 9999

TFIUK@truemfg.com
TrueGermCustomerService@truemfg.com
TrueRefAus@truemfg.com

