


T-23-HC

 Upright Foodservice Refrigerator, 1 Full Solid Swing Door



Dimensions	
External Width (mm)	686
External Depth (mm)	750
External Height (mm)	2074
Exclusions	Depth does not include 13 mm for rear access panel.
Net Volume (Litres)	445
Gross Volume (Litres)	651
Supplied Shelves	4
Shelf Size (L x D mm)	582 x 591
Internal Net Height (mm)	1300
Unpackaged Weight (kg)	100
Packaged Weight (kg)	123
Packaged Dimensions (W x D x H mm)	909 x 788 x 2134
Supplied Supports	Ø 64 mm castors (83 mm height)

Build	
Door Description	1 Solid Swing Door
Door Opening	Right (standard) or Left.
Exterior Construction	Stainless steel front, aluminium sides & rear
Interior Construction	Clear coated aluminium, stainless steel base
Air Intake Position	Front
Ventilation Position	Rear
Clearance Required	26 mm rear, zero sides
Cord Length (Meters)	2.74
Internal Lighting	LED
Standard w/ Locks	Standard.

Technical	
Temperature Holding	0.5 : 3.3°C
Refrigerant	R290
Voltage / Frequency / Phase	220-240V/50-60Hz/1
Amps	1.3
Wattage	299
Climate Class	5
Operating Statement	Heavy Duty: This appliance is intended for use in ambient temperatures up to 40°C.
Testing Standard	EN 16825
EEC	C
EEl	36.8
kWh/24hr	1.34
kWh/Annum	489
Defrost Type	Auto



Specifications subject to change without notice.
Chart dimensions rounded up to the next whole millimeter (inches rounded up to the 1/8")

UK & Ireland
Europe
Australia

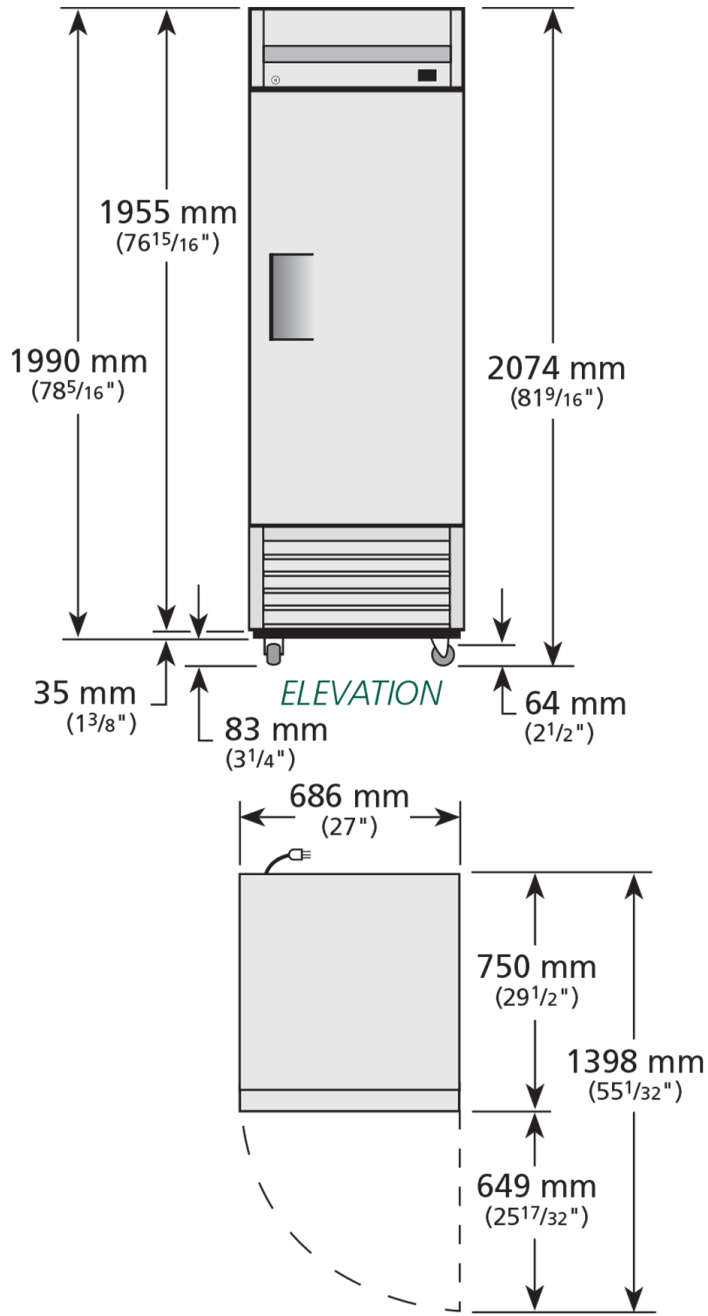
0800 783 2049
+49 (0) 7622 6883 0
+61 2 9619 9999

TFIUK@truemfg.com
TrueGermCustomerService@truemfg.com
TrueRefAus@truemfg.com

True
REFRIGERATION

T-23-HC

Upright Foodservice Refrigerator, 1 Full Solid Swing Door



WARRANTY 5 YEARS*
PARTS, COMPRESSOR AND LABOUR
natural refrigerant.

Specifications subject to change without notice.
Chart dimensions rounded up to the next whole millimeter (inches rounded up to the 1/8")

UK & Ireland
Europe
Australia

0800 783 2049
+49 (0) 7622 6883 0
+61 2 9619 9999

TFIUK@truemfg.com
TrueGermCustomerService@truemfg.com
TrueRefAus@truemfg.com

