


T-15-HC-LD

 Slimline Upright Foodservice Refrigerator, 1 Full Solid Swing Door



Dimensions	
External Width (mm)	632
External Depth (mm)	585
External Height (mm)	1877
Exclusions	Depth does not include 13 mm for rear access panel.
Net Volume (Litres)	290
Gross Volume (Litres)	425
Supplied Shelves	5
Shelf Size (L x D mm)	524 x 445
Internal Net Height (mm)	1300
Unpackaged Weight (kg)	101
Packaged Weight (kg)	112
Packaged Dimensions (W x D x H mm)	737 x 699 x 1918
Supplied Supports	Ø51 mm castors (74 mm height)

Build	
Door Description	1 Solid Swing Door
Door Opening	Right (standard) or Left.
Exterior Construction	Stainless steel front, aluminium sides & rear
Interior Construction	Clear coated aluminium, stainless steel base
Air Intake Position	Front
Ventilation Position	Rear
Clearance Required	26 mm rear, zero sides
Cord Length (Meters)	2.74
Internal Lighting	LED

Technical	
Temperature Holding	0.5 : 3.3°C
Refrigerant	R290
Voltage / Frequency / Phase	220-240V/50Hz/1
Amps	1.4
Wattage	322
Climate Class	5
Operating Statement	Heavy Duty: This appliance is intended for use in ambient temperatures up to 40°C.
Testing Standard	EN 16825
EEC	D
EEl	52.4
kWh/24hr	1.55
kWh/Annum	569
Defrost Type	Auto



Specifications subject to change without notice.
Chart dimensions rounded up to the next whole millimeter (inches rounded up to the 1/8")

UK & Ireland
Europe
Australia

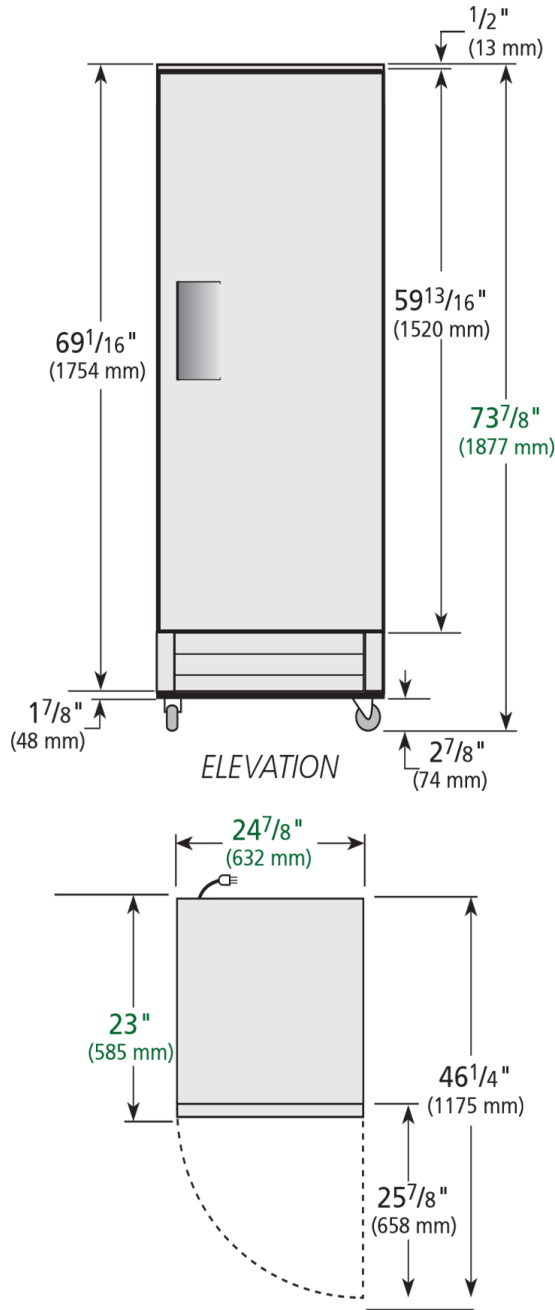
0800 783 2049
+49 (0) 7622 6883 0
+61 2 9619 9999

TFIUK@truemfg.com
TrueGermCustomerService@truemfg.com
TrueRefAus@truemfg.com



T-15-HC-LD

UK Slimline Upright Foodservice Refrigerator, 1 Full Solid Swing Door



Specifications subject to change without notice.
Chart dimensions rounded up to the next whole millimeter (inches rounded up to the 1/8")

UK & Ireland
Europe
Australia

0800 783 2049
+49 (0) 7622 6883 0
+61 2 9619 9999

TFIUK@truemfg.com
TrueGermCustomerService@truemfg.com
TrueRefAus@truemfg.com

