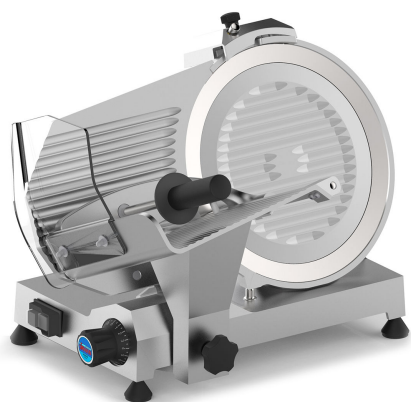




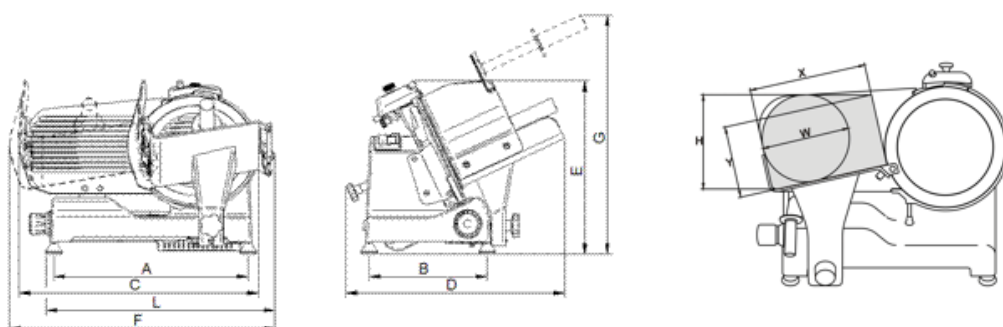
Sirman Spa
Viale dell'Industria 9/11
35010 PIEVE DI CURTAROLO (PD), Italy
Tel./Fax. +39 049 9698666 / +39 049 9698688
email: info@sirman.com



Sirman Slicers , model Smart 300 :

- Anodized Aluminium body and components.
- Ergonomic food-presser made of anodized aluminium with stainless steel small nails
- Wide space between motor and blade for easy cleaning.
- Ventilated motor for continuous work.
- Carriage running on self-lubricating bushes and lapped pins.
- Cast-in sharpener body assembly with 2 standard emery-wheels.
- Compact dimensions but great cutting capacity.
- Devise for releasing the carriage on CE version.
- 25° blade inclination.

Data sheet



Technical data

Model	SMART 300
ø blade	mm 300 - inch. 12
Motor	watt 147 - Hp 0,20
Cut thickness	mm 13
Run of carriagr	mm 245
Plate	mm 230x230
A	mm 395
B	mm 245

Smart : Smart 300

C	mm 546
D	mm 560
E	mm 390
F	mm 570
G	mm 475
L	mm 465
X	mm 210
Y	mm 172
H	mm 205
W	mm 192
Net weight	kg 18
Shipping	mm 600x500x420
Gross weight	kg 20
HS-CODE	84385000