



VACUUM SEALER SE-410

Tabletop model. 10 m³/h. 420 mm.



FOOD PRESERVATION AND SOUS-VIDE
VACUUM PACKING MACHINES - "SENSOR" LINE

FEATURES AND BENEFITS

- ✓ Powered by Busch.
- ✓ Vacuum controlled by sensor.
- ✓ Vacuum PLUS.
- ✓ Digital keyboard.
- ✓ Control panel equipped with display indicating the exact vacuum percentage.
- ✓ "Pause" button to marinate food.
- ✓ Safe liquid packing thanks to sensor control.
- ✓ Double seal.
- ✓ Cordless sealing bar.
- ✓ Bag-sealing programme.
- ✓ Pulse-controlled decompression.
- ✓ Vac-Norm ready with Automatic decompression.
- ✓ Stainless steel body and chamber. Deep-drawn chamber.
- ✓ Damped transparent lid of highly durable polycarbonate.
- ✓ Dry-oil programme for drying the pump.
- ✓ Working hours counter for oil changes.
- ✓ Safety system with protection against vacuum failure.

INCLUDES

- ✓ Sensor Controls
- ✓ Up to 10 seconds of extra vacuum pull
- ✓ Soft air function
- ✓ Dry oil cycle
- ✓ BUSCH pump
- ✓ NSF Approved
- ✓ Clear methacrylate lid
- ✓ Filling plate



SALES DESCRIPTION

420 mm. sealing bar.
 10 m³/h Busch vacuum pump.
 Vacuum controlled by sensor.



sammic | www.sammic.com
Food Service Equipment Manufacturer

Polígono Basarte, 1. phone +34 943 15 72 36
 20720 Azkoitia, Spain sales@sammic.com



Project	Date
Item	Qty
Approved	

product sheet updated 12/02/2018



VACUUM SEALER SE-410

Tabletop model. 10 m³/h. 420 mm.



SPECIFICATIONS

Pump capacity: 10 m³/h

Bar length: 420 mm

Total loading: -- W

Vacuum pressure (maximum): 2 mbar

Internal dimensions

✓ Width: 430 mm

✓ Depth: 415 mm

✓ Height: 145 mm

External dimensions (WxDxH)

✓ Width: 484 mm

✓ Depth: 529 mm

✓ Height: 413 mm

Net weight: 64 Kg

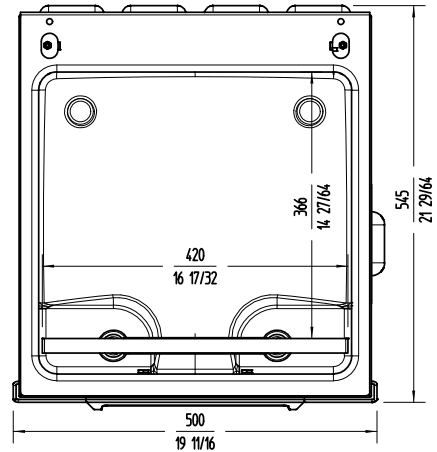
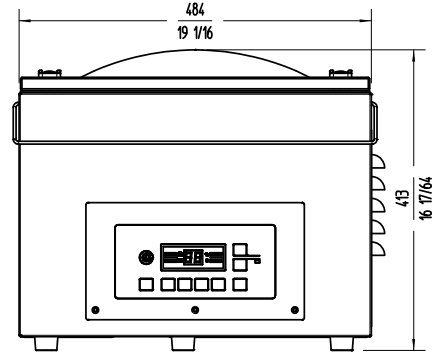
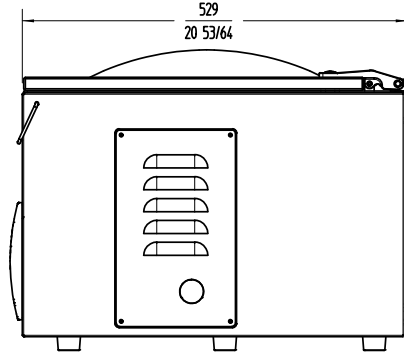
Noise level (1m.): -- dB(A)

Background noise: 32 dB(A)

Crated dimensions

600 x 600 x 620 mm

Gross weight: 54 Kg.



AVAILABLE MODELS

1140634 Vacuum packing machine SE-410 230/50-60/1

* Ask for special versions availability

ACCESSORIES

- Bag cutting kits
- Filling plates
- Liquid insert plates
- Vac-norm external vacuum kits
- Vac-norm containers
- Smooth bags for vacuum packing
- Trolley for vacuum packing machines

FOOD PRESERVATION AND SOUS-VIDE
VACUUM PACKING MACHINES - "SENSOR" LINE

sammic | www.sammic.com
Food Service Equipment Manufacturer

Polígono Basarte, 1. phone +34 943 15 72 36
20720 Azkoitia, Spain sales@sammic.com



Project

Date

Item

Qty

Approved

product sheet
updated 12/02/2018