



POTATO PEELER PI-30

Stainless steel construction commercial potato peeler. 30 Kg. / 66 pounds load per cycle.



FEATURES AND BENEFITS

High capacity and production owing to lateral stirrers covered with silicon carbide abrasive (approved by NSF). Aluminium base plate lined with silicon carbide abrasive (approved by NSF). Construction in stainless steel.

- ✓ Auto-drag of waste to the drain.
- ✓ Energy efficiency thanks to engine optimisation.
- ✓ Lifiable transparent polycarbonate cover, complete with locking and safety device.
- ✓ Aluminium door with hermetic seal and safety device.
- ✓ Waterproof control board (IP65): Improved reliability against moisture and water splash.
- ✓ Water inlet system with non-return air break.
- ✓ Auxiliary contact for external electric valve.
- ✓ 0-6min timer and possibility of continuous operation.

SALES DESCRIPTION

Not only to peel potatoes, but also suitable to peel carrots and other similar products.

DYNAMIC PREPARATION
COMMERCIAL POTATO PEELERS



SAMMIC, S.L.
Basiglio, 1 - 20720 ASKOTTA
www.sammic.com



www.sammic.co.uk

Food Service Equipment Manufacturer

Unit 2, Trevanah Road
Troon Industrial Park
LE4 9LS - Leicester

uksales@sammic.com
Tel.: +44 0116 246 1900



| | |
|----------|------|
| Project | Date |
| Item | Qty |
| Approved | |

product sheet
updated 06/03/2018



POTATO PEELER PI-30

Stainless steel construction commercial potato peeler. 30 Kg. / 66 pounds load per cycle.



SPECIFICATIONS

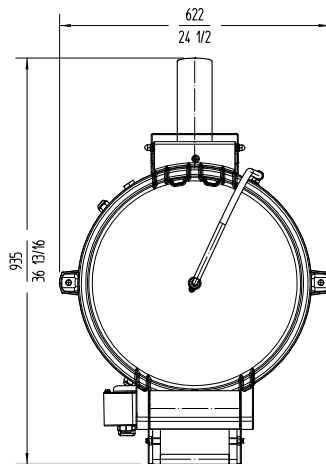
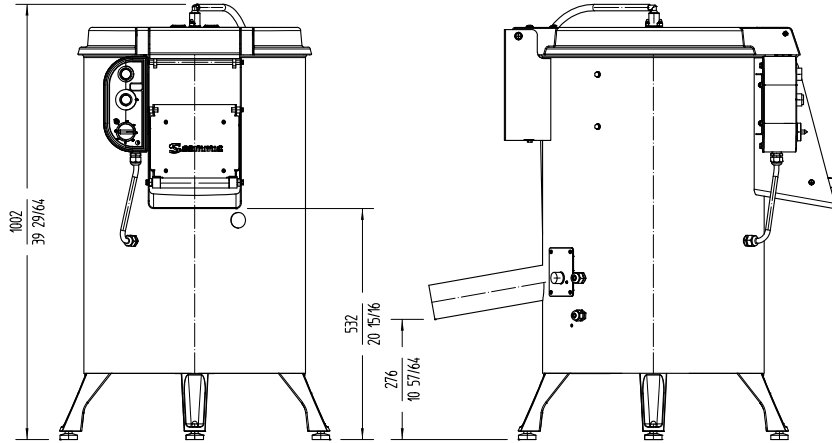
- Hourly production: 600 Kg / 720 Kg
- Capacity per load: 30 Kg
- Timer (min-max): 0' - 6'
- Total loading: 730 W
- Outlet door dimensions: Height: 130 mm / Height: 160 mm

External dimensions (WxDxH)

- ✓ Width: 622 mm
- ✓ Depth: 760 mm
- ✓ Height: 950 mm

External dimensions with stand

- ✓ Width with stand: 546 mm
- ✓ Depth with stand: 760 mm
- ✓ Height with stand: 1255 mm
- Net weight: 60 Kg



AVAILABLE MODELS

1000630 Potato peeler PI-30 230-400/50/3N

1000631 Potato peeler PI-30 230/50/1

* Ask for special versions availability

ACCESSORIES

Stands for potato peelers

Filters for potato peelers

DYNAMIC PREPARATION
COMMERCIAL POTATO PEELERS



www.sammic.co.uk

Food Service Equipment Manufacturer

Unit 2, Trevanah Road
Troon Industrial Park
LE4 9LS - Leicester

uksales@sammic.com
Tel.: +44 0116 246 1900



Project

Date

Item

Qty

Approved

product sheet
updated 06/03/2018