



POTATO PEELER M-5

5 Kg. / 11 pounds load per cycle.



FEATURES AND BENEFITS

- ✓ Abrasive peeling. The abrasive is highly resistant and long lasting.
- ✓ Base Plate lined with highly resistant and long lasting abrasive.
- ✓ Stainless steel body.
- ✓ Ideal for placement near sink for drainage
- ✓ Very easy to install
- ✓ Water inlet system with non-return air break.
- ✓ Integral control panel complete with on/off push buttons and a 0-6 minute timer.
- ✓ Optional extra: A stainless steel stand complete with removable filter chamber.

SALES DESCRIPTION

Commercial stainless steel construction potato peeler suitable for reduced space areas.

Also suitable to peel carrots and other similar products.



www.sammic.co.uk
 Food Service Equipment Manufacturer
 Unit 2, Trevanth Road
 Troon Industrial Park
 LE4 9LS - Leicester
 uksales@sammic.com
 Tel.: +44 0116 246 1900



Project	Date
Item	Qty
Approved	

DYNAMIC PREPARATION
COMMERCIAL POTATO PEELERS

product sheet
updated 06/03/2018



POTATO PEELER M-5

5 Kg. / 11 pounds load per cycle.



SPECIFICATIONS

- Hourly production: 80 Kg / 100 Kg
- Capacity per load: 5 Kg
- Timer (min-max): 0' - 6'
- Total loading: 300 W
- Noise level (1m.): 70 dB(A)
- Background noise: 32 dB(A)

External dimensions (WxDxH)

- ✓ Width: 333 mm
- ✓ Depth: 367 mm
- ✓ Height: 490 mm

External dimensions with stand

- ✓ Width with stand: 425 mm
- ✓ Depth with stand: 555 mm
- ✓ Height with stand: 965 mm

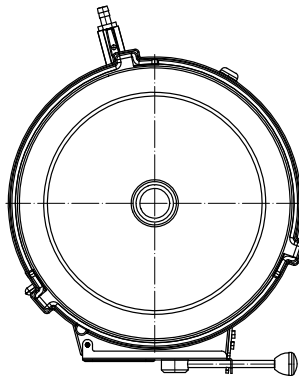
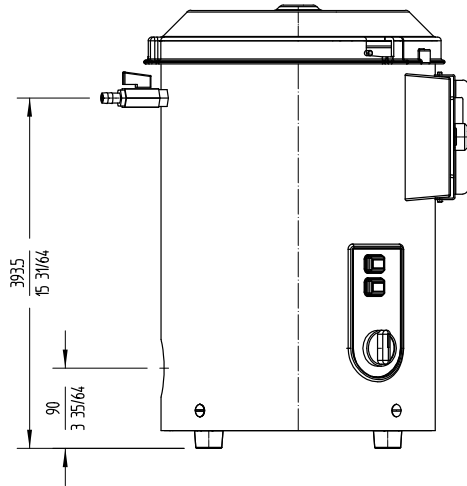
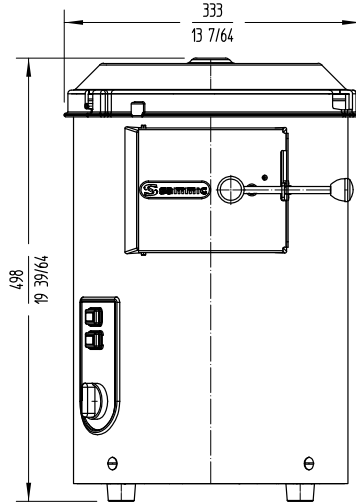
Plate speed: 300 rpm

Net weight: 15.5 Kg

Crated dimensions

57 x 42 x 42 mm

Gross weight: 18.5 Kg.



AVAILABLE MODELS

1000565 Potato peeler M-5 230/50-60/1

* Ask for special versions availability

ACCESSORIES

Stands for potato peelers

Filters for potato peelers

DYNAMIC PREPARATION
COMMERCIAL POTATO PEELERS



www.sammic.co.uk

Food Service Equipment Manufacturer

Unit 2, Trevanah Road
Troon Industrial Park
LE4 9LS - Leicester

uksales@sammic.com
Tel.: +44 0116 246 1900



Project

Date

Item

Qty

Approved

product sheet
updated 06/03/2018