



# COMMERCIAL ORANGE JUICER ECP

Lever operated citrus juice squeezer



## FEATURES AND BENEFITS

- ✓ Stainless steel body.
- ✓ Lever operated.
- ✓ Easy to clean.

## SALES DESCRIPTION

SNACK BAR-PIZZERIA  
COMMERCIAL ORANGE JUICERS



**www.sammic.co.uk**  
**Food Service Equipment Manufacturer**  
 Unit 2, Trevanah Road  
 Troon Industrial Park  
 LE4 9LS - Leicester  
 uksales@sammic.com  
 Tel.: +44 0116 246 1900



Project	Date
Item	Qty
Approved	

product sheet  
updated 06/03/2018



# COMMERCIAL ORANGE JUICER ECP

Lever operated citrus juice squeezer



## SPECIFICATIONS

Production oranges/hour: 200

Total loading: 130 W

### External dimensions (WxDxH)

✓ Width: 200 mm

✓ Depth: 300 mm

✓ Height: 370 mm

Net weight: 8 Kg

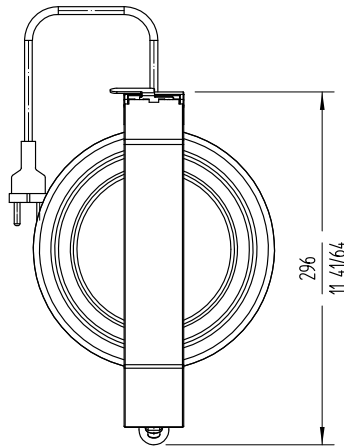
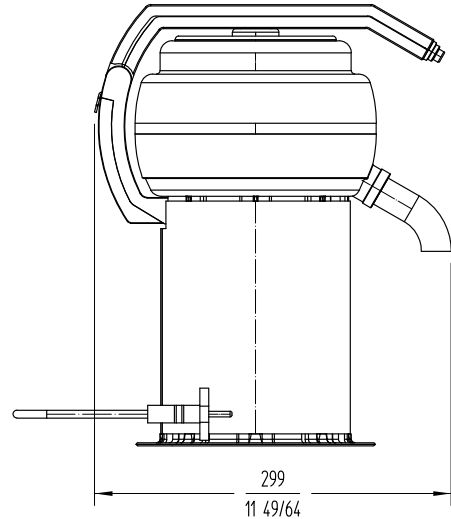
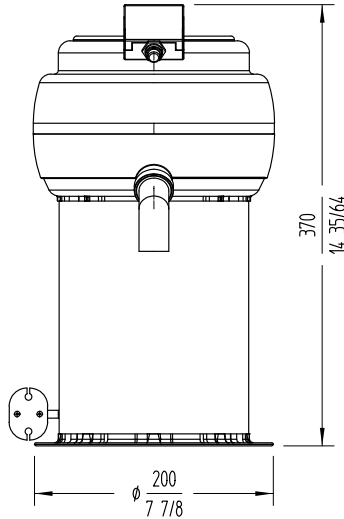
Noise level (1m.): 60 dB(A)

Background noise: 25 dB(A)

### Crated dimensions

300 x 300 x 445 mm

Gross weight: 9.8 Kg.



## AVAILABLE MODELS

3420033 Citrus juice extractor ECP 230/50/1

\* Ask for special versions availability

## ACCESSORIES

Outer strainer

Stainless steel decanter

SNACK BAR-PIZZERIA  
COMMERCIAL ORANGE JUICERS



[www.sammic.co.uk](http://www.sammic.co.uk)

Food Service Equipment Manufacturer

Unit 2, Trevanah Road

Troon Industrial Park

LE4 9LS - Leicester

[uksales@sammic.com](mailto:uksales@sammic.com)

Tel.: +44 0116 246 1900



Project

Date

Item

Qty

Approved

product sheet  
updated 06/03/2018