



COMMERCIAL ORANGE JUICER ECM

Hand operated citrus juice squeezer



SNACK BAR-PIZZERIA
COMMERCIAL ORANGE JUICERS

FEATURES AND BENEFITS

- ✓ Stainless steel body.
- ✓ Hand operated.
- ✓ Easy to use and clean.
- ✓ Durable.
- ✓ For all types of establishments



SALES DESCRIPTION

Hand operated citrus juice squeezer with an hourly output of up to 200 liters.



SAMMIC, S.L.
Basiglio, 1 - 20720 ASKOFITTA
www.sammic.com



www.sammic.co.uk
Food Service Equipment Manufacturer
Unit 2, Trevanth Road
Troon Industrial Park
LE4 9LS - Leicester
uksales@sammic.com
Tel.: +44 0116 246 1900



Project	Date
Item	Qty
Approved	

product sheet
updated 06/03/2018



COMMERCIAL ORANGE JUICER ECM

Hand operated citrus juice squeezer



SPECIFICATIONS

Production oranges/hour: 200

Total loading: 130 W

External dimensions (WxDxH)

✓ Width: 200 mm

✓ Depth: 280 mm

✓ Height: 340 mm

Noise level (1m.): 60 dB(A)

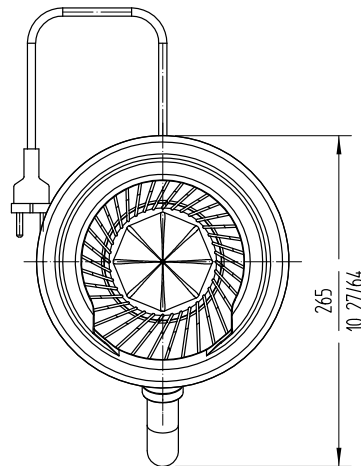
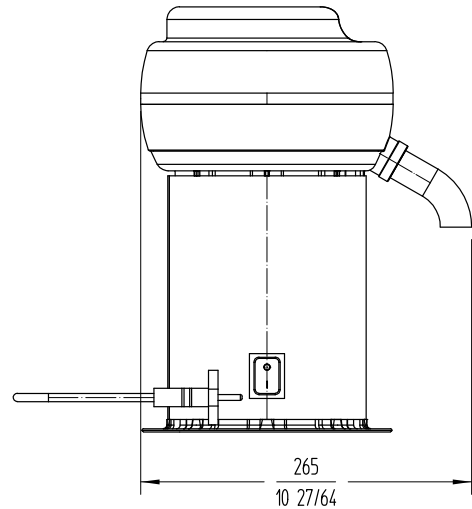
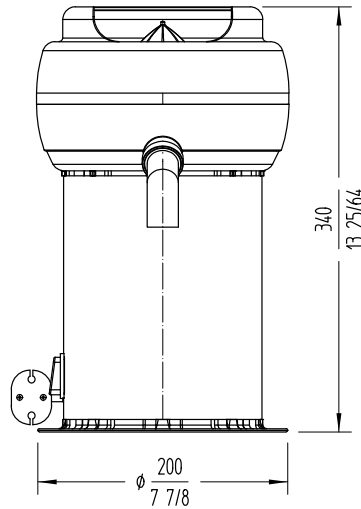
Background noise: 25 dB(A)

Net weight: 7 Kg

Crated dimensions

300 x 300 x 445 mm

Gross weight: 9 Kg.



AVAILABLE MODELS

3420030 Citrus juice extractor ECM 230/50/1

* Ask for special versions availability

ACCESSORIES

Outer strainer

Stainless steel decanter

SNACK BAR-PIZZERIA
COMMERCIAL ORANGE JUICERS



www.sammic.co.uk

Food Service Equipment Manufacturer

Unit 2, Trevanth Road
Troon Industrial Park
LE4 9LS - Leicester

uksales@sammic.com
Tel.: +44 0116 246 1900



Project

Date

Item

Qty

Approved

product sheet
updated 06/03/2018