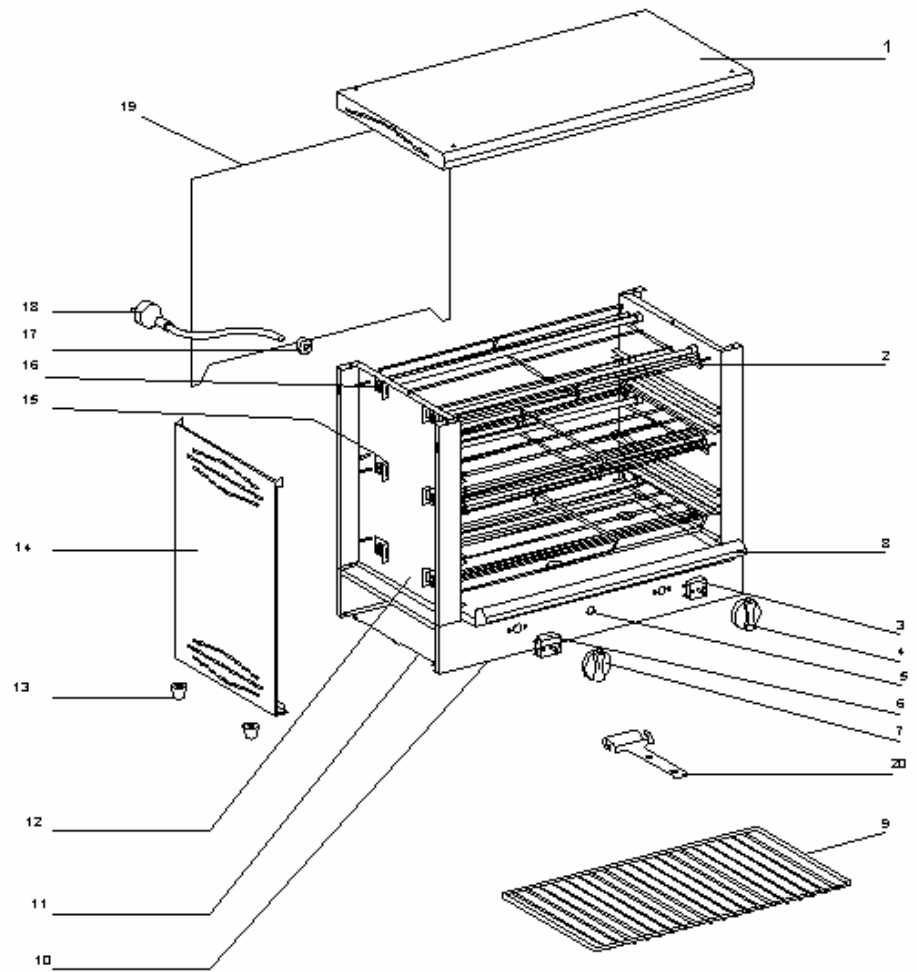


**INSTRUCTIONS FOR USE AND INSTALLATION
TOASTERS
BAR 1000 / BAR 2000**



Made in France

BAR 2000



TOASTERS

BAR 1000 / BAR 2000

Nomenclature **BAR 2000**
Spare parts **BAR 2000**

Rep	Code	Qty	Pièce	Spare part
1	30030	1	Toit	Roof
2	F01052	4	Grille protége tubes	Tube protection grid
3	A02008	1	Minuterie	Timer
4	A14078	1	Bouton	Knob
5	A08003	1	Voyant orange	Orange pilot light
6	A01017	1	Commutateur	Commutator
7	A14078	1	Bouton	Knob
8	30036	1	Plat	Tray
9	F01056	2	Grille	Grid
10	30039	1	Socle	Base
11	30033	1	Fond socle	Bottom enclosure
12	30035SE	2	Montant	Upright
13	A13003	4	Pied	Foot
14	30032	2	Flasque	Side casing
15	B07025	12	Clips	Clips
16	D04022	6	Résistance+tube quartz	Quartz tube assembly
17	A10007	1	Bornier	Conecting block
18	C03013	1	Cordon	Cord with plug
19	30038	1	Arrière	Back
20	F03006	1	Poignée support grille	Grid holder handle

Congratulations for the acquisition of this upmarket appliance made in France. You chose an appliance which alloys the best technical qualities with a big user-friendliness. We wish you the biggest contentment

1. SECURITY INSTRUCTIONS

Please respect these instructions scrupulously to avoid any risk of fire, electric shock, scald or other wounds and damage. During the use of this appliance, fundamental circumspection of security must always be noticed, such as:

- Take into account the instructions and keep it systematically with the appliance.
- Install the appliance always in instructions respect. A 10 cm distance minimum with the partition or the wall is necessary.
- Protect the appliance from direct light of the sun, frost and humidity.
- Never leave the appliance within the reach of children or disabled persons without surveillance.
- Never move the appliance when it is working or when the surfaces of cooking are still hot.
- Check that the appliance is definitely off before connecting it up or disconnecting it.
- Do not touch the hot surfaces of the appliance. The temperature of the hot surfaces can be very important when the appliance is working. Always use handles and control knobs.
- Do not use the appliance for other functions than determined use.
- Do not leave the electrical cord in contact of hot surfaces.
- The appliance should not be used close to combustible materials.
- During use, look after not to obstruct hearings of aeration of the appliance
- To avoid any electric shock, never plunge the appliance, the cord or plug in water or quite other liquid.
- If the cord is harmed, it must be replaced by the producer, his after sale service or persons of similar skills to avoid any risk.
- Entrust repairs only to a skilled person.
- Use only spare parts of origin.
- At the end of cooking, before cleaning the appliance, do not forget to disconnect it.

2. CONTENTS OF CARDBOARD PACKAGING

Device: A toaster with protecting grids

Accessories:

- One tray
- One cooking grid (BAR 1000)
- Two cooking grids (BAR 2000)
- One grid holder handle (BAR 1000 / BAR 2000)
- The present note

Option : Sandwich tong

See exploded views for BAR 1000 / BAR 2000 at the end of the document

3. CONFORMITY OF USE

Use the appliance only to cook or reheat sandwiches, croque-monsieur, pizzas, quiches, cheese/meat puffs, croissants....or to brown onion soups, to toast baguettes and bread.

4. WAY OF FUNCTIONING

These toasters exist in 2 versions (1 or 2 levels). According to the dimension of the machine, you can cook instantly at core with no smoke and odour thanks to the rays of the infrared quartz tubes from 150 to 300 toasts per hour.

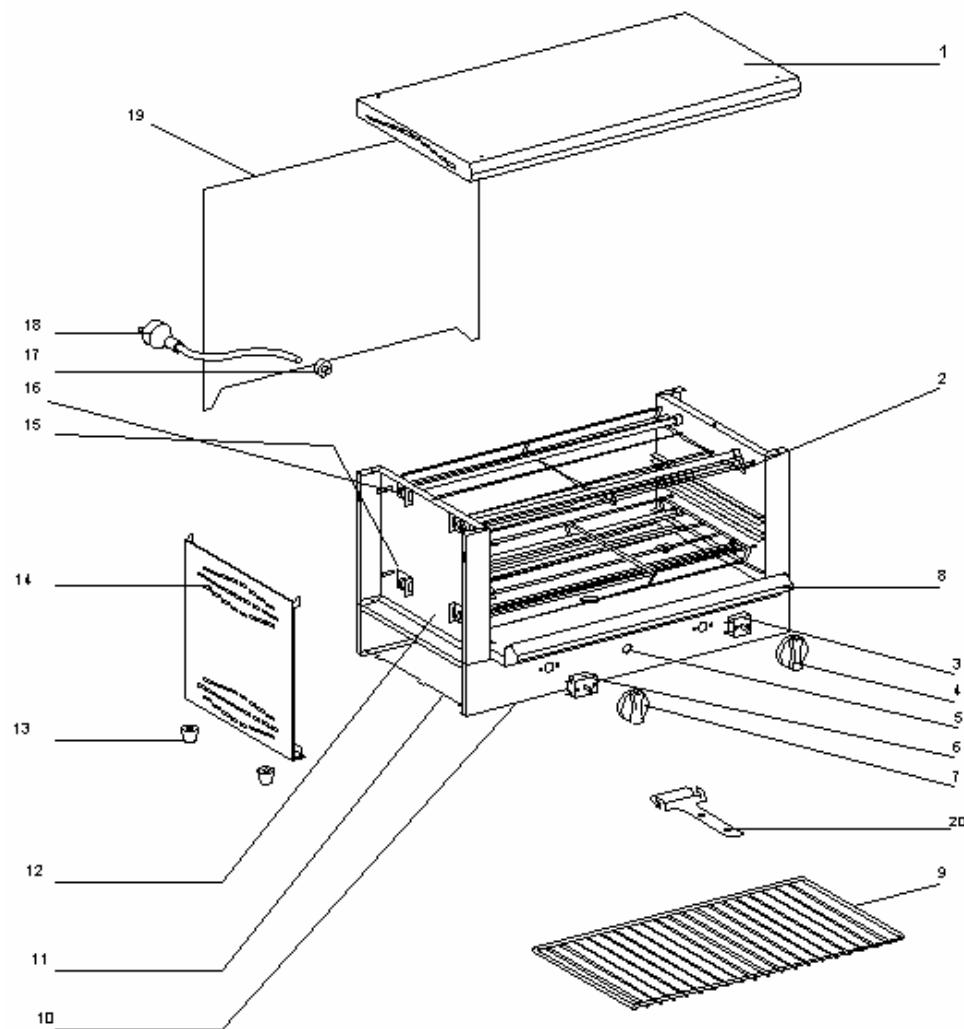
Preheat is not necessary as the temperature rise is very fast, less than 30 sec.

To turn on the toaster, just action the commutator (n°1 on picture) on the desired position (from 2 to 4), turn on the timer (n°3 on picture) according the desired cooking time. The orange pilot light (n°2 on picture) ignites. Your machine is working

The selection of the cooking zone is made through the commutator

Never use the toaster without its tray (n°4 on picture)

BAR 1000



Nomenclature BAR 1000
Spare parts BAR 1000

Rep	Code	Qty	Pièce	Spare part
1	30030	1	Toit	Roof
2	F01052	2	Grille protège tubes	Tube protection grid
3	A02008	1	Minuterie	Timer
4	A14078	1	Bouton	Knob
5	A08003	1	Voyant orange	Orange pilot light
6	A01017	1	Commutateur	Commutator
7	A14078	1	Bouton	Knob
8	30036	1	Plat	Tray
9	F01056	1	Grille	Grid
10	30039	1	Socle	Base
11	30033	1	Fond de socle	Bottom enclosure
12	30034SE	2	Montant	Upright
13	A13003	4	Pied	Foot
14	30031	2	Flasque	Side casing
15	B07025	8	Clips	Clips
16	D04022	4	Résistance+tube quartz	Quartz tube assembly
17	A10007	1	Bornier	Conecting block
18	C03006	1	Cordon avec prise	Cord with plug
19	30037	1	Arrière	Back
20	F03006	1	Poignée support grille	Grid holder handle



- 1 Commutator 2 On/off pilot light
3 Timer 15 min 4 Tray

5. FUNCTIONING / MANIPULATION

a) Installation / assembly:

- Unpack carefully the device of its packaging.
- Place it on a plane and heatproof surface.
- Never place the device near a wall or near a partition makes of combustibile materials even if it is very well isolated.
- A distance of minimum 10 cm with the partition or the wall is necessary.
- Remove the protective films

b) First starting:

During the first use, warm your machine up outside to evacuate residual smokes of manufacturing oil from the metallic parts. This may emit a slight smell for a few moments.

First cleaning

Clean the device before the first use. (See 6. Cleaning)

Connection of the device

- Check that the tension and the frequency of the electricity network suit to the values indicated on the descriptive plate.
- Check that neither the cord nor the plug are damaged. If necessary, it has to be replaced by the manufacturer, its after sale service or any qualified person to avoid any risk.
- Make sure that every control knob is positioned on 0.
- Unwind completely the electric power cable and connect it in a plug connected with the earth.
- The device is connected.

NB: in case of connection of the device in a plug without earth protection or directly on the electricity network, confide its connection to a qualified person .

c) Use of device :

Elements of command and display

Command/Display	Function
Commutator 4 positions (n° 1 on picture) : Position 1 Position 2 Position 3 Position 4	Stop Bottom quartz tubes only Top quartz tubes only All the tubes warm
Orange pilot light (n°2 on picture)	Machine is on
Timer 15 min (n°3 on picture)	Cooking time

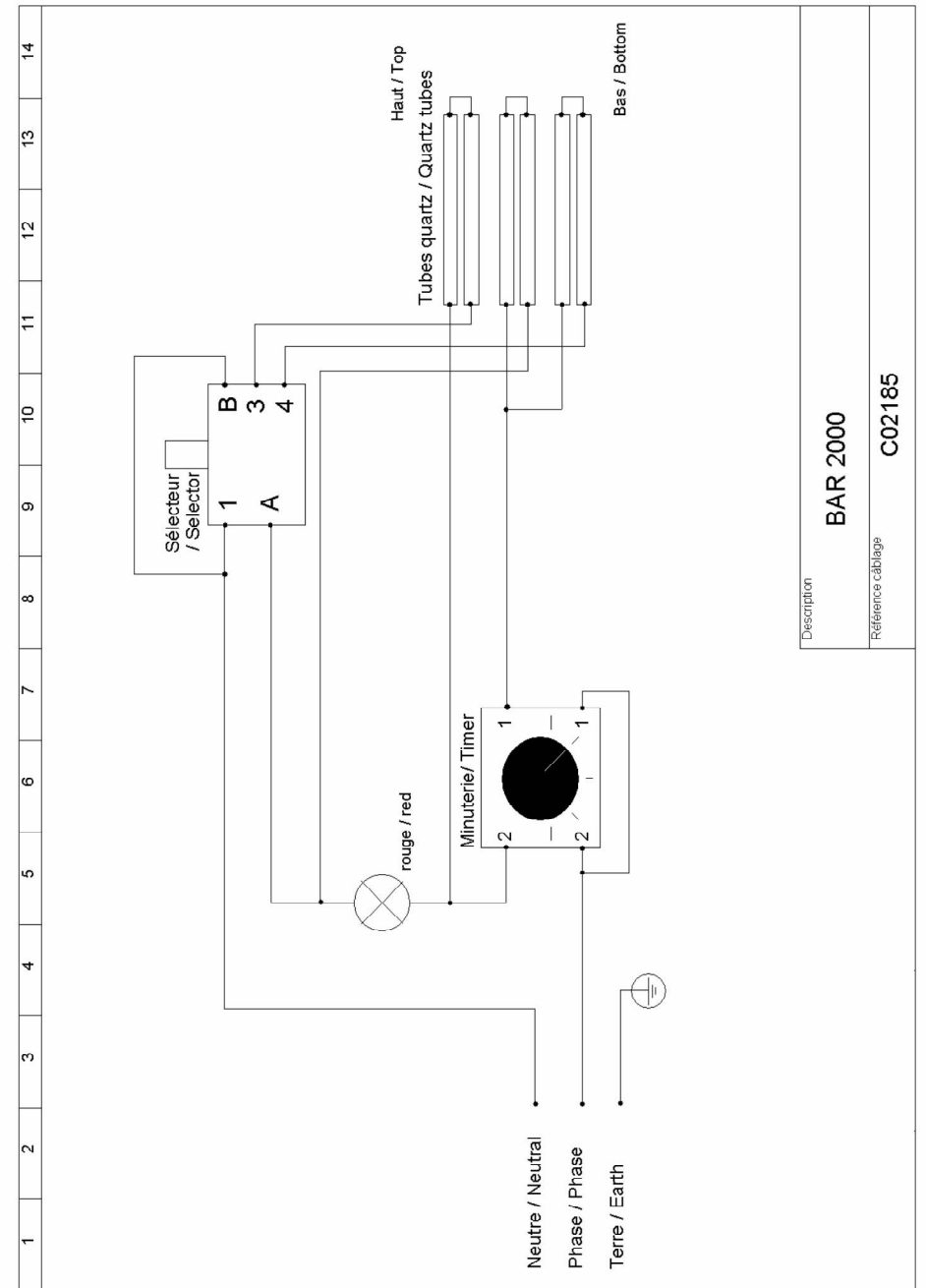
Putting on

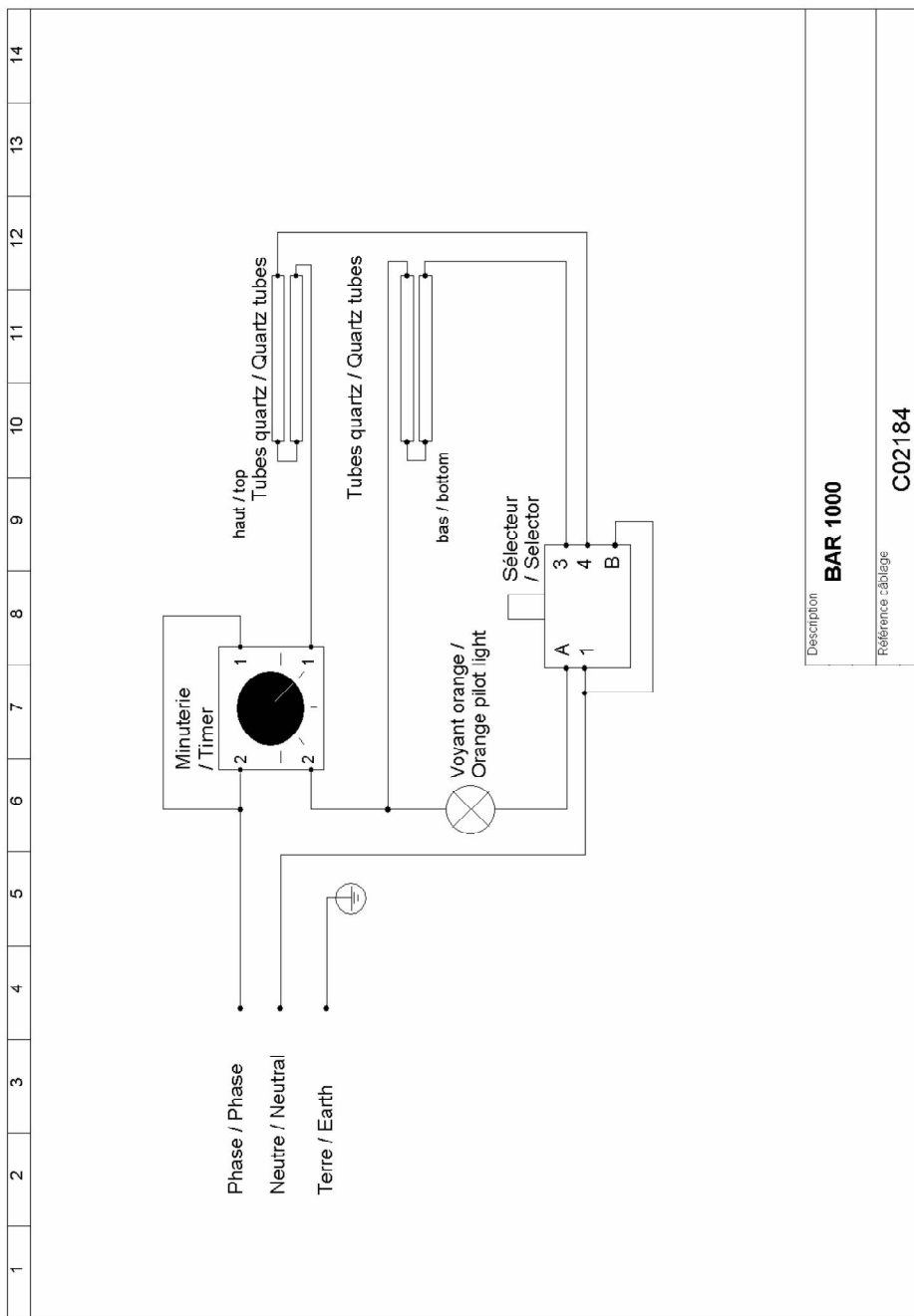
Turn on the commutator (n°1 on picture) on the wished position.
Turn on the timer control knob (n°3 on picture) on the wished cooking time
The orange pilot light (n°2 on picture) ignites. The machine is on.

You can use your toaster in continuous by turning the timer on left side from position 0. Caution : do not forget to turn off your pizza oven after use.

Temperature setting

Set the power desired by positioning the commutator (n°1 on picture) to the wished position.





Stopping the appliance

- Set the timer (n°3 on picture) on 0
- Set the commutator (n°1 on picture) on 0: the appliance is no longer functioning.
- Disconnect the power cable.
- Clean the appliance. (see 6. Cleaning)

d) Breakdown / repair:

In case of breakdown or of damaged part, please call your after-sales service and confide any technical operation to qualified person.

When you contact the after-sales service of your distributor or your store, give him the complete reference of your device (commercial name, type and serial number). This information appears on the visible descriptive plate behind the device.

6. CLEANING AND MAINTENANCE

- Disconnect the device.
- Let cool completely the device before any technical intervention or cleaning.
- Never clean the quartz tubes when they are hot
- Avoid touching quartz tubes with your fingers but use a cloth moistened with spirit.
- Clean regularly the external walls of your device with warm water and wash liquid: avoid the abrasive towelling. Rinse your device with a wet sponge.
- Never clean the device under a water jet, the infiltrations would risk to damage it in a irreparable way.
- Never immerse the device, the cord or the plug in the water or quite other liquid to avoid any electric shock.
- During a prolonged non-use, we recommend you strongly to keep the device shielded from the humidity.

7. TECHNICAL SPECIFICATIONS

Models	BAR 1000	BAR 2000
Outside dimensions	450x285x305 mm	450x285x420 mm
Weight	10 Kg	12 Kg
Power	2000 W	3000 W
Nb quartz tube	4	6
Current	8.7 A	13 A
Volt	220-240 V ~	220-240 V ~

Wires colours correspondence

Phase
Neutral
Earth

Brown/Black/Grey
Blue
Yellow-Green

The dispositions which follow are not exclusive of the profit of the legal guarantee planned by articles 1641 and following ones of the Civil code relative to the defects and the latent defects.

8. NORMS AND LEGALS DISPOSALS

The device is conform to :

IEC/EN 60335-1
IEC/EN 60335-2-48
EN 55014-1 + 55014-2
EN 61000-3-2 + 61000-3-3

9. ELIMINATION OF THE ELECTRIC AND ELECTRONIC WASTE

The device respects the directives:

2002/96/CE (DEEE) N°34270064800021
2002/95/CE (ROHS)
2006/95 CE
2004/108 CE



Reach rule

Never put the device among household waste.

The device must be put down in a centre of recycling for the electric equipments.

The materials of the device are indeed reusable. By eliminating correctly the electric and electronic wastes, the recycling and quite other shape of re-use of worn equipments, you participate in a significant way in the environmental protection.

For any information about the collection of electric and electronic waste, please contact your distributor.

10. GUARANTEE

Conditions of guarantee

The guarantee applicable to any device is the commercial guarantee of the distributor or the retailer. Please contact the store where you bought your device to know the precise conditions.

The guarantee grants no right for damages.

Exclusion clauses of the guarantee

Bad installation and bad maintenance, in particular if they do not respect current regulations or instructions appearing in this user guide.

Cannot benefit from the guarantee the repairs required as a result of false operations, of inappropriate use, of carelessness or of excess loads of the device, as well as those resulting from variations of the power supply, over tension or from defective installations.

The damage due to shocks, bad weather is not flatware by the guarantee. The material travels at the risks of the user; in case of delivery by carrier, the consignee has to have reservations towards the carrier before any delivery of the device.

The guarantee comes to an end in case of intervention, of repair, of modification by no qualified persons, or of use in inappropriate purposes.