

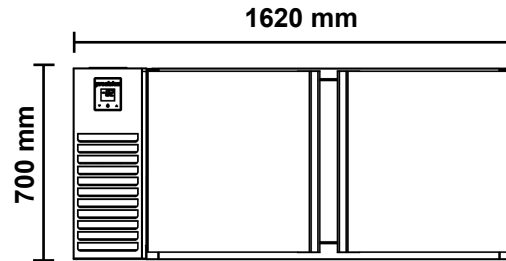
# SPECIFICATIONS

# precision

refrigeration

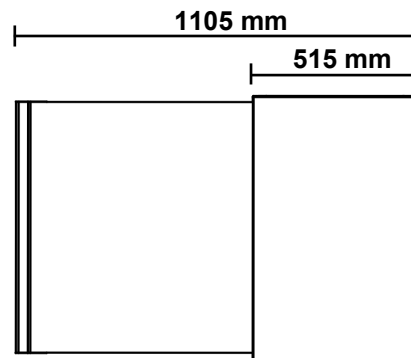
## HWU 211

Wall Cabinets Chiller



### Options:

- Glass Doors
- Pass Through
- Floor Mount Model
- Watercooled
- Extra Shelves
- Extra Slides
- Helicoil Cable
- HFO Refrigerant
- Hydrocarbon Refrigerant



### SPECIFICATIONS

|                                    |   |
|------------------------------------|---|
| <b>Refrigeration system:</b>       | Electronic controlled, self-contained, side mounted, refrigeration unit |
| <b>Refrigerant:</b>                | R134a / 160g  |
| <b>Nominal capacity:</b>           | 460 Watts @ -5°C SST  |
| <b>Cabinet internal volume:</b>    | 300 litres  |
| <b>Insulation:</b>                 | 60mm thick, high density 0 ODP injected polyurethane insulation         |
| <b>Cabinet temperature range:</b>  | +1°C to +4°C up to 43°C ambient   |
| <b>Drainage:</b>                   | Waste Heat Vaporiser located in service comp. (no plumbing required)    |
| <b>Electrical:</b>                 | 230 Volts a.c. 50 Hz, 2.2 Amps  |
| <b>kWh/24 hr :</b>                 | N/A   |
| <b>Internal door opening size:</b> | 1 door opening: Accepts full 1/1 GN pans                                |
| <b>Doors:</b>                      | Solid stainless steel, self-closing doors                               |
| <b>Worktop:</b>                    | Removable Stainless Steel Worktop                                       |
| <b>Shelves:</b>                    | 2 shelves & adjustable tray slides per door (325mm wide x 530mm deep)   |
| <b>Weight:</b>                     | 110 kg  |

### CABINET DIMENSIONS

|                    | External           | Internal |
|--------------------|--------------------|----------|
| <b>Width:</b>      | 1620mm             | 1260mm   |
| <b>Depth:</b>      | 515mm              | 400mm    |
| <b>Height:</b>     | 700mm*             | 600mm    |
| <b>Floor area:</b> | 0.61m <sup>2</sup> |          |

\* Height excludes castors, legs or SS worktop