



Reducing Height of Appliance for Narrow Doorways

Phoenix Gas Open Top Oven Ranges PHGR01

Please make a note of your product details for future reference:

Date Purchased: _____

Model Number: _____

Serial Number: _____

Dealer: _____


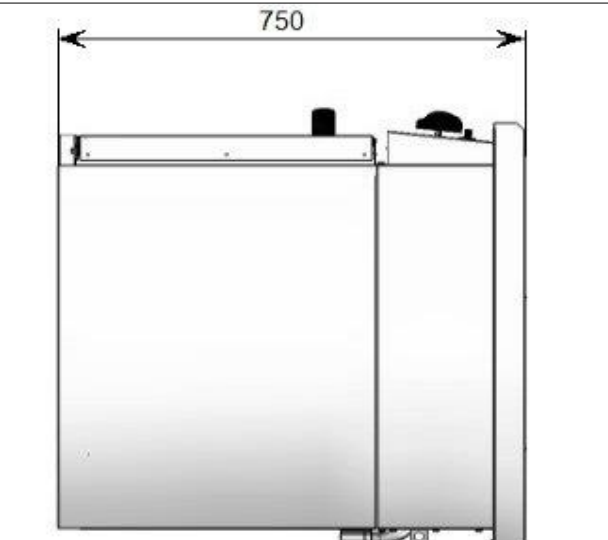


These instructions apply to the PHGR01 – A001 variants only

Reducing the height or width of the appliance to pass through narrow doorways

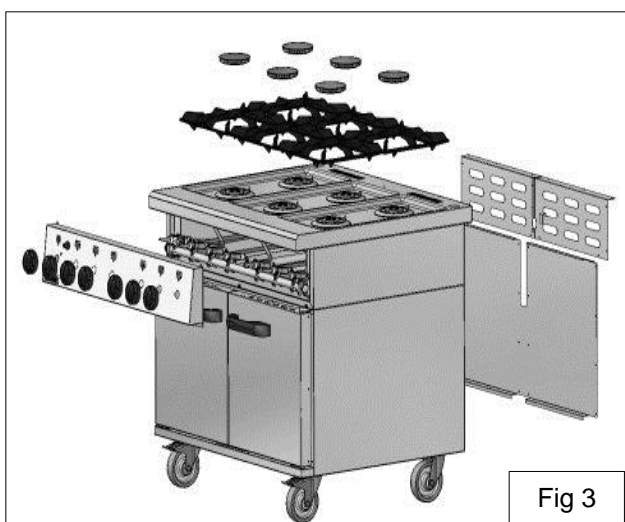
The overall height of the appliance is 900mm. This can be reduced to 750mm by removing the castors and or adjustable legs. This will be sufficient to pass through the majority of double doorways with a standard width of 770mm. See main user instruction IS738.

The minimum dimension the appliance can be further reduced to is approximately 540mm. To achieve this dimension will require the removal of the castors and or adjustable legs as above and the splitting of the appliance. Splitting of the appliance will require the breaking of the gas circuit at the oven and should only be carried out by qualified personnel.

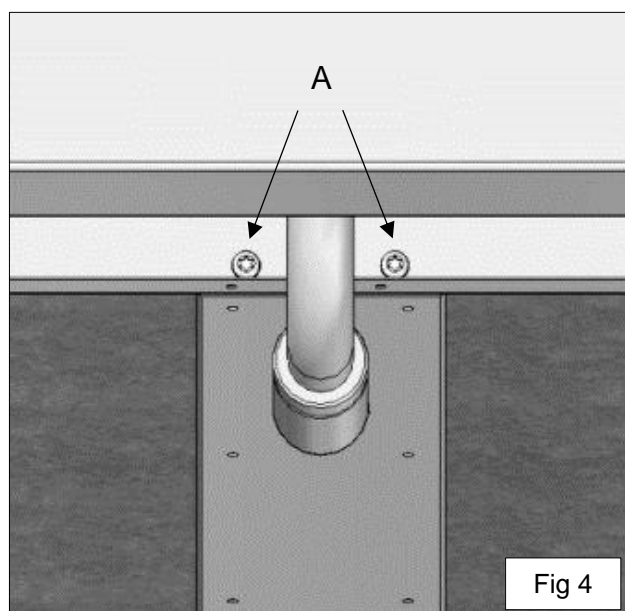
Reducing the height for restricted access	
<p>Remove the pan supports, burner caps, oven base tray and shelves. Remove the castors and or adjustable legs where fitted</p>	 <p>Fig 1</p>
<p>The minimum width of the appliance is 750mm when laid flat</p>	 <p>Fig 2</p>

Splitting the Appliance

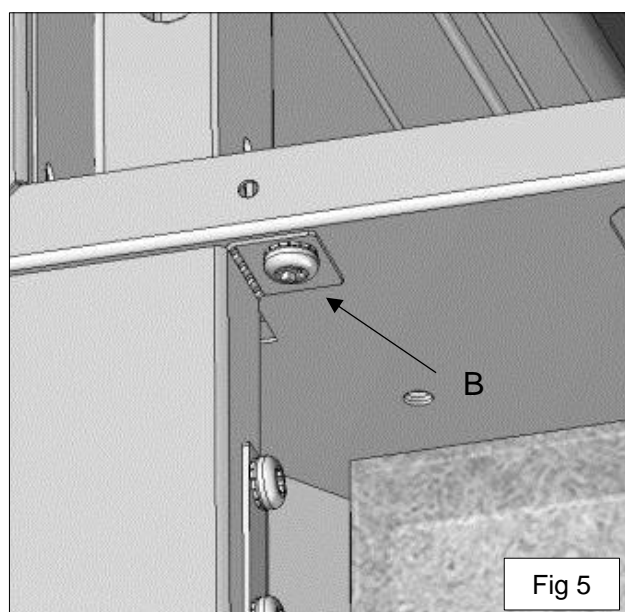
Remove the control knobs and fascia panel taking care of knob clips falling free
Remove the rear panels
Remove front and rear castors (and or legs if fitted) as necessary



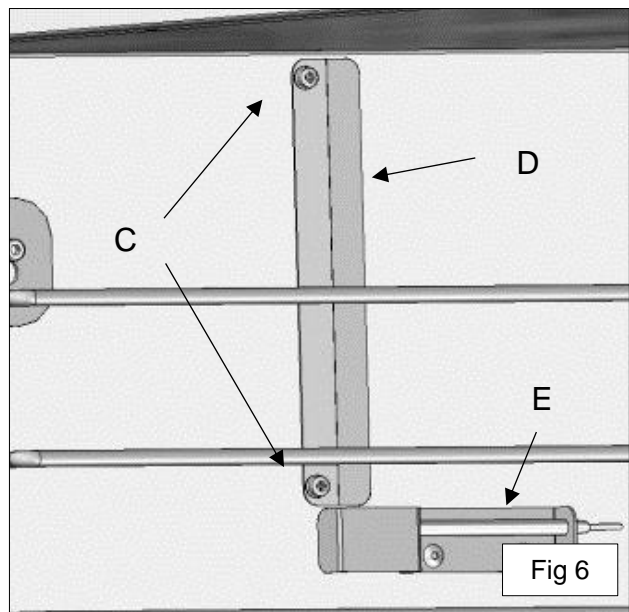
Remove the 2 screws A from the rear centre column



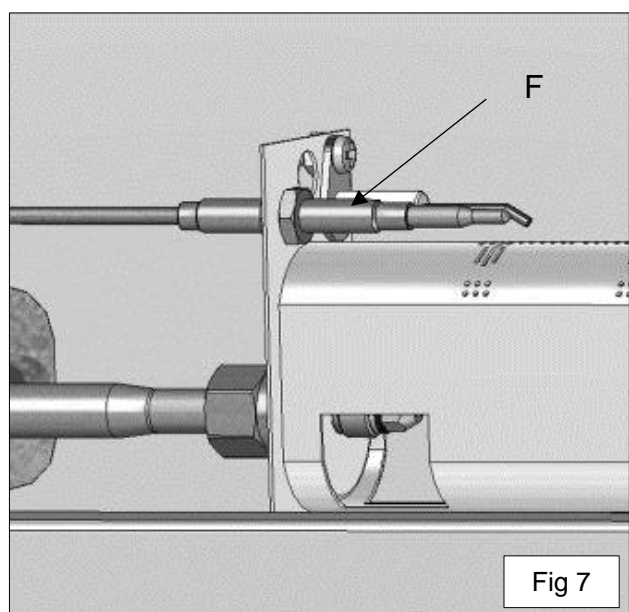
Remove the screws B from each side panel



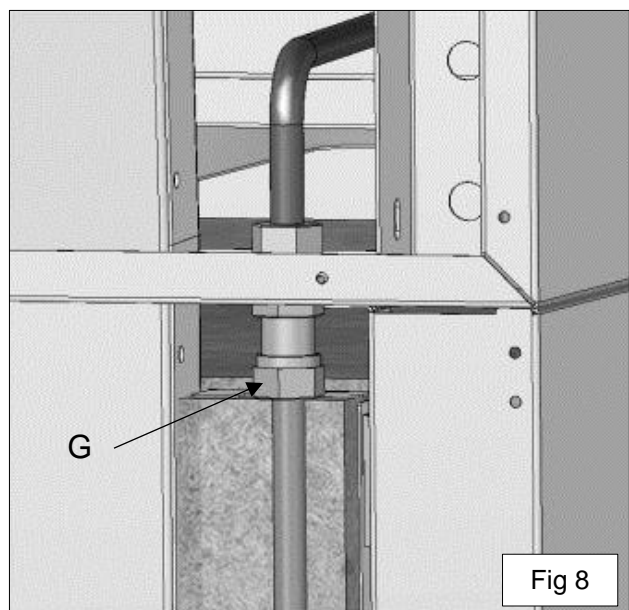
With the oven shelves removed remove the capillary cover screws C and the cover D
Free the thermostat bulb E from its bracket and feed the bulb and capillary through the top of the oven cavity into the hob burner housing



Remove the oven thermocouple F from the oven burner
Withdraw thermocouple and feed into the upper hob burner housing
Disconnect the ignitor lead from the oven ignitor and feed into the upper hob burner housing

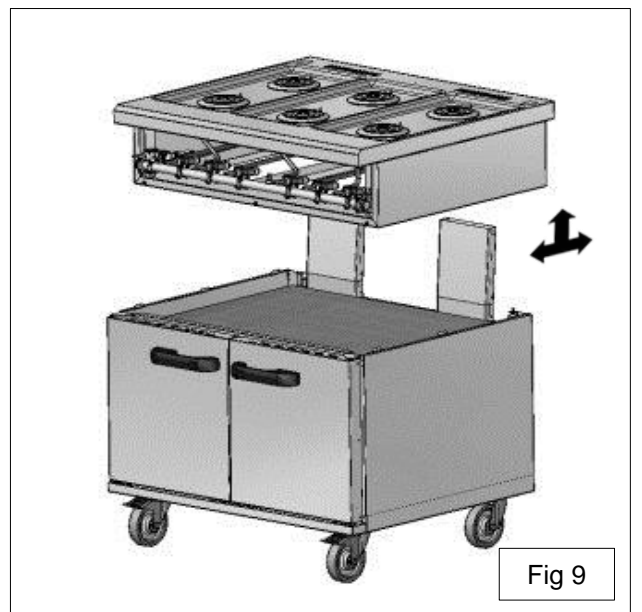


Disconnect the upper oven burner feed pipe G



Move the upper assembly to the rear to free from the lugs and lift the entire assembly over the oven flues. Care should be taken not to snag the oven thermocouple, oven ignitor lead and thermostat bulb and capillary.

The upper and lower assemblies can now be manipulated through a narrow doorway



Once the appliance assemblies are in situ they can be re-assembled

The oven pipe connections must be soundness checked for a leak free joints. A bubble spray method may be employed.

Verification must be performed by qualified personnel only

SERVICE INFORMATION

For help with the installation, maintenance and use of your **Lincat** equipment, please contact our service department:

☎ UK: 01522 875520

For non-UK customers, please contact your local Lincat dealer
All service work, other than routine cleaning **MUST** be carried out by qualified personnel and a record kept of any remedial actions taken and at least cover the requirements of the service schedule of this document. We cannot accept responsibility for work carried out by other persons.

To ensure your service enquiry is handled as efficiently as possible, please tell us:

- Brief details of the problem
 - Product code
 - Type number
 - Serial number
- } All available on serial plate

Lincat reserve the right to carry out any work under warranty, given reasonable access to the appliance, during normal working hours, Monday to Friday, 08:30 to 17:00.

DECLARATION

All Lincat products capable of burning gaseous fuels, satisfy the requirements of the Gas Appliance Regulations 2016/426.

GUARANTEE

This unit carries a comprehensive UK mainland warranty. The guarantee is in addition to, and does not diminish your statutory or legal rights. Contact Lincat for terms and conditions

The guarantee does not cover:

- Accidental damage, misuse or use not in accordance with the manufacturer's instructions
- Consumable items (such as filters, glass, bulbs, slot toaster elements and door seals.)
- Damage due to incorrect installation, modification, unauthorised service work or damage due to scale, food debris build-up, etc.

The manufacturer disclaims any liability for incidental, or consequential damages. Attendance is based on reasonable access to the appliance to allow the authorised personnel to carry out the warranty work.

Service calls to equipment under warranty will be carried out in accordance with the conditions of sale. Unless otherwise specified, a maximum of 15 minutes of administrative time, not spent directly carrying out servicing work, is provided for within the warranty. Any requirement for staff attending the call to spend greater time than 15 minutes due to administrative requirements, such as on health and safety risk assessments, will be chargeable at the prevailing rate.