

Panther 670 Series Plain Top Hot Cupboards

Key Features

- Type: Electric
- Plain top/work surface
- Adjustable electronic thermostatic temperature control
- Sliding doors to front (removable)
- Supplied with two shelves
- Supplied with swivel and lockable castors
- Supplied with mains flexi-cord (1 – 2M)
- Cupboard double skinned and insulated
- Supplied with push bar



P6P4

Construction

- Body: stainless steel grade 430
- Interior: mirror stainless steel
- Chrome plated shelves

Available Options

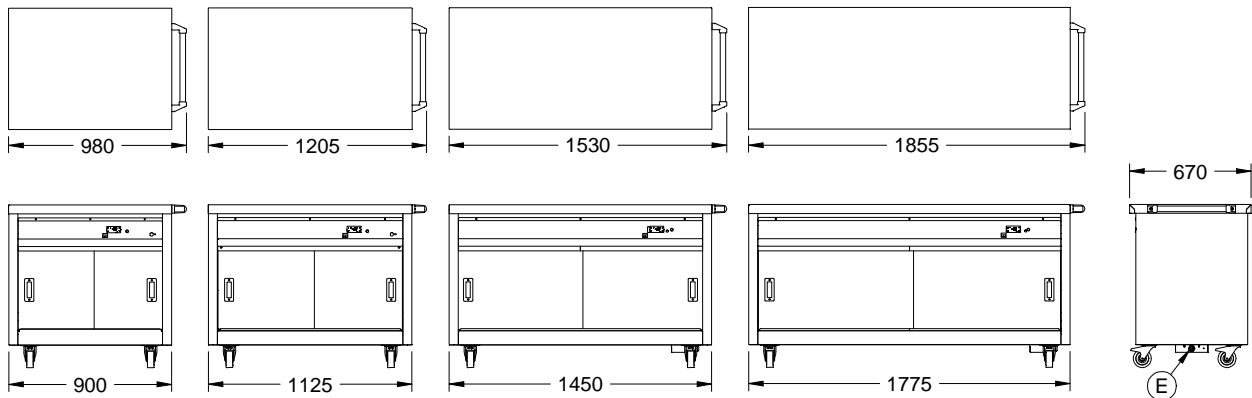
- Choice of sizes
- Static version with adjustable legs
- Coloured front panels
- Heated gantry or overshelf
- Ambient gantry or overshelf
- PTS2,3,4,5 – Drop down tray slides
- PDL- Door Lock

Available Accessories

- PPB6 - Additional push bar handle.
- Choice of GN configurations (available separately)

Specifications

Model	P6P2	P6P3	P6P4	P6P5
External height (mm)	900	900	900	900
External width (mm)	900	1125	1450	1775
External depth (mm)	670	670	670	670
Usable oven capacity h x w x d (mm)	440 x 820 x 540	440 x 1020 x 540	440 x 1345 x 540	440 x 1670 x 540
Oven shelf size w x d (mm)	788 x 512	967 x 512	1286 x 512	1610 x 512
Net weight unpacked (kg)	71	86	105	124
Gross weight packed (kg)	84	103	124	149
Shipping volume (m ³)				
Total electrical power rating (kW)	1.5	1.5	2.5	2.5
Electrical supply 1N~+E 230V 50-60Hz Current Rating (A)	6.5	6.5	10.9	10.9



Lincat Limited, Whisby Road,
Lincoln LN6 3QZ,
United Kingdom

UK Sales Tel: 01522 875500 UK Spares Tel: 01522 875510 UK General Tel: 01522 875555
 UK Fax: 01522 875530 International Sales Tel: +44 1522 503250 International Fax: +44 1522 875530
 Website: www.lincat.co.uk UK Sales e-mail: sales@lincat.co.uk International Sales e-mail: export@lincat.co.uk



Document ref:
PANTHER-GM
Issue date: April 14