



Installation, Operating and Servicing Instructions

Opus 800 Electric Oven Ranges OE8008, OE8010

Please make a note of your product details for
future use:

Date Purchased: _____

Model Number: _____

Serial Number: _____

Dealer: _____

Opus **800**

CONTENTS

Important Information	2
Warnings and Precautions	3
Technical Data	3
Checklist of Enclosures	3
Installation and Commissioning	4
Operating Instructions	6
Cleaning	6
Servicing, Maintenance and Component Replacement	8
Fault Finding	11
Spare Parts List	12
Accessories	12
Service Information and Guarantee	13

IMPORTANT INFORMATION



Read these instructions carefully before using this product, paying particular attention to all sections that carry warning symbols, caution symbols and notices. Ensure that these are understood at all times.



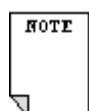
WARNING!

This symbol is used whenever there is a risk of personal injury.



CAUTION!

This symbol is used whenever there is a risk of damaging your Lincat product.



NOTE:

This symbol is used to provide additional information, hints and tips.

KEEP THIS MANUAL FOR FUTURE REFERENCE

WARNINGS AND PRECAUTIONS



This appliance must be installed, commissioned and serviced by a qualified person in accordance with national and local regulations in force in the country of installation.

If the supply cord is damaged, it must be replaced by the manufacturer, its service agent or similarly qualified person.

Ensure that the plug/socket is accessible at all times.

Strip plastic coating and clean the appliance before use.

During operation parts may become hot - avoid accidental contact.

Disconnect this appliance before servicing, maintenance or cleaning.

TECHNICAL DATA

	OE8008		OE8010	
Height (mm)	900			
Width (mm)	900		600	
Depth (mm)	800			
Weight (kg)	154		109	
Oven Rating (kW)	6.0		4.0	
Hob Element - individual (kW)	2.6			
Total power rating @ 400V 3 phase (kW)	Phase 1	7.2	Phase 1	4.0
	Phase 2	7.2	Phase 2	5.2
	Phase 3	7.2	Phase 3	5.2
Fan rating (W)	2 x 32		32	
Voltage 3N~ Amps 3N~	Phase 1	31A	Phase 1	17.4A
	Phase 2	31A	Phase 2	22.6A
	Phase 3	31A	Phase 3	22.6A
Total power rating (kW)	21.6		14.4	

CHECK LIST OF ENCLOSURES

Warranty card
Instructions manual
Wire shelves

INSTALLATION AND COMMISSIONING

This appliance must be earthed.

Install this appliance on a level surface ensuring all vents are unobstructed. Any partitions, walls or furniture must be of non-combustible material. Minimum distances A 100mm B 1000mm – see Fig 1.

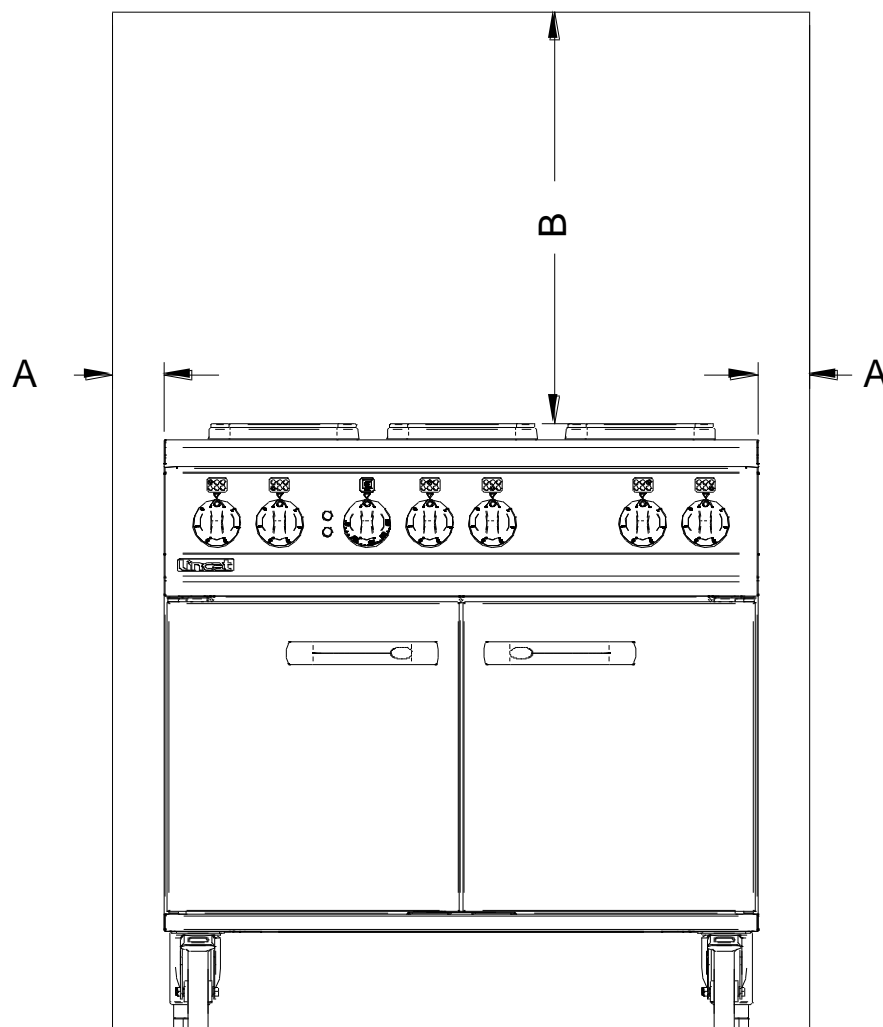


Fig 1



An equipotential bonding terminal is provided to allow cross bonding with other equipment.

If replacing the plug connect the terminals as follows:

Green and Yellow wire	Earth	E
Blue wire	Neutral	N
Brown wire	Live	L

Means of isolation with at least 3mm contact separation in all poles must be incorporated into the fixed wiring of this appliance.

The fixed wiring insulation must be protected by insulated sleeving having a temperature rating of 60 Deg C.

Supply cords shall be oil resistant, sheathed flexible cable not lighter than ordinary polychloroprene or equivalent elastomer sheathed cord (code 60245 IEC 57)

If this appliance is fitted with castors, use caution at all times when manipulating or moving, and lock castors when appliance is in position.

Connection to the electrical supply is made at the rear of the appliance. Remove the protective cover and fit a suitable cable to the strain relief. Connect to the inlet terminal block. This appliance is supplied for connection to a three phase supply.

OPERATING INSTRUCTIONS

Only qualified or trained personnel should use this appliance.

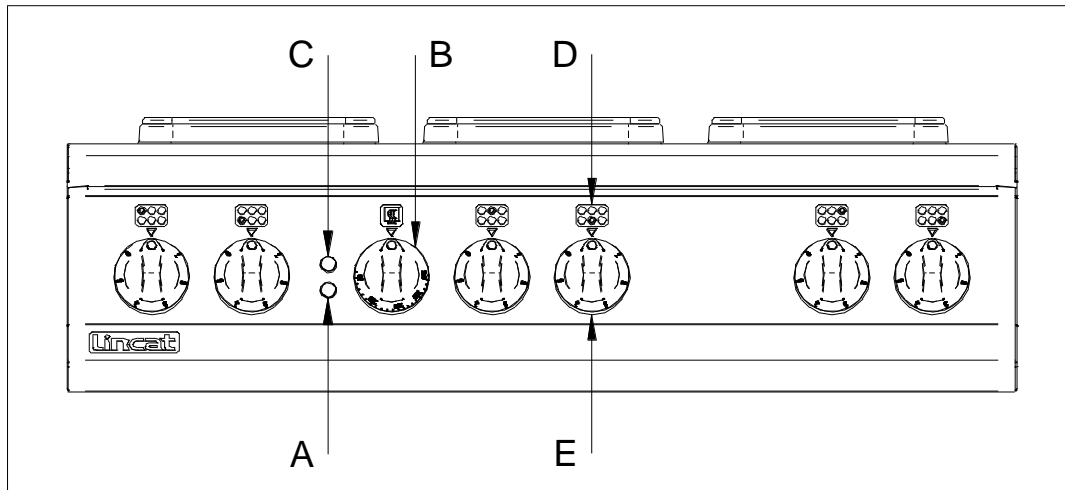


Fig 2

Before using the appliance for the first time, turn the hotplates to full setting for 4 minutes without pans to allow them to cure and harden to maximum durability.

Hotplates

Switch on the electricity supply – the green neon (A) illuminates.

The hotplates are controlled by 6 position rotary switched controls (E), each marked by an individual hob marker (D).

For maximum efficiency, always use good quality pans with lids.

Oven operation

Switch on at the main supply and check the green neon (A) is illuminated. Set the oven control (B) to the desired temperature. The amber neon (C) will illuminate.

The amber neon extinguishes when the set temperature is reached and then cycles as the element maintains the oven temperature.

Be aware of the escape of hot air when opening the oven doors.

Shutdown

After use, turn all control knobs to the 'Off' position and switch off the mains electricity supply.

CLEANING

Your Lincat product has a manufacturer's warranty. This requires you to maintain and care for your product and follow maintenance instructions. If you fail to maintain your unit or damage components Lincat may charge you for a warranty repair. Please check the website for terms and conditions.



Do not use a water jet or steam cleaner, and do not immerse this appliance.

Clean all panels with warm water and mild detergent do not use abrasive materials. Dry with a soft cloth.

After cleaning, apply a thin film of vegetable oil to the hotplates.

The oven features removable liners for sides and base. Slide out the top liner and bottom liner and remove the wire shelves (Fig 3) by pushing to the rear, tilting up at the back then drawing forward.

Remove the shelf supports by lifting up to disengage. Lift off each of the side liners.

For stubborn deposits, a de-greasing agent 'Carbon-Off' is available from Lincat.

Replace interior panels correctly after cleaning.

Check the condition of the door seal and replace if required.

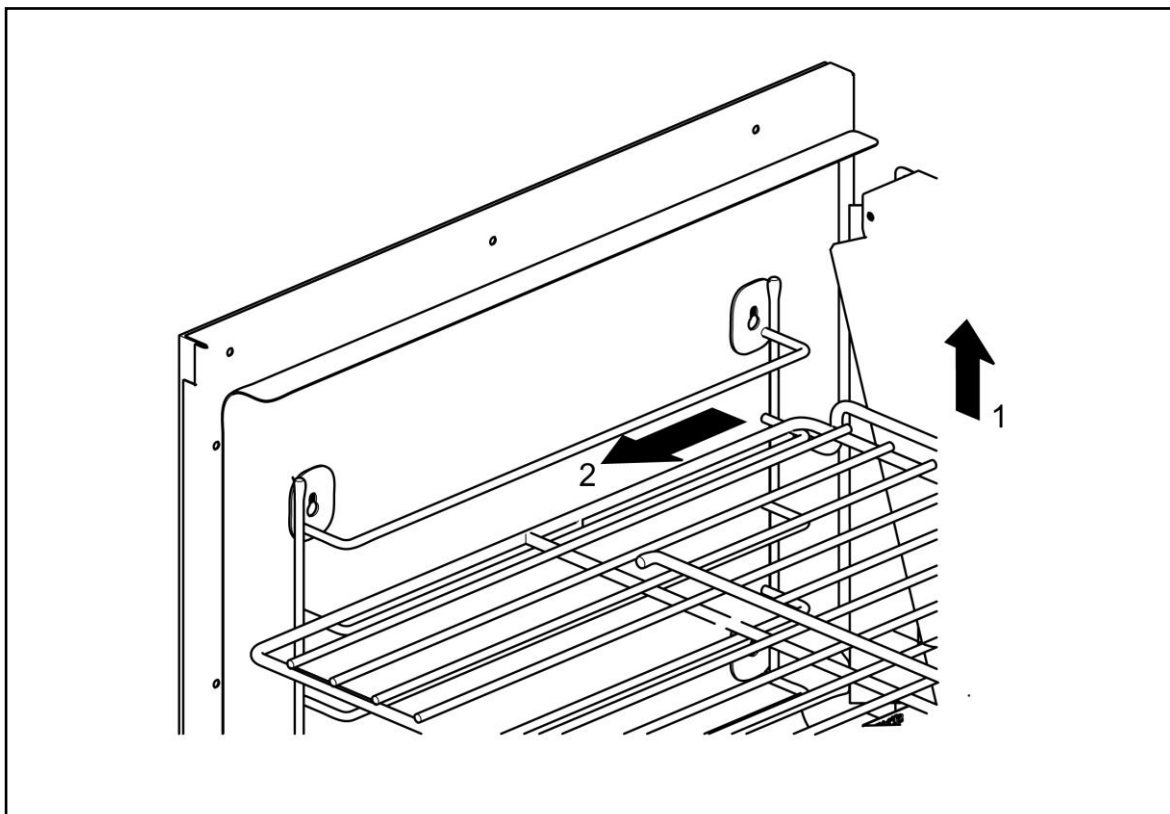


Fig 3

SERVICING, MAINTENANCE AND COMPONENT REPLACEMENT

All servicing, maintenance and component replacement on this appliance should be carried out by one of our recommended service engineers.

Replacement of some components requires removal of the fascia panel and heat shield (see Fig 4). Remove the control knobs (A) and all screws beneath the fascia (B). Be aware when lowering the fascia that electrical connections will still be made. When replacing heat shield and fascia ensure cables are not trapped.

After any maintenance, check the appliance for electrical safety.

Hotplate Switch

Remove the fascia.

Remove faulty switch and transfer wires correctly, ideally one at a time to the new switch.

Fit new switch to fascia and refit fascia.

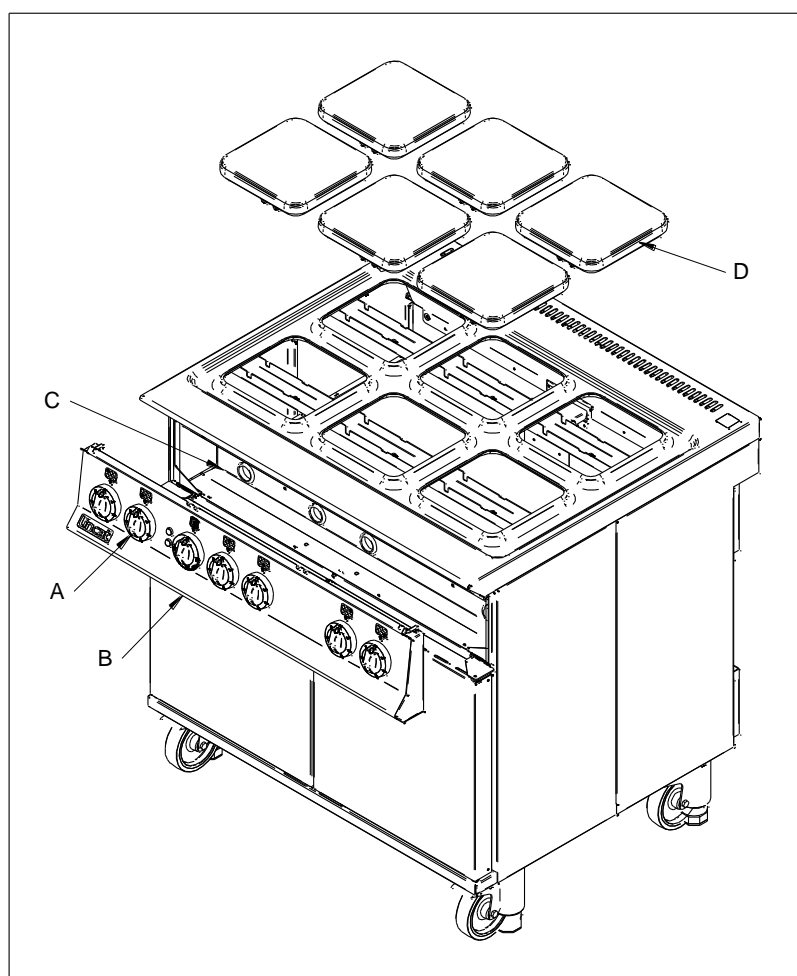


Fig 4

Thermostat

Remove fascia and heat shield (C).

Unclip thermostat phial and remove thermostat, keeping the insulated sleeving to reuse on the new thermostat.

Fit new thermostat, ensuring capillary is sleeved and routed to avoid internal electrical shorting.

Refit fascia.

Hotplate

Remove fascia and heat shield (C) to access hotplate restraining nut.

Remove restraining nut and press the underside of the hotplate (D) up to facilitate easy removal from above. Access to the hotplate connection block is now possible.

Fit new hotplate, ensuring wiring connections are correct.

Replacement is a reversal of the above.

Oven fans

Remove the oven shelves (Fig 3).

Loosen the fan guard screws and lift off the keyhole slots.

Remove the hex head nut from the centre of the fan (LH thread). Remove the fan blade.

Working from the back of the appliance (Fig 5), remove the cable channel (E) and rear cover (F).

Remove the electrical connections from the appropriate motor. Remove the 3 securing screws and extract the motor unit.

Reverse the procedure to fit new motor.

Contactor

Working from the back of the appliance (Fig 5), remove the cable channel (E) and rear cover (F).

Remove the electrical connections from the contactor and connect to new contactor.

Unclip old contactor, fit new contactor and rear cover.

Safety thermostat

Remove the thermostat bulb from the top of the oven.

Working from the back of the appliance (Fig 5), remove the cable channel (E) and rear cover (F).

Remove the connections from the thermostat.

Remove the front control panel and pull the thermostat bulb out and through the oven back.

Refitting is the reversal of the above.

Control thermostat

Remove the thermostat bulb from the top of the oven.

Remove the facia and unscrew the thermostat.

Remove the electrical connections and withdraw the capillary to remove thermostat from appliance.

Fit new thermostat by reversing the above procedure.

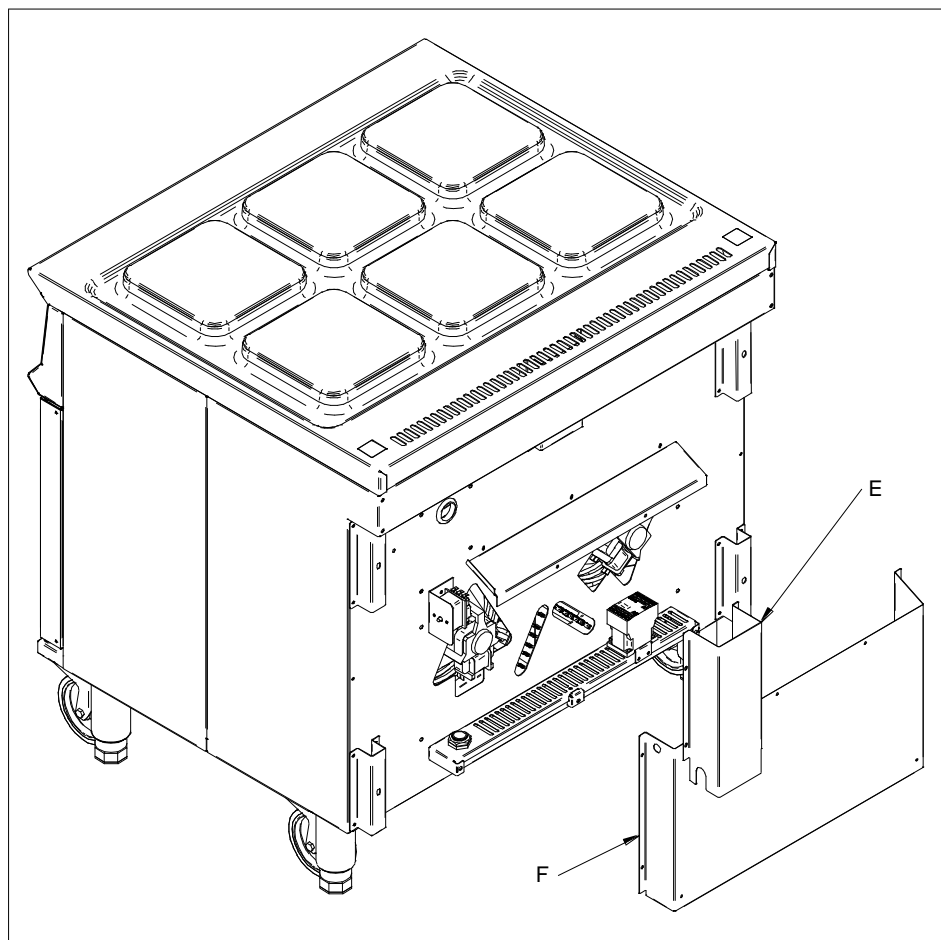


Fig 5

FAULT FINDING

Please refer to the Service Help Desk number on the final page of this manual.

Even during correct use of the appliance, malfunctions and breakdowns may occur. Common situations are listed below, and checks a user should make before contacting the technical support centre are indicated.

If after checking, the problem remains, switch the appliance off immediately and disconnect it from the power supply. Contact the Service Help Desk.

Oven fails to heat up

Is the oven cool and the thermostat turned on but the amber neon is off.

Is there power to the unit (green neon is lit?).

Is the thermostat turned on and calling for heat (amber neon off?).

Remove grommet (G) from the cover at the rear of the appliance and press the re-set button (H).

Check the amber light is now lit and that the oven is heating up.

If not switch off and call the Service Help Desk.

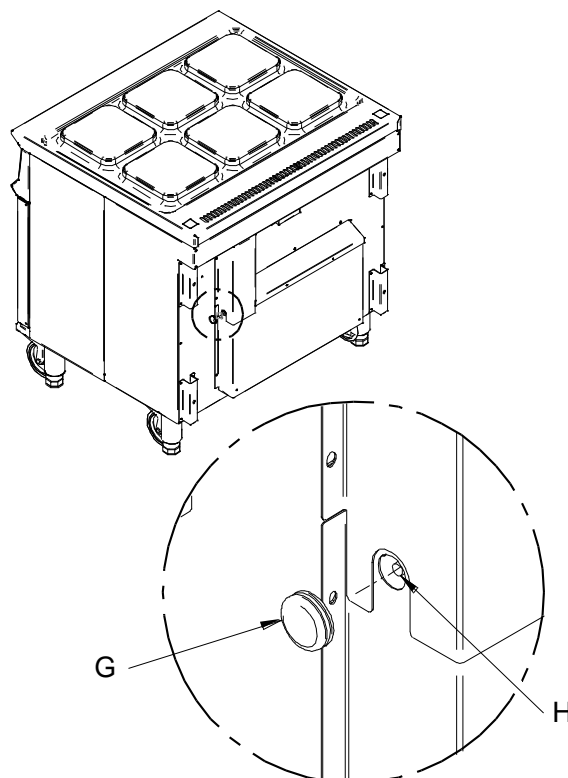


Fig 6

SPARE PARTS LIST

Part Number	Description	Used on	
BU55	Door bush	All	
BU72	Door bush		
CA143	Front braked castor		
CA145	Rear un-braked castor		
CO215	Contacto		
EL188	Hotplate element		
EL295	Element 4kW	OE8010	
EL248	Element 3kW	OE8008	
FA102	Fan impeller	All	
FA12	Oven motor		
GL80	Cable restraint		
HA77	Door handle		
KN505	Oven control knob		
KN514	Hob control knob		
NE46	Green neon		
NE47	Amber neon		
LE37	Leg		
SE25	Door seal		
SH81	Oven shelf		OE8008
SH112	Oven shelf		OE8010
SP56	Leg spanner	All	
SR07	Side rack		
SW14	Hob switch		
SW58	Fan switch		
TE47	Terminal block		
TH46	Control thermostat		
TH63	Safety thermostat		

ACCESSORIES

Part Number	Description	Used on
OA8901	Splashback/plate shelf	OE8010
OA8902	Splashback/plate shelf	OE8008

SERVICE INFORMATION

For help with the installation, maintenance and use of your **Lincat** equipment, please contact our service department:

☎ UK: 01522 875520

For non-UK customers, please contact your local Lincat dealer

All service work, other than routine cleaning should be carried out by one of our authorised service agents. We cannot accept responsibility for work carried out by other persons.

To ensure your service enquiry is handled as efficiently as possible, please tell us:

- Brief details of the problem
 - Product code
 - Type number
 - Serial number
- } All available on serial plate

Lincat reserve the right to carry out any work under warranty, given reasonable access to the appliance, during normal working hours, Monday to Friday, 08:30 to 17:00.

GUARANTEE

This unit carries a comprehensive UK mainland 2 year warranty. The guarantee is in addition to, and does not diminish your statutory or legal rights.

The guarantee does not cover:

- Accidental damage, misuse or use not in accordance with the manufacturer's instructions
- Consumable items (such as filters, glass, bulbs, slot toaster elements and door seals.)
- Damage due to incorrect installation, modification, unauthorised service work or damage due to scale, food debris build-up, etc.

The manufacturer disclaims any liability for incidental, or consequential damages. Attendance is based on reasonable access to the appliance to allow the authorised technician to carry out the warranty work.

Service calls to equipment under warranty will be carried out in accordance with the conditions of sale. Unless otherwise specified, a maximum of 15 minutes of administrative time, not spent directly carrying out servicing work, is provided for within the warranty. Any requirement for staff attending the call to spend greater time than 15 minutes due to administrative requirements, such as on health and safety risk assessments, will be chargeable at the prevailing rate.