



Installation, Operating and Servicing Instructions

Opus 800 Electric Boiling Tops OE8011, OE8012

Please make a note of your product details for
future use:

Date Purchased: _____

Model Number: _____

Serial Number: _____

Dealer: _____

Opus **800**

CONTENTS

Important Information	2
Warnings and Precautions	3
Technical Data	3
Checklist of Enclosures	3
Installation and Commissioning	4
Operating Instructions	5
Cleaning	5
Servicing, Maintenance and Component Replacement	6
Fault Finding	8
Spare Parts List	8
Accessories	8
Service Information and Guarantee	9

IMPORTANT INFORMATION



Read these instructions carefully before using this product, paying particular attention to all sections that carry warning symbols, caution symbols and notices. Ensure that these are understood at all times.



WARNING!

This symbol is used whenever there is a risk of personal injury.



CAUTION!

This symbol is used whenever there is a risk of damaging your Lincat product.



NOTE:

This symbol is used to provide additional information, hints and tips.

KEEP THIS MANUAL FOR FUTURE REFERENCE

WARNINGS AND PRECAUTIONS



This appliance must be installed, commissioned and serviced by a qualified person in accordance with national and local regulations in force in the country of installation.

If the supply cord is damaged, it must be replaced by the manufacturer, its service agent or similarly qualified person.

Ensure that the plug/socket is accessible at all times.

Strip plastic coating and clean the appliance before use.

During operation parts may become hot - avoid accidental contact.

Disconnect this appliance before servicing, maintenance or cleaning.

TECHNICAL DATA

	OE8011		OE8012		
Height (mm)	400				
Width (mm)	900		600		
Depth (mm)	800				
Weight (kg)	70		49		
Hob Element - individual (kW)	2.6				
Total power rating @ 400V 3 phase (kW)	Phase 1	5.2	Phase 1	5.2	
	Phase 2	5.2	Phase 2	5.2	
	Phase 3	5.2	Phase 3	N/A	
Voltage 3N~	Phase 1	22.6A	Phase 1	22.6A	
	Phase 2	22.6A	Phase 2	22.6A	
Amps 3N~	Phase 3	22.6A	Phase 3	N/A	
	Total power rating (kW)		10.4		
		15.6			

CHECK LIST OF ENCLOSURES

Warranty card
Instructions manual

INSTALLATION AND COMMISSIONING

This appliance must be earthed.

Install this appliance on a level surface ensuring all vents are unobstructed. Any partitions, walls or furniture must be of non-combustible material. Minimum distances A 100mm B 1000mm – see Fig 1.

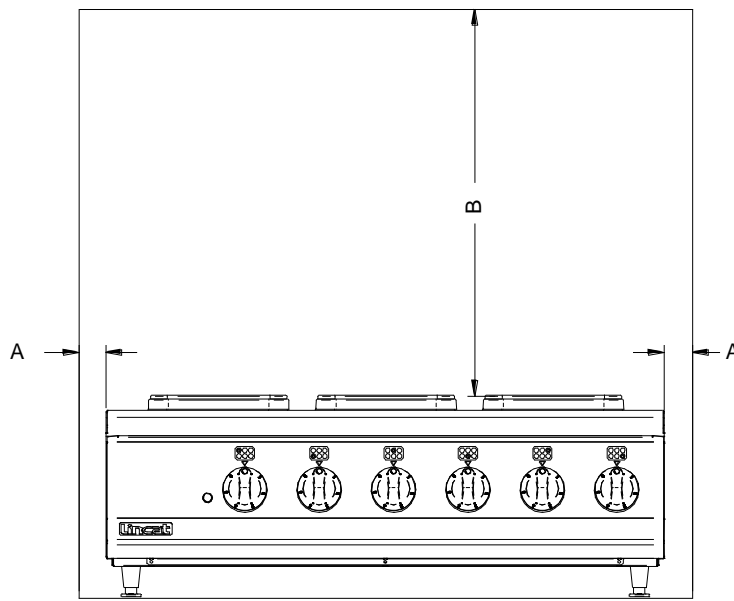


Fig 1



An equipotential bonding terminal is provided to allow cross bonding with other equipment.

If replacing the plug connect the terminals as follows:

Green and Yellow wire	Earth	E
Blue wire	Neutral	N
Brown wire	Live	L

Means of isolation with at least 3mm contact separation in all poles must be incorporated into the fixed wiring of this appliance.

The fixed wiring insulation must be protected by insulated sleeving having a temperature rating of 60 Deg C.

Supply cords shall be oil resistant, sheathed flexible cable not lighter than ordinary polychloroprene or equivalent elastomer sheathed cord (code 60245 IEC 57)

Connection to the electrical supply is made at the rear of the appliance. Remove the protective cover and fit a suitable cable to the strain relief. Connect to the inlet terminal block. This appliance is supplied for connection to a three phase supply.

OPERATING INSTRUCTIONS

Only qualified or trained personnel should use this appliance.

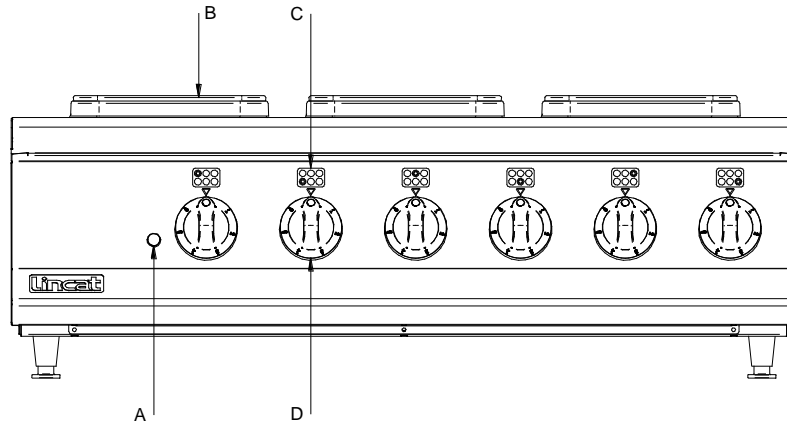


Fig 2

Before using the appliance for the first time, turn the hotplates to full setting for 4 minutes without pans to allow them to cure and harden to maximum durability.

Hotplates

Switch on the electricity supply – the green neon (A) illuminates.

The hotplates (B) are controlled by 6 position rotary switched controls (D), each marked by an individual hob marker (C).

For maximum efficiency, always use good quality pans with lids.

Shutdown

After use, turn all control knobs to the 'Off' position and switch off the mains electricity supply.

CLEANING

Your Lincat product has a manufacturer's warranty. This requires you to maintain and care for your product and follow maintenance instructions. If you fail to maintain your unit or damage components Lincat may charge you for a warranty repair. Please check the website for terms and conditions



Do not use a water jet or steam cleaner, and do not immerse this appliance.

Clean all panels with warm water and mild detergent do not use abrasive materials. Dry with a soft cloth.

After cleaning, apply a thin film of vegetable oil to the hotplates.

For stubborn deposits, a de-greasing agent 'Carbon-Off' is available from Lincat.

SERVICING, MAINTENANCE AND COMPONENT REPLACEMENT

All servicing, maintenance and component replacement on this appliance should be carried out by one of our recommended service engineers.

Replacement of some components requires removal of the fascia panel and heat shield (see Fig 3). Remove the screws beneath the fascia (B) and lift off. Be aware when lowering the fascia that electrical connections will still be made. When replacing heat shield (F) and fascia ensure cables are not trapped.

After any maintenance, check the appliance for electrical safety.

Hotplate Switch

Remove the fascia.

Remove faulty switch and transfer wires correctly, ideally one at a time to new switch.

Fit new switch to fascia and refit fascia.

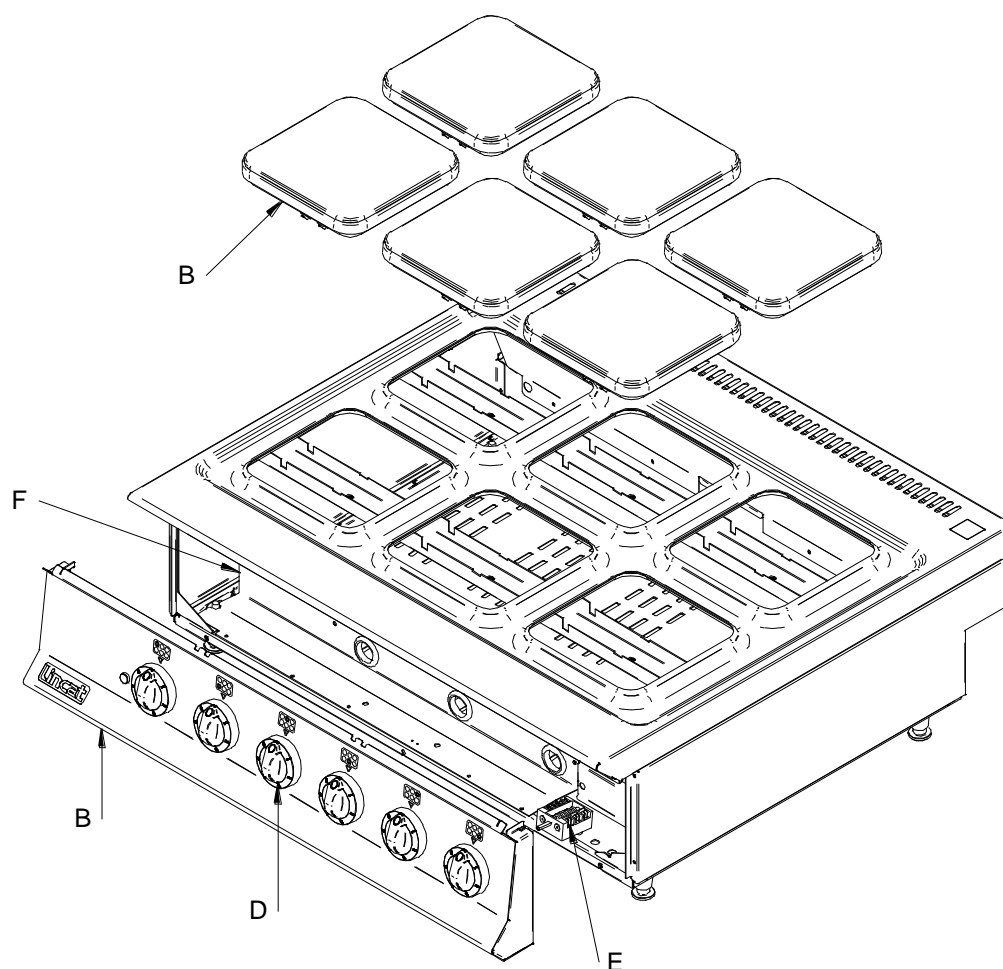


Fig 3

Hotplate

Remove fascia and heat shield (F) to access hotplate restraining nut.

Remove restraining nut and press the underside of the hotplate (B) up to facilitate easy removal from above. Access to the hotplate connection block is now possible.

Fit new hotplate, ensuring wiring connections are correct.

Replacement is a reversal of the above.

Neon

Remove the fascia.

Remove faulty neon and transfer wires correctly, ideally one at a time to the new neon.

Fit new neon to fascia and refit fascia.

FAULT FINDING

Please refer to the Service Help Desk number on the final page of this manual.

SPARE PARTS LIST

Part Number	Description	Used on
EL188	Hotplate element	All
KN514	Hob control knob	
NE46	Green neon	
LE38	Leg	
SW14	Hob switch	
TE47	Terminal block	

ACCESSORIES

Part Number	Description	Used on
OA8917	Floor stand	OE8012
OA8914	Floor stand	OE8011

SERVICE INFORMATION

For help with the installation, maintenance and use of your **Lincat** equipment, please contact our service department:

☎ UK: 01522 875520

For non-UK customers, please contact your local Lincat dealer

All service work, other than routine cleaning should be carried out by one of our authorised service agents. We cannot accept responsibility for work carried out by other persons.

To ensure your service enquiry is handled as efficiently as possible, please tell us:

- Brief details of the problem
 - Product code
 - Type number
 - Serial number
- } All available on serial plate

Lincat reserve the right to carry out any work under warranty, given reasonable access to the appliance, during normal working hours, Monday to Friday, 08:30 to 17:00.

GUARANTEE

This unit carries a comprehensive UK mainland 2 year warranty. The guarantee is in addition to, and does not diminish your statutory or legal rights.

The guarantee does not cover:

- Accidental damage, misuse or use not in accordance with the manufacturer's instructions
- Consumable items (such as filters, glass, bulbs, slot toaster elements and door seals.)
- Damage due to incorrect installation, modification, unauthorised service work or damage due to scale, food debris build-up, etc.

The manufacturer disclaims any liability for incidental, or consequential damages. Attendance is based on reasonable access to the appliance to allow the authorised technician to carry out the warranty work.

Service calls to equipment under warranty will be carried out in accordance with the conditions of sale. Unless otherwise specified, a maximum of 15 minutes of administrative time, not spent directly carrying out servicing work, is provided for within the warranty. Any requirement for staff attending the call to spend greater time than 15 minutes due to administrative requirements, such as on health and safety risk assessments, will be chargeable at the prevailing rate.