

## Lynx 400 Infra-Red Grills

### Key Features

- Type: Electric
- Counter top unit or wall mounted
- Simmerstat control to upper and lower elements (infra – red)
- Fat collection tray (removable)
- Timer (20 min)
- Variable heat control
- Supplied with toasting rack



LPC/LSC

### Construction

- Body: stainless steel grade 430
- Rack: chrome plated
- Facia: enamelled steel
- Handles: steel coil

### Available Options

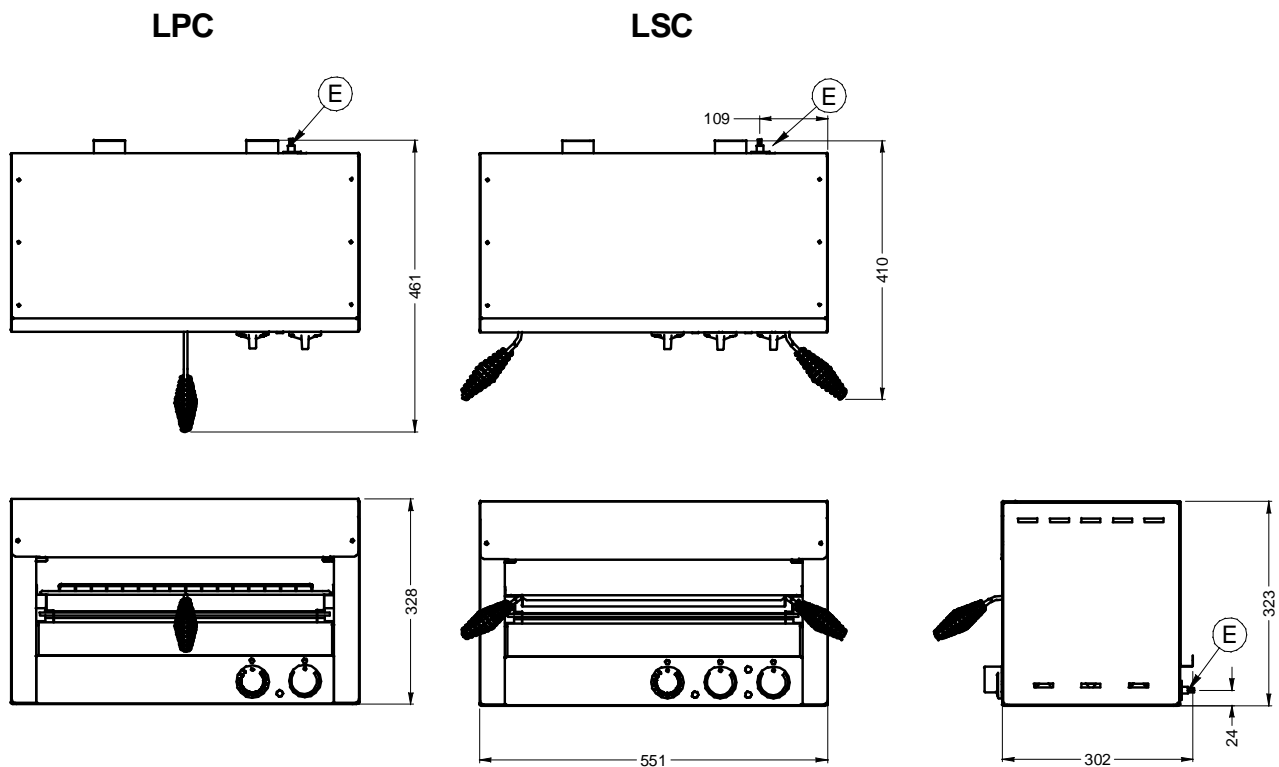
- LPC Pizzachef - with heat control of lower elements
- LSC Superchef - with heat control of both upper and lower elements and spillage pan

### Available Accessories

- BR15 – Wall mounting brackets
- T010 – Toasting bags (pack of 100)

## Specifications

Model	LPC	LSC
External height (mm)	328	328
External width (mm)	551	551
External depth (mm)	302	302
Grill tray size w x d (mm)	410 x 270	410 x 230
Net weight - unpacked (kg)	12	12.5
Gross weight - packed (kg)	16	16.5
Shipping volume (m <sup>3</sup> )	0.145	0.145
Total power rating (kW)	3	3
Electrical supply 1N~+E 230V 50-60Hz Current Rating (A)	13	13



Lincat Limited, Whisby Road,  
Lincoln LN6 3QZ,  
United Kingdom

UK Sales Tel: 01522 875500 UK Spares Tel: 01522 875510 UK General Tel: 01522 875555  
UK Fax: 01522 875530 International Sales Tel: +44 1522 503250 International Fax: +44 1522 875530  
Website: [www.lincat.co.uk](http://www.lincat.co.uk) UK Sales e-mail: [sales@lincat.co.uk](mailto:sales@lincat.co.uk) International Sales e-mail: [export@lincat.co.uk](mailto:export@lincat.co.uk)



Document ref:  
LYNXINFRARED  
Issue date: Oct-09