

Lynx 400 Pizza Oven

Key Features

- Type: Electric
- Counter top unit
- Upper and lower elements
- Thermostatic temperature control (50-300°C)
- Timer (20 min)
- Wire shelf with safety stop
- Crumb tray



LPO

Construction

- Body: stainless steel grade 430
- Chrome plated shelves
- Handles: plastic (black)

Available Options

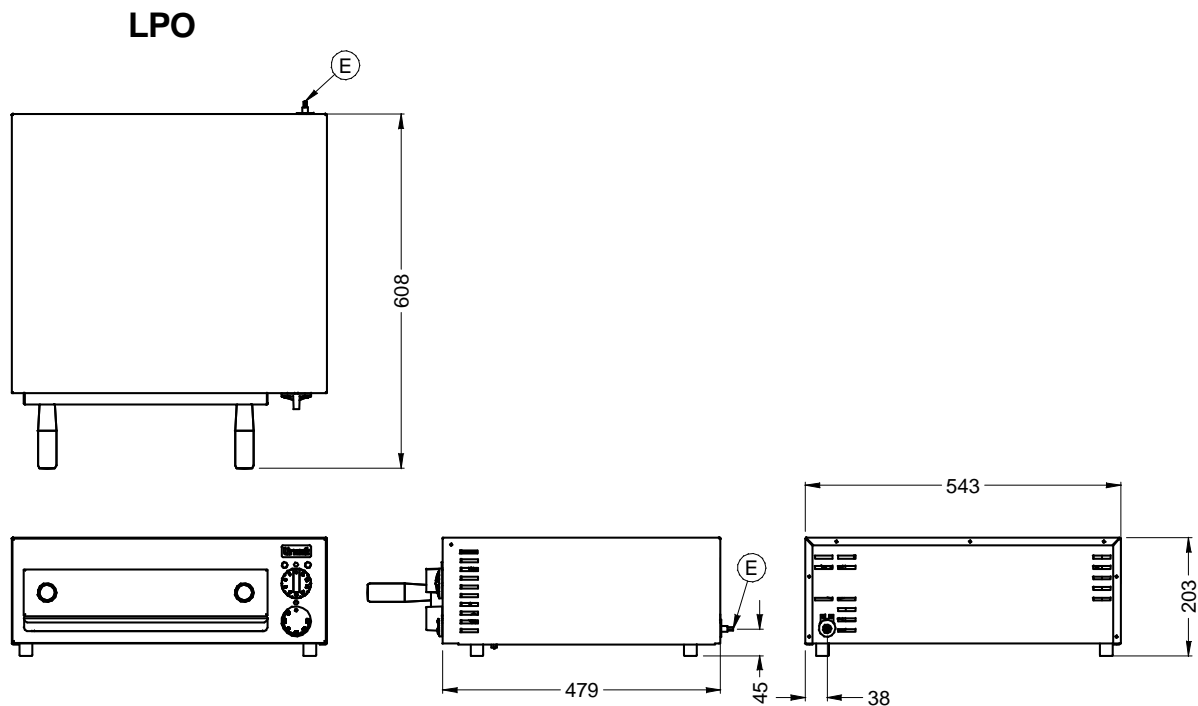
- N/A

Available Accessories

- N/A

Specifications

Model	LPO
External height (mm)	203
External width (mm)	543
External depth (mm)	479
Usable oven capacity h x w x d (mm)	58 x 400 x 450
Net weight unpacked (kg)	18
Gross weight packed (kg)	19
Shipping volume (m ³)	0.255
Total power rating kW	1.5
Electrical supply 1N~+E 230V 50-60Hz Current Rating (A)	6.3



**Lincat Limited, Whisby Road,
Lincoln LN6 3QZ,
United Kingdom**

UK Sales Tel: 01522 875500 UK Spares Tel: 01522 875510 UK General Tel: 01522 875555
 UK Fax: 01522 875530 International Sales Tel: +44 1522 503250 International Fax: +44 1522 875530
 Website: www.lincat.co.uk UK Sales e-mail: sales@lincat.co.uk International Sales e-mail: export@lincat.co.uk



Document ref:
LYNXPIZZA
Issue date: Oct-09