



# Installation, Operating and Servicing Instructions

## Electric Conveyor Toaster CT1

Please make a note of your product details for  
future use:

Date Purchased: \_\_\_\_\_

Model Number: \_\_\_\_\_

Serial Number: \_\_\_\_\_

Dealer: \_\_\_\_\_

\_\_\_\_\_

# CONTENTS

Important Information	2
Warnings and Precautions	3
Technical Data	3
Checklist of Enclosures	3
Installation and Commissioning	3-5
Operating Instructions	5-6
Cleaning	7
Servicing, Maintenance and Component Replacement	7
Fault Finding	7
Spare Parts List	8
Accessories	8
Service Information and Guarantee	9

## IMPORTANT INFORMATION

---



Read these instructions carefully before using this product, paying particular attention to all sections that carry warning symbols, caution symbols and notices. Ensure that these are understood at all times.

---



### **WARNING!**

This symbol is used whenever there is a risk of personal injury.

---



### **CAUTION!**

This symbol is used whenever there is a risk of damaging your Lincat product.

---



### **NOTE:**

This symbol is used to provide additional information, hints and tips.

---

**KEEP THIS MANUAL FOR FUTURE REFERENCE**

## WARNINGS AND PRECAUTIONS



This appliance must be installed, commissioned and serviced by a qualified person in accordance with national and local regulations in force in the country of installation.

If the supply cord is damaged, it must be replaced by the manufacturer, its service agent or similarly qualified person.

Ensure that the plug/socket is accessible at all times.

Strip plastic coating and clean the appliance before use.

During operation parts may become hot - avoid accidental contact.

Disconnect this appliance before servicing, maintenance or cleaning.

## TECHNICAL DATA

Model	Height (mm)	Width (mm)	Depth (mm)	Weight (kg)
CT1	398	410	668 (inc. toast tray)	21

## CHECK LIST OF ENCLOSURES

Warranty Card
Instructions Manual
Wire feed rack
Crumb tray
Toast tray

## INSTALLATION AND COMMISSIONING

This appliance must be earthed.



An equipotential bonding terminal is provided to allow cross bonding with other equipment.

If replacing the plug connect the terminals as follows:

Green and Yellow wire	Earth	E
Blue wire	Neutral	N
Brown wire	Live	L

Fit feet to holes provided in base. Install this appliance on a level, heat resistant surface ensuring all vents are unobstructed. Any partitions, walls or furniture must be of non-combustible material. Minimum distances A 100mm B 1000mm – see Fig 1.

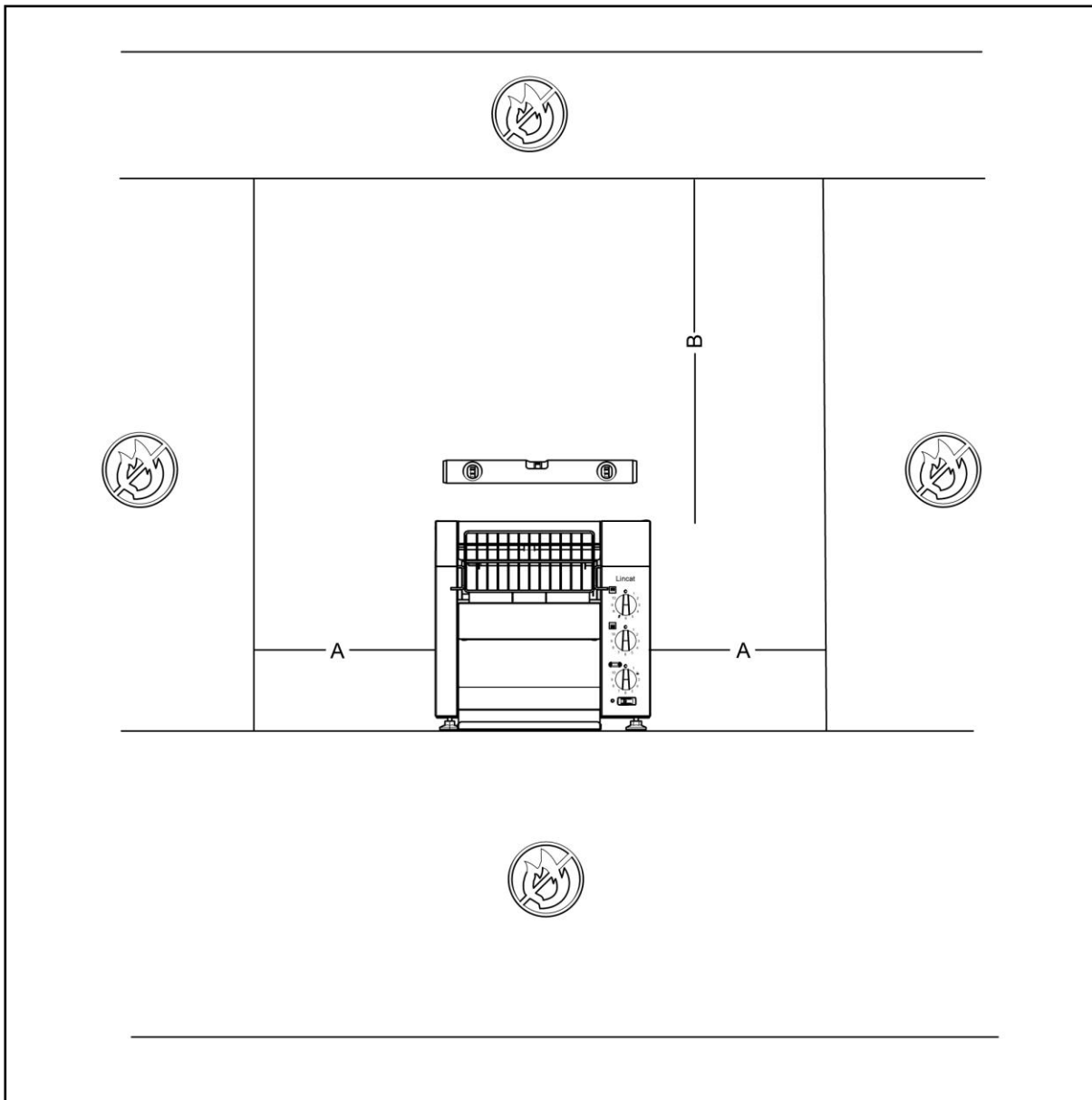


Fig 1

### Power Rating

Model	kW	Amps
CT1	2.4	10.5

See Fig 2.

Pull the wire feed rack (E) forward.

Place the crumb tray (F) into the appliance.

Hook the toast tray (G) onto the appliance using two screws at the base of the chute.

## **OPERATING INSTRUCTIONS**

Only qualified or trained personnel should use this appliance.

Connect the appliance to the electricity supply.

See Fig 2.

Turn switch (D) on. The switch illuminates.

Set top (A) and bottom (B) element controls to the required temperature.

Set the conveyor control (C) to the required speed.

Allow 10-15 minutes for the toaster to heat up.

Feed product into toaster using wire feed rack.

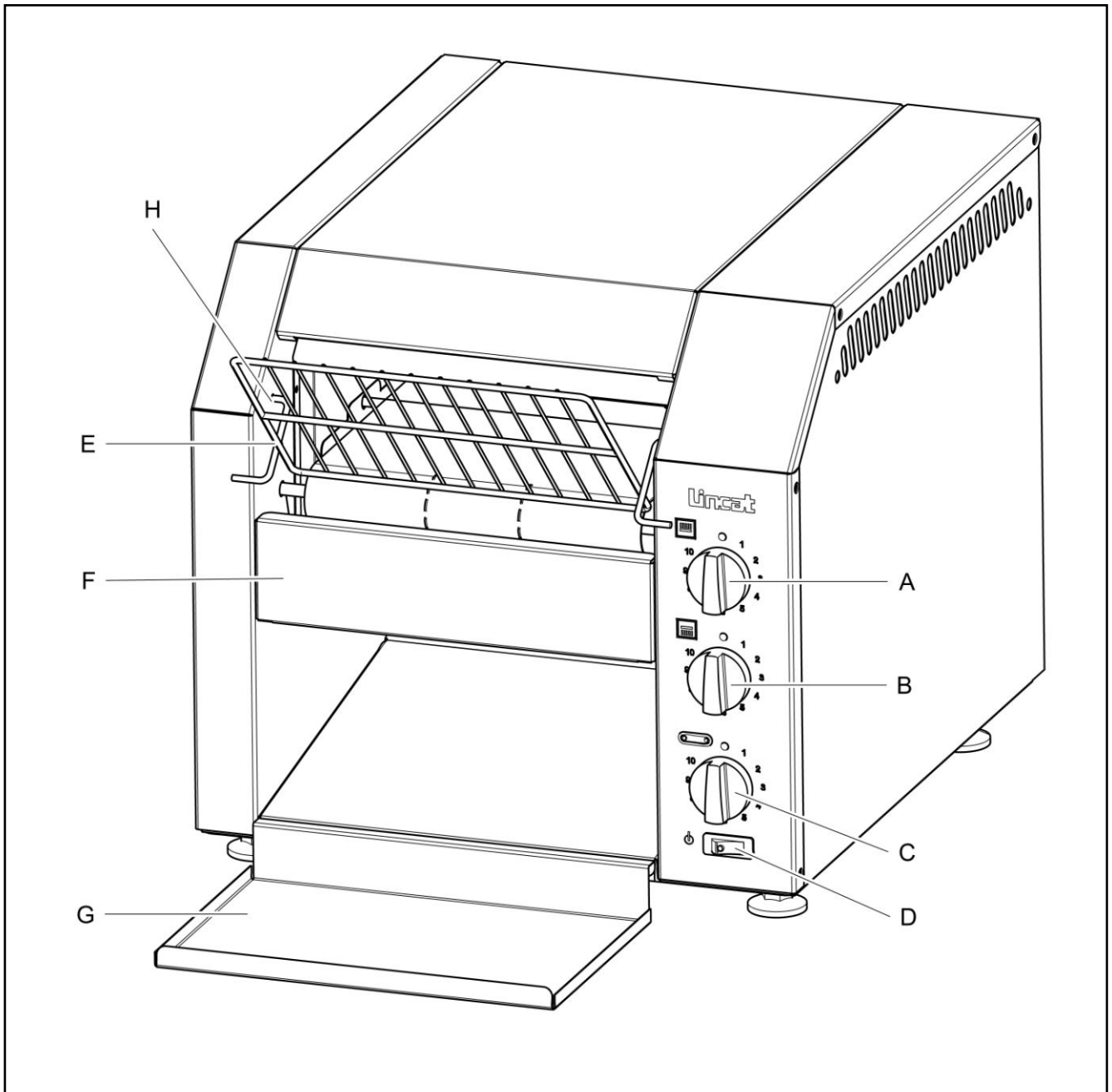


Fig 2

Adjust the temperature and conveyor speed to achieve optimum results for each type of bread used.

Best results are obtained by using bread at least one day old.

Set the elements to a lower temperature to save energy during quieter periods.

To toast single sided products (buns etc.), set the bottom element at a higher temperature than the top element. For stability, face flat (cut) side of product down. This will warm but not toast the uncut side of the product.

Note that items placed on the conveyor will return upside down into the toast tray.

## CLEANING



Do not use a water jet or steam cleaner, and do not immerse this appliance.

Clean all panels with warm water and mild detergent, do not use abrasive materials. Dry with a soft cloth.

To cool the appliance quickly, switch off both elements and turn the conveyor to low leaving the fan running.

Do not remove crumb tray when the appliance is running as it will be hot.

To remove the feed rack, move rack to the right, gently flex the left leg free of the fixing hole (H) and lift away. Reverse procedure to refit.

## SERVICING, MAINTENANCE AND COMPONENT REPLACEMENT

All servicing, maintenance and component replacement on this appliance should be carried out by one of our recommended service engineers.

## FAULT FINDING

Please refer to the Service Help Desk number on the final page of this manual.

## SPARE PARTS LIST

Part Number	Description
BE11	PTFE Bearing
CV02	Conveyor chain
DC08	Drive chain
DI28	Diode
EL239	Top element
EL240	Bottom element
EN10	Energy regulator
FE10	Foot
FG03	Fanguard
KN251	Control knob
MO13	Motor and fan blade
PL202	Plug and lead
RH01	Rheostat
S/R0079	Cooling fan
SP09	Sprocket – drive chain
SP75	Spindle extension – conveyor control
SW53	On/Off switch
WR05	Feed rack
TR52	Toast tray
TR53	Crumb tray

## ACCESSORIES

Part Number	Description
CT1/CC	Anti-tamper control cover



## SERVICE INFORMATION

For help with the installation, maintenance and use of your **Lincat** equipment, please contact our service department:

**☎ UK: 01522 875520**

For non-UK customers, please contact your local Lincat dealer

All service work, other than routine cleaning should be carried out by one of our authorised service agents. We cannot accept responsibility for work carried out by other persons.

To ensure your service enquiry is handled as efficiently as possible, please tell us:

- Brief details of the problem
  - Product code
  - Type number
  - Serial number
- } All available on serial plate

Lincat reserve the right to carry out any work under warranty, given reasonable access to the appliance, during normal working hours, Monday to Friday, 08:30 to 17:00.

### GUARANTEE

This unit carries a comprehensive UK mainland 2 year warranty. The guarantee is in addition to, and does not diminish your statutory or legal rights.

The guarantee does not cover:

- Accidental damage, misuse or use not in accordance with the manufacturer's instructions
- Consumable items (such as filters, glass, bulbs, slot toaster elements and door seals.)
- Damage due to incorrect installation, modification, unauthorised service work or damage due to scale, food debris build-up, etc.

The manufacturer disclaims any liability for incidental, or consequential damages. Attendance is based on reasonable access to the appliance to allow the authorised technician to carry out the warranty work.

Service calls to equipment under warranty will be carried out in accordance with the conditions of sale. Unless otherwise specified, a maximum of 15 minutes of administrative time, not spent directly carrying out servicing work, is provided for within the warranty. Any requirement for staff attending the call to spend greater time than 15 minutes due to administrative requirements, such as on health and safety risk assessments, will be chargeable at the prevailing rate.

