

Lynx 400 Contact / Panini Grills

Key Features

- Type: Electric
- Counter top unit
- Thermostatic temperature control (six positions)
- Mechanism to adjust height of upper plate
- Fat collection tray (removable)



LCG2

Construction

- Body: stainless steel grade 430
- Plates: enamelled cast iron

Available Options

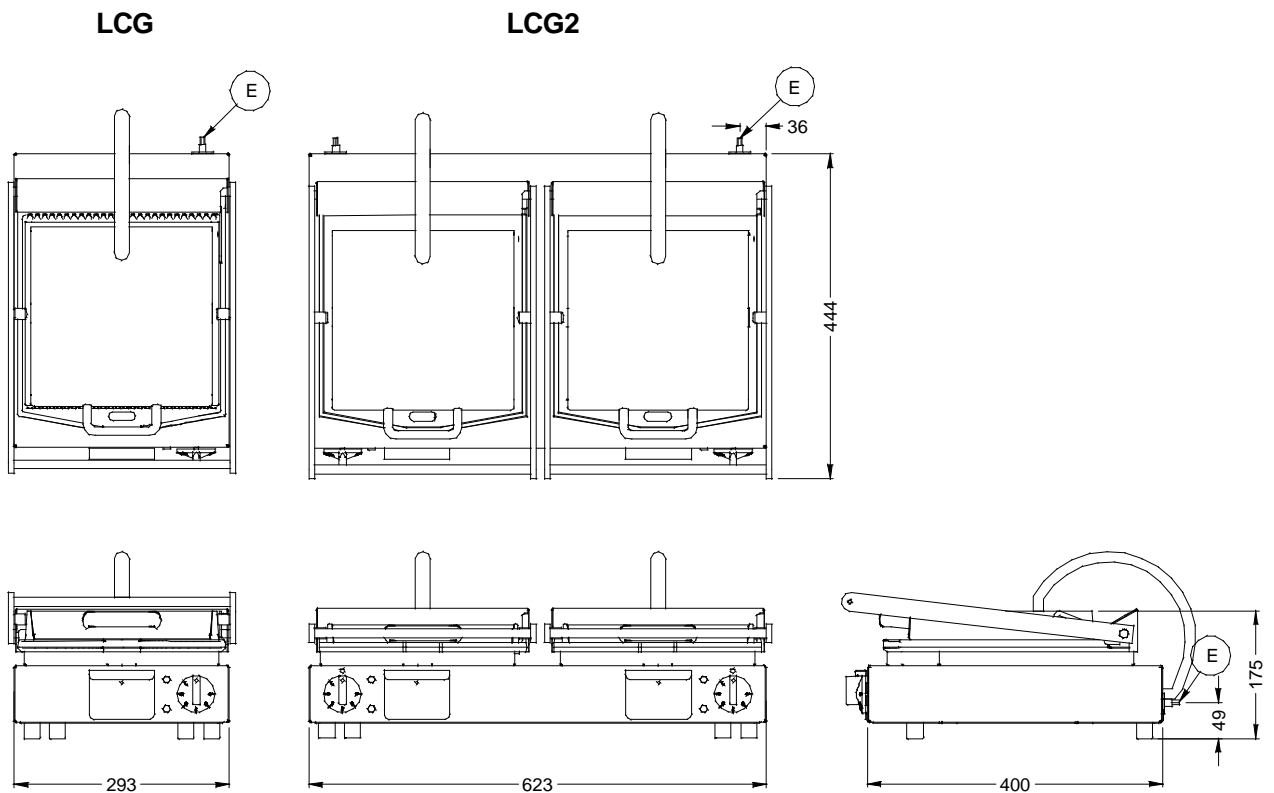
- LCG/ICG2 Smooth upper and lower plates
- LPG/LPG2 Ribbed upper and lower plates
- LRG/LRG2 Ribbed upper and smooth lower plates

Available Accessories

- N/A

Specifications

Model	LCG/LPG/LRG	LCG2/LPG2/LRG2
External height (mm)	175	175
External width (mm)	293	293
External depth (mm)	400	400
Usable plate area w x d (mm)	255 x 265	2 x 255 x 265
Net weight unpacked (kg)	20	37
Gross weight packed (kg)	24	40
Shipping volume (m ³)	0.096	0.188
Total power rating (kW)	2.25	2 x 2.25
Electrical supply 1N~+E 230V 50-60Hz Current Rating (A)	9.7	19.5



Lincat Limited, Whisby Road,
Lincoln LN6 3QZ,
United Kingdom

UK Sales Tel: 01522 875500 UK Spares Tel: 01522 875510 UK General Tel: 01522 875555
UK Fax: 01522 875530 International Sales Tel: +44 1522 503250 International Fax: +44 1522 875530
Website: www.lincat.co.uk UK Sales e-mail: sales@lincat.co.uk International Sales e-mail: export@lincat.co.uk



Document ref:
LYNXPANINI
Issue date: Oct-09