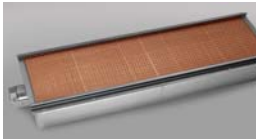


Model Numbers
ISB-24 ISB-36



Infra-red burner provides instant, even heating.



Raises and lowers with four locking positions.



Durable cast aluminum control knobs with a heat protection, Valox™ grip.



ISB-36 shown

INFRA-RED BURNERS - 40,000 BTU (12 KW) ISB-36 model and 20,000 BTU (6 KW) ISB-24 model.

- Protective screen over infra-red burner for splatter protection.
- Individual left / right gas controls "ISB-36" model.
- Adjustable gas valve.
- Continuous pilot for instant ignition.

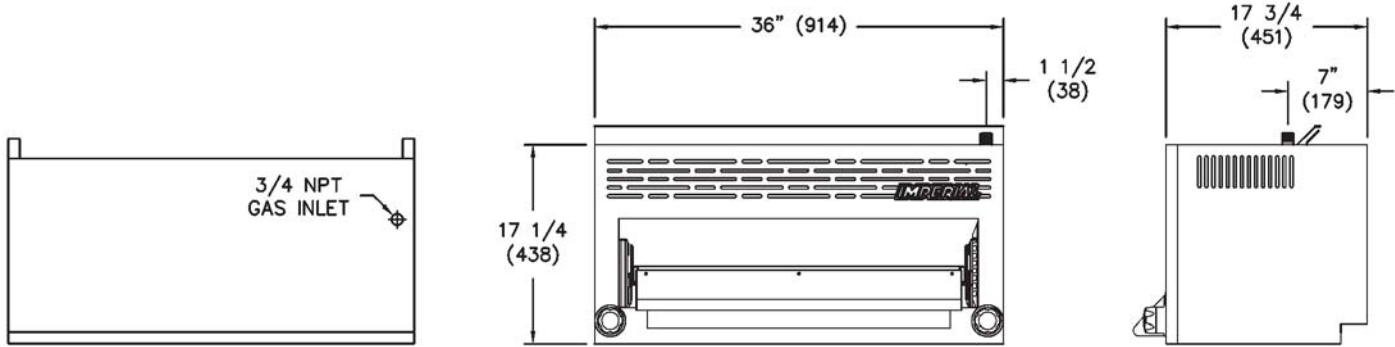
BROILER GRID - Spring balanced for easy maneuvering.

- Raises and lowers with locking in 4 positions.
- Rack assembly rolls out 10" (254 mm) for easy loading and unloading.
- Large capacity for peak hour high production.
- Removes easily for cleaning.

EXTERIOR FEATURES - Stainless steel front, sides, top and bottom.

- Mounts over IR and IHR ranges, with mounting accessory.
- Can be wall or counter mounted.
- Welded and polished stainless steel seams.
- Control knobs are durable cast aluminum with a Valox™ heat protection grip.
- Available in 24" and 36" (610 and 914 mm) widths.
- One year parts and labor warranty.





ISB-36

RANGE MATCH SALAMANDER BROILERS

MODEL	WIDTH		TOTAL OUTPUT		SHIP WEIGHT	
	INCHES	(MM)	(KW)	(KG)	(LBS)	(KG)
ISB-24	24"	(610)	20,000	(6 KW)	(70)	155
ISB-36	36"	(914)	40,000	(12 KW)	(95)	210

Measurements in () are metric equivalents.

MODEL	DIMENSIONS	CRATED DIMENSIONS
ISB-24	24" w x 17-3/4" d x 17-1/4" h (610 x 451 x 438 mm)	26" w x 20" d x 21" h (660 x 508 x 533 mm)
ISB-36	36" w x 17-3/4" d x 17-1/4" h (914 x 451 x 438 mm)	38" w x 20" d x 21" h (965 x 508 x 533 mm)

MANIFOLD PRESSURE		MANIFOLD SIZE
NATURAL GAS	PROPANE GAS	
5.0" W.C.	10.0" W.C.	3/4"

Specify elevation, if over 2,000 ft.

CLEARANCE REQUIREMENTS

For use only on non-combustible surfaces. Legs are required for counter top installation. Provide 0" clearance from non-combustible surfaces and 4" (102 mm) from combustible surfaces.

OPTIONS AND ACCESSORIES

- Wall mounting kits
- 4" (102 mm) leg kit for counter mounting
- Reinforcement channels for range mount
- One point 3/4" (19 mm) gas connection from ISB to IR or IHR range
- Gas shut off valve, 3/4" N.P.T.
- Quick disconnect and flexible gas hose, 3/4" N.P.T.

