

# ICE Range icemakers

halcyon®

## ICE 80

SELF-CONTAINED  
ICE CUBE MACHINE

230 V / 50 HZ

### Halcyon ICE 80 Features

- **2 year warranty**
- Double skin insulated assembly
- Environmentally friendly R290 refrigerant
- Spray system produces large crystal clear cubes
- Removable stainless steel spray bar for easy cleaning
- Removable, flexible spray jets for ease of cleaning
- Simple operating system
- Easily adjustable controls for optimum performance



Supplied with:



Water inlet filter gasket



Water inlet hose



Water outlet hose



Small scoop



4 leg kit

For additional information contact our Sales Team on

T: **0345 130 8070** E: **sales@maidaid-halcyon.co.uk** or visit **www.maidaid.co.uk**

# ICE Range icemakers



## ICE 80

SELF-CONTAINED  
ICE CUBE MACHINE

230 V / 50 HZ

### Technical Data

	<b>24 H</b>	10°C	10°C	21°C	15°C	<b>STOCK</b>	(mm)	(mm)	
		(Kg)	(Kg)	(Kg)	(Kg)				
<b>ICE 80</b>		78	72	40		Width 645 Depth 645 Height 970 <small>(including feet)</small>	Width 500 Depth 650 Height 830		<b>26 gram</b> 35 (Ø) x 35 mm (H) Average dimensions

Operating  
Conditions –  
Production 50Hz

- ±10% V
- 10°C/43°C
- 5°C/35°C
- 1 bar/6 bar
- 48 Ice cubes/cycle

V	Hz	ph
230	50	1N

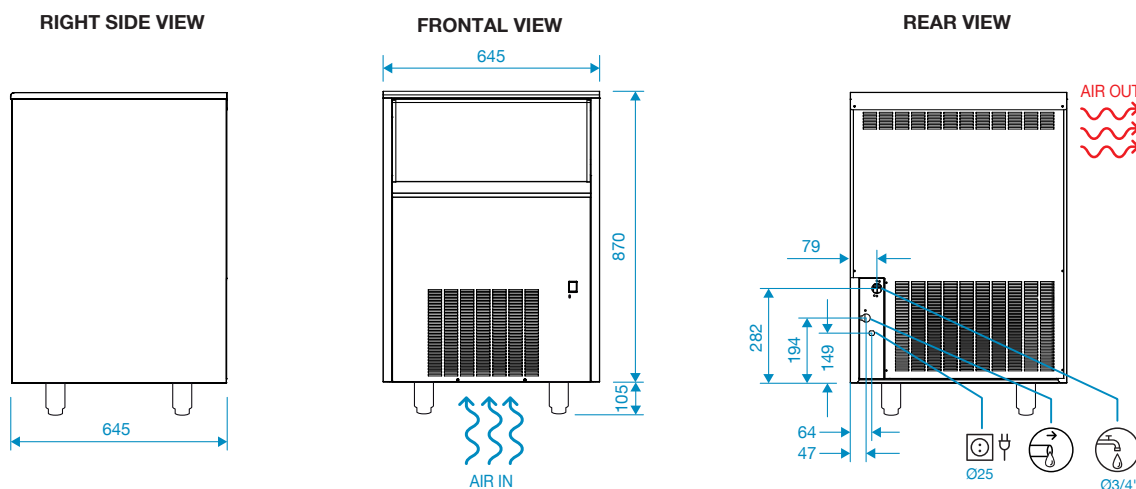
**ICE 80 AIR COOLED**

°C / °F	10° 50°	15° 60°	21° 70°	30° 86°
10° 50°	78	76	73	66
21° 68°	73	<b>72</b>	67	65
32° 90°	72	68	64	63
43° 109°	60	60	61	55

	(W)	(BTu/h)	(W) 43°C	(n.)	(mm²)	FUSE	100 Kg (Kwh)	(l/h)	HEAT REJECTED (W) (BTu/h)	(Kg)	(Kg)	(m³)	
<b>ICE 80</b>	460	1,568	795	3	1.5	10	25	8	-	-	62	69	0.50

### Installation Diagram

All dimensions in mm



For additional information contact our Sales Team on

T: **0345 130 8070** E: **sales@maidaid-halcyon.co.uk** or visit **www.maidaid.co.uk**

Maidaid Halcyon reserve the right to alter specifications & dimensions without prior notification, all dimensions will be +/- 3mm.