

ICE Range icemakers

halcyon®

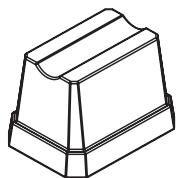
ICE 25

SELF-CONTAINED
ICE CUBE MACHINE

230 V / 50 HZ

Halcyon ICE 25 Features

- **2 year warranty**
- Double skin insulated assembly
- Environmentally friendly R290 refrigerant
- Spray system produces large crystal clear cubes
- Removable stainless steel spray bar for easy cleaning
- Removable, flexible spray jets for ease of cleaning
- Simple operating system
- Easily adjustable controls for optimum performance



14
gram



A3S
Anti-scale
spray system



SILENT
RAIN

Supplied with:



Water inlet
filter gasket



Water inlet
hose



Water outlet
hose



Small scoop

For additional information contact our Sales Team on

T: **0345 130 8070** E: **sales@maidaid-halcyon.co.uk** or visit **www.maidaid.co.uk**

ICE Range icemakers



ICE 25

SELF-CONTAINED
ICE CUBE MACHINE

230 V / 50 HZ

Technical Data

	24 H	10°C	10°C	21°C	15°C	STOCK	(mm)	(mm)	
		(Kg)	(Kg)	(Kg)	(Kg)				14 gram
ICE 25		25	23	6		Width 350 Depth 475 Height 595*	Width 430 Depth 540 Height 720		

Operating Conditions – Production 50Hz

- ±10% V
- 10°C/43°C
- 5°C/35°C
- 1 bar/6 bar
- 18 Ice cubes/cycle

R290

V	Hz	ph
230	50	1N

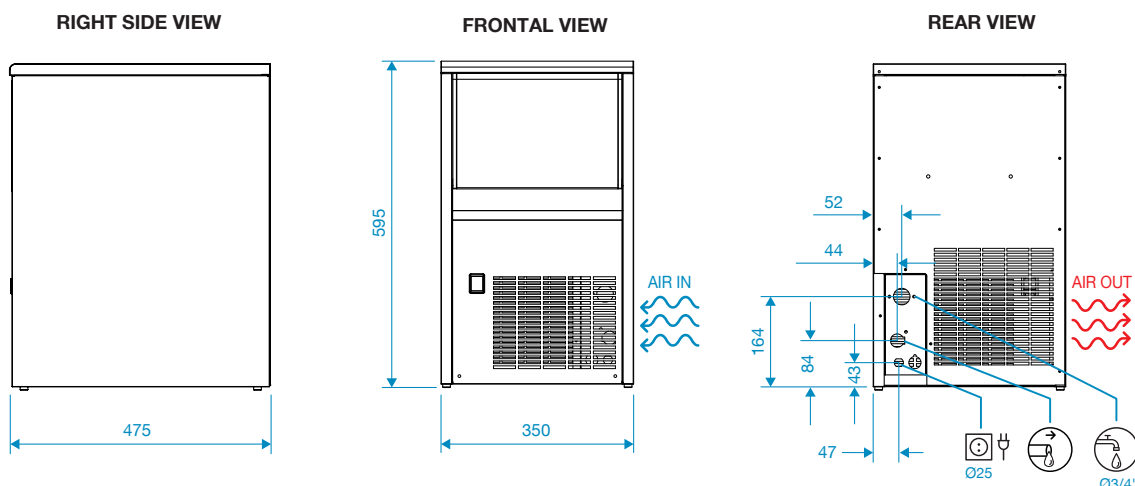
ICE 25 AIR COOLED

°C	10°	15°	21°	30°
°F	50°	60°	70°	86°
10°	25	24	23	21
50°				
21°	24	23	22	21
68°				
32°	22	21	20	19
90°				
43°	17	16	15	14
109°				

	(W)	(BTu/h)	(W) 43°C	(n.)	(mm ²)	FUSE	100 Kg	(l/h)	HEAT REJECTED	(Kg)	(Kg)	(m ³)	
ICE 25	862	2,941	260	3	1.5	10	28.2	3.6	538	1,836	32	36	0.17

Installation Diagram

All dimensions in mm



For additional information contact our Sales Team on

T: **0345 130 8070** E: **sales@maidaid-halcyon.co.uk** or visit **www.maidaid.co.uk**