

# ICE Range icemakers

halcyon®

## ICE 130

SELF-CONTAINED  
ICE CUBE MACHINE

230 V / 50 HZ

### Halcyon ICE 130 Features

- **2 year warranty**
- Double skin insulated assembly
- Environmentally friendly R290 refrigerant
- Spray system produces large crystal clear cubes
- Removable stainless steel spray bar for easy cleaning
- Removable, flexible spray jets for ease of cleaning
- Simple operating system
- Easily adjustable controls for optimum performance



Supplied with:



Water inlet filter gasket



Water inlet hose



Water outlet hose



Medium scoop



4 height adjustable leg kit

For additional information contact our Sales Team on

T: **0345 130 8070** E: **sales@maidaid-halcyon.co.uk** or visit **www.maidaid.co.uk**

# ICE Range icemakers



## ICE 130

SELF-CONTAINED  
ICE CUBE MACHINE

230 V / 50 HZ

### Technical Data

	24 H	10°C (Kg)	10°C (Kg)	21°C (Kg)	15°C (Kg)	STOCK (Kg)	(mm)	(mm)	
<b>ICE 130</b>		126	119	65	Width 930 Depth 565 Height 1,010 <small>(including feet)</small>	Width 1,000 Depth 630 Height 1,040	<b>26 gram</b> 35 (Ø) x 35 mm (H) Average dimensions		

Operating  
Conditions –  
Production 50Hz

- ±10% V
- 10°C/43°C
- 5°C/35°C
- 1 bar/6 bar
- 72 Ice cubes/cycle



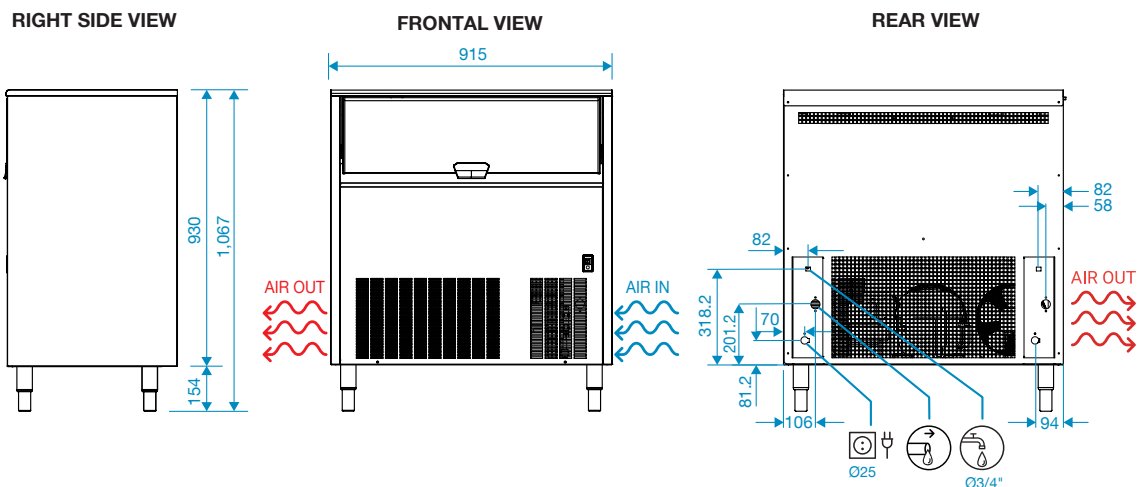
V	Hz	ph
230	50	1N

ICE 130 AIR COOLED					
24 H	°C	10°	15°	21°	30°
	°F	50°	60°	70°	86°
	10°	126	123	113	109
	50°				
	21°	123	<b>119</b>	110	106
	68°				
	32°	108	104	95	91
	90°				
	43°	95	90	78	74
	109°				

	(W)	(BTU/h)	(W) 43°C	(n.)	(mm²)	FUSE	100 Kg (Kwh)	(l/h)	HEAT REJECTED (W) (BTU/h)	(Kg)	(Kg)	(m³)	
<b>ICE 130</b>	2,847	9,720	940	3	1.5	16	19.1	11	2,031 6,934	83	104	0.66	

### Installation Diagram

All dimensions in mm



For additional information contact our Sales Team on

T: **0345 130 8070** E: **sales@maidaid-halcyon.co.uk** or visit **www.maidaid.co.uk**