

portable food warmers



choices

# ultra-glo™

portable foodwarmers

ULTIMATE HEAT SOURCE



## FOOD ACCESS, WITH NO TEMPERATURE SACRIFICE

Think flexible working space and quality heat. Take a closer look at Hatco's Ultra-Glo™ Portable Foodwarmers. They're designed to provide more distance between the heat source and the holding pan than most foodwarmers, while maintaining even heat from above, below, or both. The Ultra-Glo line was created with customerization in mind. A wide selection of styles, colors, lights, controls, hardcoated fry ribbons, pans, and trivets can mean only one thing ... The Choice is Yours.



### MORE HEAT

For portable holding, Hatco offers convenient fry and carving stations that can be placed where they are needed most. The Fry Holding Station is perfect next to a fryer, keeping product hot and fresh with ceramic heat above and a heated base below. The slotted holding bin prevents soggy product. The adjustable Glo-Ray® Carving Station is an excellent attachment to extend food holding times during serving periods with optional base heat, breath protector, cutting board, and drip pan.



GRCSCSCL-24 with optional breath protectors, drip pan, and cutting board



# glo-ray®

portable foodwarmers



**WHEREVER YOU NEED IT, HEAT IT**



GRFFB with optional infinite switch and accessory food pans

- Portable – ready to plug and “GLO.”
- Each unit comes with a factory attached 6' (1829 mm) cord and plug so you can put heat where you need it.
- Versatile – available in many sizes, styles, and heat sources to fit your needs.
- Flexible – both top and thermostatically controlled bottom heat available.
- Accessories to customize foodwarmers to any setting and application.

## CHOOSE YOUR SOLUTION

You can take it with you when you opt for the versatility of Hatco's Glo-Ray® Portable Foodwarmers. Need heat from above, below, or both? We've got it! Hatco's foodwarmers offer design flexibility without sacrificing food product quality. The complete Glo-Ray line has the solution for your foodwarming need, and the design capabilities to match a product to your specifications. The Choice is Yours.



## TRADITIONAL WARMERS – EXCEPTIONAL PERFORMANCE

It's easy to find a portable Hatco foodwarmer for your application. The Glo-Ray portable foodwarmer displays your product while keeping it hot and fresh. The optional sign holder helps generate impulse sales. The Hatco Lamp Warmer has a specially designed, adjustable stand, and unique insulating base to extended holding time. Available in six Designer colors, they're an updated version of classic designs that have served operators exceptionally well for years.



LW-2 with optional Designer color and accessory food pans

# mini-merchandisers

MAXIMUM PERFORMERS



GRHW-ISGD with accessory sign holder (graphic not included)

## READY ... SET ... SELL!

Safe and convenient, Hatco Mini-Merchandisers create impulse sales while ensuring food safety. Place fresh hot products in front of your customers without losing valuable counter space. These warmers come in a variety of shapes, sizes, and *Designer* colors, all holding hot food at peak serving temperatures. From samples to hors d'oeuvres to meals-on-the-go, Hatco has the right display warmer that's ideal for convenience stores, supermarkets, delis, concession stands, snack bars, kiosks, and pizzerias. The Choice is Yours.

GRHW-ISGS with sign holder (graphic not included), hardcoated bins, and optional *Designer* color



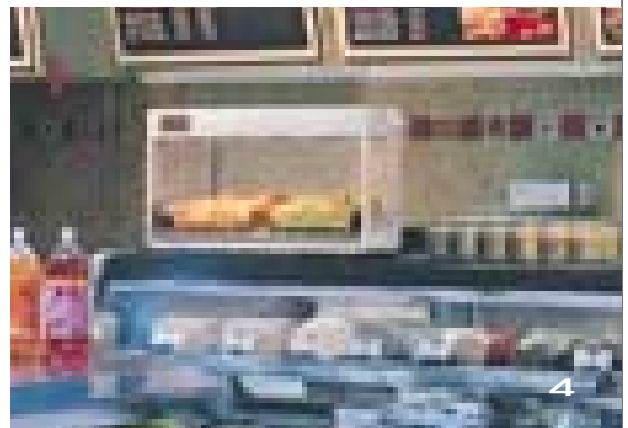
GRHW-2P with accessory food pans

## THE PERFECT FOLLOW-UP

Whether it's a heated display to showcase fried foods, or a warmer to safely hold sauces, gravies, toppings, and condiments, Hatco has the perfect model for your operation. Front- or back-of-the-house, ready-to-use Staging and Condiment/Topping Warmers have uniform heat distribution to hold hot products at their ideal serving temperatures.



QW-6





# glo-ray® heated shelves



**LONG SHELF LIFE GUARANTEED**

GRSR-17 with optional  
*Designer* color and  
accessory food pan



GR2S-30 with  
*Designer* color inset  
panels and accessory  
pizza pans

## **FITS JUST RIGHT**

Simplicity and functionality team up in Hatco's Glo-Ray® Portable, *Designer*, Drop-in, and Round Heated Shelves. Whether you need a heated workspace or extra base heat in a pass-through or buffet area, Hatco's full line of shelf options can help you. Using a blanket heating element for an even temperature, the thermostatically controlled base extends the holding time of your food. Made with durable stainless steel or hardcoated aluminum tops, Hatco Heated Shelves are available in a broad selection of sizes to fit your operation. If bottom heat is what you need, then Hatco has it. The Choice is Yours.



GRAH-30 with optional *Designer* color and infinite switch, and accessory C-Leg stand over Heated Shelf GRS-24 in optional *Designer* color



## **TWICE AS EFFECTIVE, SAME HATCO QUALITY**

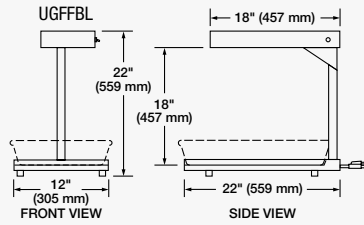
Depending on your foodservice layout, your product could benefit from a more effective arrangement: heat from above and below. Now there's no need to worry about drying out foods or cooking beyond the desired stage when you entrust your product to Hatco's Glo-Ray® line of foodwarmers. They're portable, flexible, and available in a variety of arrangements. Let Glo-Ray technology work for you.

# specifications

## ultra-glo™ portable foodwarmers

### Models UGFF, UGFLL, UGFFB, and UGFFBL Portable Foodwarmers with Ceramic Elements

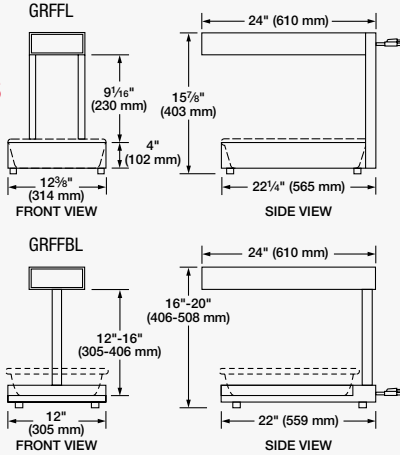
Designed with a compact element housing and a greater distance between the heating element and holding pan, allows easier access to product. Available in 120 volts, single phase, with or without incandescent light and heated base. Models come in five Translucent Gloss Finishes.



## glo-ray® portable foodwarmers

### Models GRFF, GRFFL, GRFFB, and GRFFBL Portable Foodwarmers with Metal Sheathed Elements

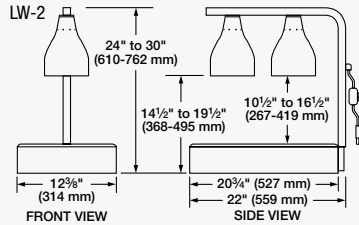
Features either a stainless steel stand that keeps standard 2 1/2" (64 mm) food pans off the work area, or a heated base. Available in 120 volts, single phase, with or without incandescent light and heated base. Models come in six Designer colors (heated base is not powdercoated).



## portable lamp warmer

### Model LW-2 Portable Lamp Warmer

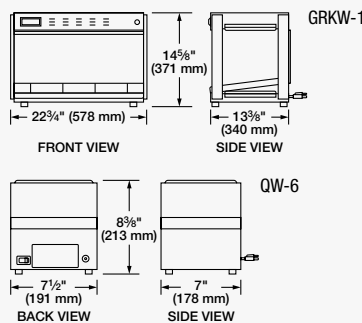
Adjustable stand keeps food holding pans insulated and above the counter top. Features two vented lamp shades with heavy-duty sockets and a 6' (1829 mm) cord and plug with an in-line on/off switch. Available in 120 volts, single phase, and in six Designer colors.



## glo-ray® staging/specialty warmers

### Models GRKW-1 and QW-6 Staging/Specialty Warmers

Both models are available in 120 volts, single phase and feature a thermostatically controlled heated base and a cord and plug set. Model GRKW-1 also has prefocused infrared heat from above and comes in six Designer colors. Model QW-6 is a condiment/topping warmer.

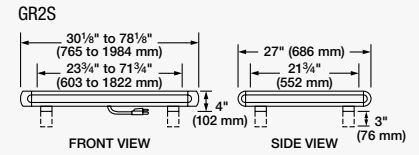


PLEASE REFERENCE PRODUCT SPECIFICATION SHEETS FOR INDIVIDUAL MODEL LISTINGS

## glo-ray® heated shelves

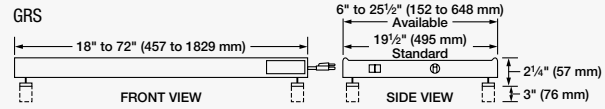
### Model GR2S Designer Heated Shelf

Widths from 30 1/8" to 78 1/8" (765-1984 mm). Available in 120 volts, single phase and six Designer colors. Includes on/off switch with indicator light, adjustable thermostat, and 6' (1829 mm) cord with plug.



### Model GRS Heated Shelf

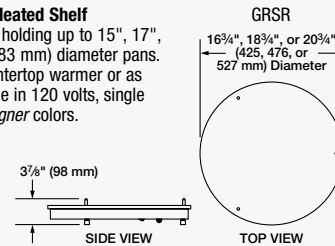
Widths from 18" to 72" (457-1829 mm) and depths from 6" to 25 1/2" (152-648 mm). Available in 120 volts, single phase, and in six Designer colors. Includes on/off switch with indicator light, adjustable thermostat, and 6' (1829 mm) cord with plug.



## round heated shelves

### Model GRSR Round Heated Shelf

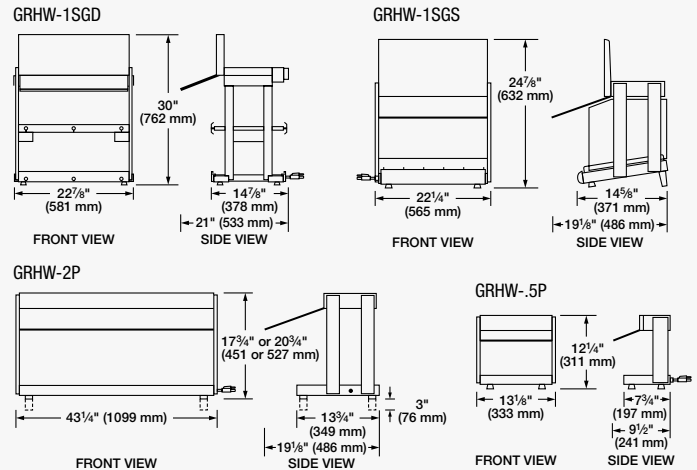
Offered in three sizes, holding up to 15", 17", or 19" (381, 432, or 483 mm) diameter pans. Can be used as a countertop warmer or as a drop-in unit. Available in 120 volts, single phase, and in six Designer colors.



## glo-ray® mini-merchandisers

### Models GRHW-1SGD, -1SGS, -2P, and -5P Mini-Merchandisers

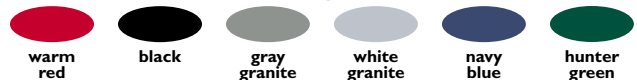
These models hold hot product at peak serving temperatures while using a limited amount of counter space. All models feature a thermostatically controlled heated base and a cord and plug set. Available in 120 volts, single phase, and in six Designer colors.



## ULTRA-GLO™ TRANSLUCENT GLOSS FINISHES



## GLO-RAY® Designer COLORS



Nothing less than the best.™

P.O. Box 340500  
Milwaukee, WI 53234-0500 U.S.A.  
(800) 558-0607 (414) 671-6350  
www.hatcocorp.com  
E-mail: equipsales@hatcocorp.com

Printed in U.S.A.



Form No. PFWB-2504  
April 2004