

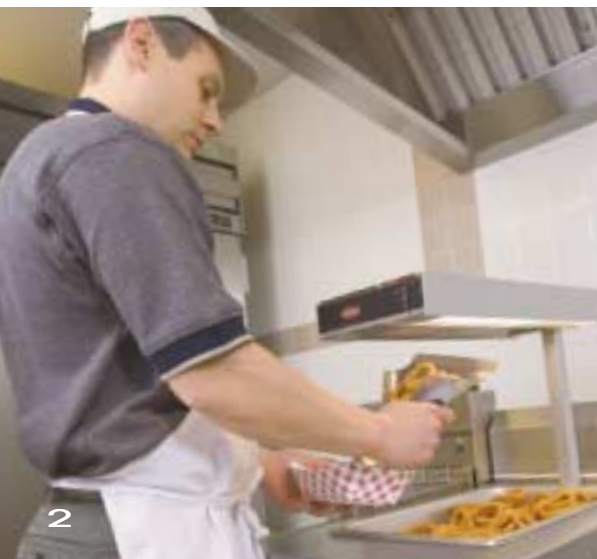
f r y s t a t i o n s



ch o i c e s



- Hold fried foods at optimum serving temperatures.
- Ceramic heating elements allow for ample space between warmer and food bin to empty baskets.
- Thermostatically controlled heated base maintains uniform holding temperatures from below.
- Portable – plugs into standard 120V outlet.
- Slotted holding bin prevents soggy product.
- Various hardcoated fry ribbons stage boxed or bagged products for quick-serve areas.



FOODWARMERS – BUILT-IN OR ON THE GO

Hatco's impressive selection of foodwarming options for any situation, in any operation, extends beyond fried foods. Designed for use in work areas, pickup stations, or customer service points, Ultra-Glo™ and Glo-Ray® foodwarmers are conveniently compact, either built-in or portable, and available in your choice of model and size to meet your every foodwarming need.



UGFFBL with optional translucent gloss finish and accessory food pans



GRFFL with optional Designer color and sign holder (sign not included) and accessory food pan

glo-ray® fry stations

HIGH QUALITY, CONTROLLED HEAT



GRFHS-21 with
accessory fry ribbon



GRFHS-PT26 with
accessory fry ribbon

CHOOSE QUALITY FRY-HOLDING TECHNOLOGY

Want to hold your fried foods, without cooking them or drying them out? Glo-Ray® heat technology from Hatco offers you the ability to keep your product at its optimum temperature, ready to serve. The ceramic element effectively heats and holds food longer – while still offering ample serving and working space. The large capacity slotted holding bin prevents soggy product by allowing the heat to envelop your fried product. The accessory hardcoated fry ribbon effectively retains 15° to 20°F (6°-10°C) more of food temperature than the industry standard of stainless steel. And the portable unit works with standard 120 volt power, so no installation is needed. Best of all, Hatco offers a range of styles and accessories to suit your operation. The Choice is Yours.



GRSDS/H-36DHW

THE KEY IS IN THE NAME

Glo-Ray® Merchandising Display Warmers are designed to do both: safely hold product and display it – giving your customers the perfect opportunity to serve themselves the hot, delicious product of their choice. Available in slant, horizontal, single, or dual-shelf models, and with flexible accessory display sign options, you can have the merchandiser you need to sell more of your product.

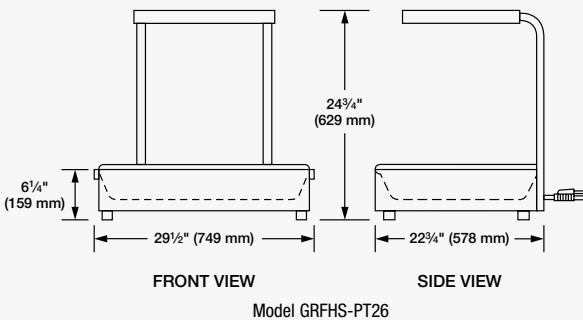
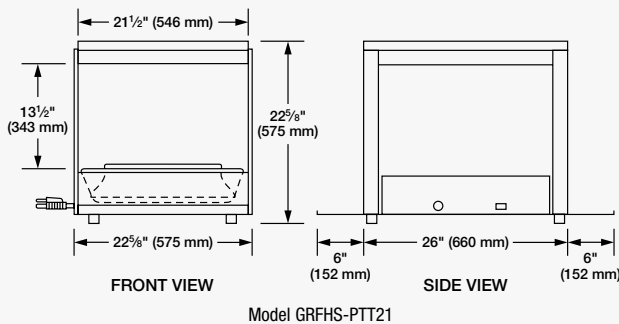
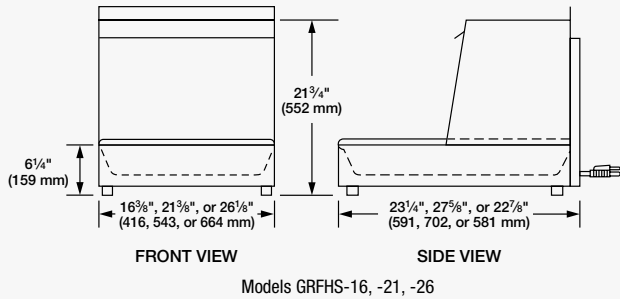
specifications

PLEASE REFERENCE PRODUCT SPECIFICATION SHEETS FOR INDIVIDUAL MODEL LISTINGS

glo-ray® fry holding stations

Models GRFHS-16, GRFHS-21, GRFHS-PTT21, GRFHS-26, and GRFHS-PT26 Portable Fry Holding Stations

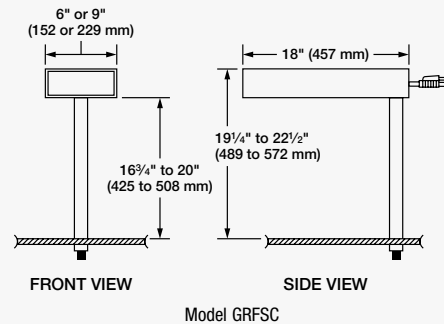
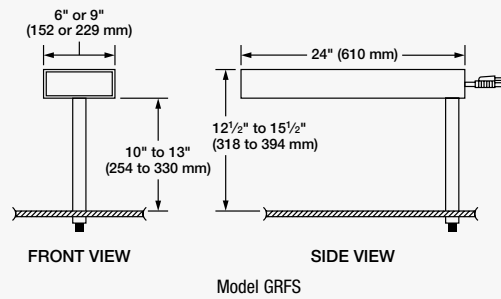
Ceramic elements direct radiant heat from above, while a pre-set thermostatically controlled heated base maintains a uniform holding temperature from below. A sectional divider permits holding of multiple products simultaneously. Available in 120 volts, single phase.



glo-ray® fry station warmers

Models GRFS and GRFSC Fry Station Warmers

Features include a swing-away post mount, on-off toggle switch, and attached cord with plug. GRFS models with metal sheathed heating elements are available with 10", 11", 12", or 13" (254, 279, 305, or 330 mm) clearance. GRFSC models with ceramic elements have 16 3/4", 18", or 20" (425, 457, or 508 mm) clearances. Available in 120 volts, single phase.



fry ribbons

Fry Ribbon Accessories for Portable Fry Holding Stations

A variety of hardcoated fry ribbons are available as accessories to hold bagged and boxed food product within the various portable fry holding station models. The fry ribbons include the following:

- 4 Pleat Hardcoated Fry Box Ribbon (GRFHS-16 & -26)
- 5 Pleat Hardcoated Fry Bag Ribbon (GRFHS-16 & -26)
- 5 Pleat Hardcoated Fry Box Ribbon (GRFHS-21)
- 6 Pleat Hardcoated Fry Box/Bag Combo Ribbon (GRFHS-21)
- 7 Pleat Hardcoated Fry Bag Ribbon (GRFHS-21)
- 8 Pleat Hardcoated Fry Box Ribbon (GRFHS-PT26)
- 9 Pleat Hardcoated Fry Box/Bag Combo Ribbon (GRFHS-PT26)
- 10 Pleat Hardcoated Fry Bag Ribbon (GRFHS-PT26)



Nothing less than the best.™

P.O. Box 340500
Milwaukee, WI 53234-0500 U.S.A.
(800) 558-0607 (414) 671-6350
www.hatcocorp.com
E-mail: equipsales@hatcocorp.com

Printed in U.S.A.



Form No. FHSB-2504
April 2004