



# HOSHIZAKI

## IM-130NE / IM-130WME CUBE ICE MAKER

### Product Description

The IM-130NE (air cooled) and the IM-130WME (water cooled) are self contained ice machines. These models maintain low levels of water- and energy consumption.



- A closed water circuit offers the ultimate contamination protection, by reducing the number of points at which impurities can enter the ice making process.
- Hoshizaki ice makers are micro computer controlled, controlling the ice making process to perform at its best under varying circumstances, without having to make physical adjustments.
- A stainless steel exterior with integrated door handles provides a hygienic and high quality finish.
- Foam injected polyurethane for insulation (HFC free), helps preserve the quality and consistency of the ice produced, reducing the number of production cycles.
- An easily cleanable air filter allows end users to carry out a routine cleaning schedule, extending product life expectancy and reducing the frequency and costs of maintenance call-outs.
- Removable door gaskets help prevent any heat and contamination from entering the bin as well as making your Hoshizaki product easy to clean and maintain.

### Available Models

IM-130NE (Air Cooled)
IM-130NE-23 (Air Cooled)
IM-130WME (Water Cooled)

### Ice Cubes

Model	Size	Shape
IM-130NE / WME	Large (Standard) 28 x 28 x 32 mm	
IM-130NE-23	Medium Large (23) 28 x 28 x 23 mm	

### Bins

Model	Type of Bin	Bin Capacity
IM-130NE	Self contained	50kg
IM-130WME	Self contained	50kg

### Production

Model	Ice Production per 24h (Dimple Size)	Temperature	Ice Production per Cycle	Water Consumption per 24h *
IM-130NE	Approx. 130kg (15mm) / 100kg (5mm) Approx. 112kg (15mm) / 104kg (5mm) Approx. 96kg (15mm) / 88kg (5mm)	AT.10°C, WT.10°C AT.21°C, WT.15°C AT.32°C, WT.21°C	Approx. 1,8kg / 80pcs	Approx. 0,53m <sup>3</sup> Approx. 0,26m <sup>3</sup> Approx. 0,22m <sup>3</sup>
IM-130WME	Approx. 127kg Approx. 112kg Approx. 105kg	AT.10°C, WT.10°C AT.21°C, WT.15°C AT.32°C, WT.21°C	Approx. 1,6kg / 80pcs	Approx. 1,02m <sup>3</sup> Approx. 0,73m <sup>3</sup> Approx. 0,56m <sup>3</sup>

\*) for ice making purposes only

### Two year warranty

For more information visit our website at [www.hoshizaki-europe.com](http://www.hoshizaki-europe.com)  
Hoshizaki Europe B.V. retains the right to change products and their specifications without prior notice.

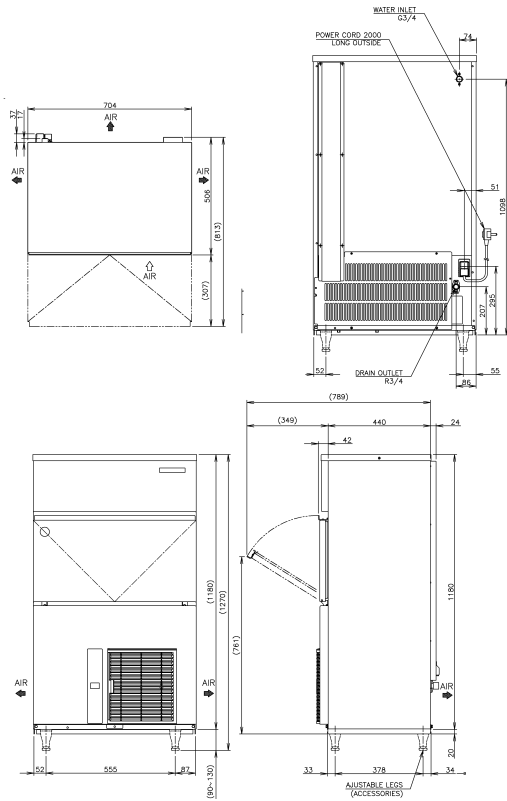




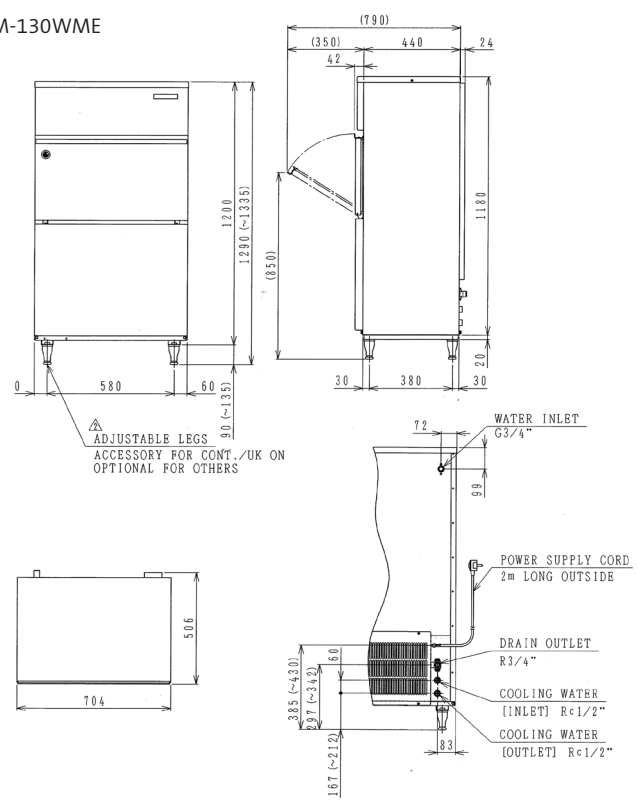
# HOSHIZAKI

## IM-130NE / IM-130WME CUBE ICE MAKER

IM-130NE



IM-130WME



D10255 / 2011.11.23 • 98031 / 1998.01.29

Specification	IM-130NE (Air Cooled)	IM-130WME (Water Cooled)
<b>AC Supply Voltage</b>	1 PHASE 220-240V 50Hz	1 PHASE 220-240V 50Hz
<b>Amperage (AT.32°C, WT.21°C)</b>	4.5A	4.2A
<b>Electric Consumption (AT.32°C, WT.21°C)</b>	700W	640W
<b>Exterior</b>	Stainless Steel, Galvanized Steel (Rear)	Stainless Steel, Galvanized Steel (Rear)
<b>Insulation</b>	Polyurethane Foam	Polyurethane Foam
<b>Insulation Foam Blowing Agent</b>	Water blown	Water blown
<b>Connections-Electric</b>	Y-Type Con. (with CONT. Plug or UK Plug)	Y-Type Con. (with CONT. Plug or UK Plug)
<b>Connections-Water Supply</b>	Inlet 3/4" (connected at rear side)	Inlet 3/4" (connected at rear side)
<b>Connections-Drain</b>	Outlet 3/4" (connected at rear side)	Outlet 3/4" (connected at rear side)
<b>Ice Making System</b>	Closed Cell Type	Closed Cell Type
<b>Condenser</b>	Air-cooled	Water-cooled, Tube in Tube type
<b>Heat Rejection (AT.32°C, WT.21°C)</b>	1880W	1880W
<b>Refrigerant Control</b>	Thermostatic Expansion Valve	Thermostatic Expansion Valve
<b>Refrigerant Charge</b>	R404A	R404A
<b>Ice Making Control System</b>	Thermistor, Timer	Thermistor, Timer
<b>Bin Control System</b>	Microswitch with Time Delay	Microswitch with Time Delay
<b>Electrical Protection</b>	Class I Appliance, 5A Fuse	Class I Appliance, 5A Fuse
<b>Compressor Protection</b>	Auto- reset Overload Protector	Auto- reset Overload Protector
<b>Ice Maker Protection</b>	Interlock by Controller Board	Interlock by Controller Board
<b>Dimensions Product excl. Packaging</b>	704 x 506 x 1200 (W x D x H, mm)	704 x 506 x 1200 (W x D x H, mm)
<b>Dimensions Product incl. Packaging</b>	830 x 620 x 1395 (W x D x H, mm)	844 x 614 x 1330 (W x D x H, mm)
<b>Weight Gross / Net</b>	84 kg / 76 kg	92 kg / 82 kg

Operation Requirements	
<b>Ambient Temperature</b>	1 - 40°C
<b>Water Supply Temperature</b>	5 - 35°C
<b>Water Supply Pressure</b>	0,7-7,8 bar (0,07-0,78MPa)
<b>Voltage Range</b>	Rated Voltage ± 6%

Accessories
Scoop
Leg
Installation Kit

For more information please contact your local sales office:

Hoshizaki Belgium:  
Hoshizaki Deutschland:  
Hoshizaki France:  
Hoshizaki Iberia:  
Hoshizaki Middle East:

info@hoshizaki.be  
info@hoshizaki.de  
info@hoshizaki.fr  
info@hoshizaki.es  
sales@hoshizaki.ae

Hoshizaki Nederland:  
Hoshizaki United Kingdom:  
Other countries:

sales@hoshizaki.nl  
uksales@hoshizaki.co.uk  
sales@hoshizaki.nl

[www.hoshizaki-europe.com](http://www.hoshizaki-europe.com)