

GDM-33-HC-LD

 Upright Retail Merchandiser Refrigerator, 2 Full Glass Slide Doors



| Dimensions | |
|------------------------------------|--|
| External Width (mm) | 1004 |
| External Depth (mm) | 753 |
| External Height (mm) | 1998 |
| Exclusions | Depth does not include 10 mm for door handle or 13 mm for rear access panel. |
| Net Volume (Litres) | 636 |
| Gross Volume (Litres) | 932 |
| Display Area (?) | 0.94 |
| Supplied Shelves | 8 |
| Shelf Size (L x D mm) | 439 x 537 |
| Internal Net Height (mm) | 1300 |
| Unpackaged Weight (kg) | 157 |
| Packaged Weight (kg) | 168 |
| Packaged Dimensions (W x D x H mm) | 1093 x 839 x 2134 |
| Supplied Supports | Leg Levellers (Castors supplied separate) |

| Build | |
|-----------------------|---|
| Door Description | 2 Full Glass Slide Doors |
| Exterior Construction | Stainless Steel/Aluminium front, Aluminium sides and rear (Black or White Powder Coat option) |
| Interior Construction | White coated aluminium, stainless steel base |
| Air Intake Position | Front |
| Ventilation Position | Rear |
| Clearance Required | 26 mm rear, zero sides |
| Cord Length (Meters) | 2.74 |
| Internal Lighting | LED |
| Standard w/ Locks | Not Standard. Options available. |

| Technical | |
|-----------------------------|---|
| Temperature Holding | 0.5 : 3.3°C |
| Refrigerant | R290 |
| Voltage / Frequency / Phase | 220-240V/50Hz/1 |
| Amps | 4.6 |
| Wattage | 1058 |
| Temperature Class | M1 |
| Operating Statement | Tested at 25°C, 60% RH, per 'Refrigerators with a Direct Sales Function' for perishable food merchandising. |
| Testing Standard | EN 23953 |
| EEC | C |
| EEL | 25.4 |
| kWh/24hr | 5.66 |
| kWh/Annum | 2066 |
| Defrost Type | Auto |



Specifications subject to change without notice.
Chart dimensions rounded up to the next whole millimeter (inches rounded up to the 1/8")

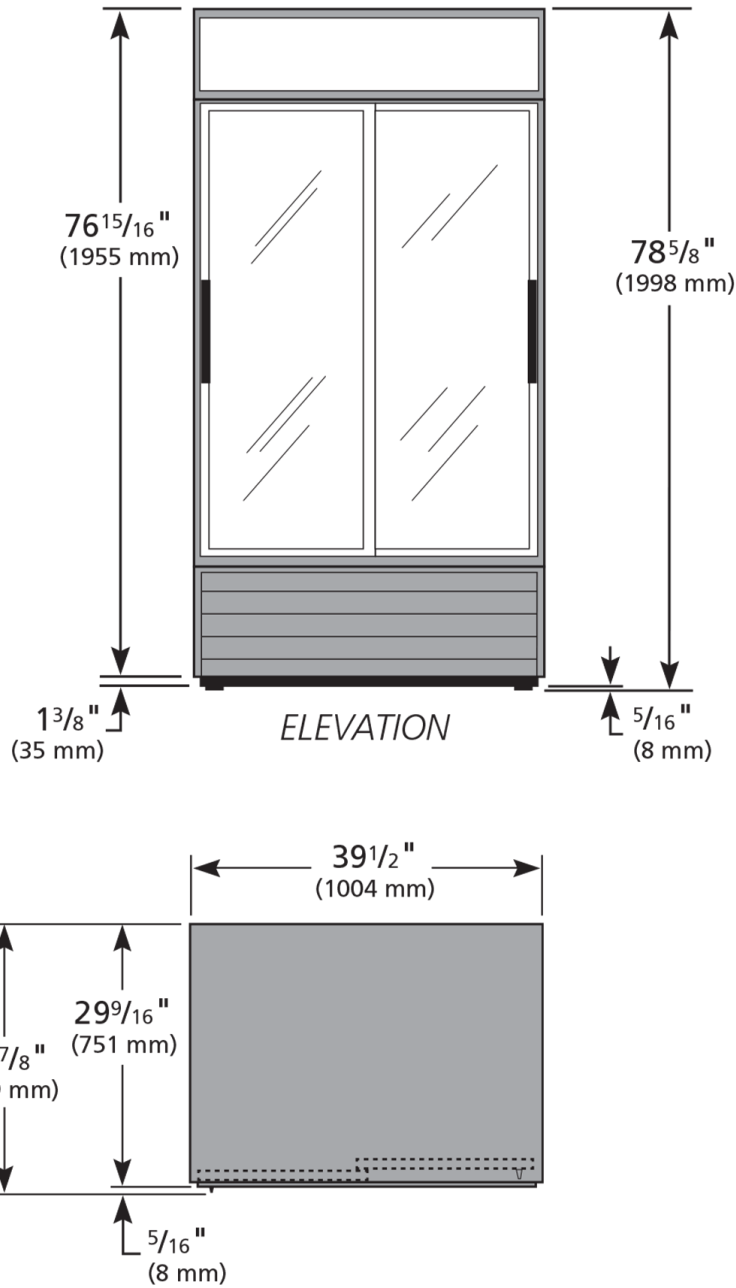
UK & Ireland [0800 783 2049](tel:08007832049)
Europe [+49 \(0\) 7622 6883 0](tel:+490762268830)
Australia [+61 2 9619 9999](tel:+61296199999)

TFIUK@truemfg.com
TrueGermCustomerService@truemfg.com
TrueRefAus@truemfg.com



GDM-33-HC-LD

Upright Retail Merchandiser Refrigerator, 2 Full Glass Slide Doors



Specifications subject to change without notice.
Chart dimensions rounded up to the next whole millimeter (inches rounded up to the 1/8")

UK & Ireland
Europe
Australia

0800 783 2049
+49 (0) 7622 6883 0
+61 2 9619 9999

TFIUK@truemfg.com
TrueGermCustomerService@truemfg.com
TrueRefAus@truemfg.com

