

# C Range undercounter DISHWASHER



## C512D

### Maidaid **C512D** Features

- **2 year warranty**
- Four button bright LED line display with soft touch controls, twin traffic lights giving instant status updates & operational self-diagnostics



- Alarms menu with hi-level information retrieval
- Quick release parallel wash & rinse arm design
- Breaktank as standard
- Drain pump as standard
- Three standard cycle time options with further options available
- Cycles times can be tailored to site requirements
- Automatic self-cleaning at end of service
- Selectable energy saving mode
- Selectable thermostop ensures optimum rinse temperatures
- Patented dual flow wash pump – reducing power consumption whilst retaining wash efficiency
- Moulded wash tank for easy cleaning
- Moulded rack guide giving partial double skin
- Surface scrap tray filters supplied as standard
- Accurate detergent & rinse aid peristaltic dosing pump as standard

Gravity drain version  
available: **C512**



Supplied with one pegged (capable of holding 18 10" plates), one open rack (capable of holding 25 pint glasses) and cutlery insert.

Additional racks can be purchased at point of order: **Z972001** & **Z972003**



For additional information contact our Sales Team on

T: **0345 130 8070** E: **sales@maidaid-halcyon.co.uk** or visit **www.maidaid.co.uk**

# C Range undercounter DISHWASHER

## C512D

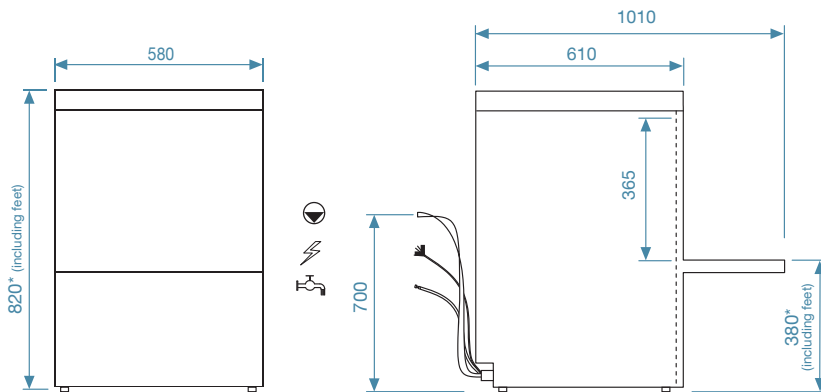


### Technical Data

Dimensions (W x D x H)	mm	580 x 610 x 810 + Feet	Wash tank element	kW	2.1
Feet height	mm	10-20	Boiler element	kW	6
Rack size	mm	500 x 500	Wash pump	kW	0.47
Maximum useable height	mm	340	Tank capacity	L	20
Door opening	mm	365	Noise emission	dB	≤ 55
Theoretical productivity	Racks/h	51	<b>Packaging Specs</b>		
Effective productivity	Racks/h	36*	Gross weight	Kg	67
			Cubic volume	m <sup>3</sup>	0.45
			Dim. (W x D x H)	mm	670 x 690 x 980

\*Allowing 30 seconds for reloading  
Cycle times may vary depending on local conditions/services

### Installation Diagram – All services must be within 1 meter





\*Height-adjustable feet + 10mm

### Power Supply

Installed power	AMP	kW
230V – 50Hz – 1N	13	2.6
	20	4.5
	30*	6.5
Optional 3 Phase config	Total load 6.5kW	
Fused	16 amp	

\*Standard configuration

 **Pumped waste into upstand, maximum height 700mm**

 **Power**  
 **Water supply 2 – 4 bar**

### Water Connection

Inlet water pressure	Bar	2 to 4
Flow rate L/Min	L/Min	6
Water inlet temp	°C	10 to 50
Water connection	BSP	¾"
Waste connection	Ø	Int 19/ext 24

### Cycle Information

Number of standard cycles		3
Standard cycles times	Sec	70/90/180 – adjustable
Special cycle		Eco, Glass, Long
Self-cleaning cycle		Yes
Water consumption per cycle	L	2
Wash temperature	°C	60 – adjustable
Rinse temperature	°C	82 – adjustable

For additional information contact our Sales Team on

T: **0345 130 8070** E: **sales@maidaïd-halcyon.co.uk** or visit **www.maidaïd.co.uk**