

# Halcyon AMH80

pass through  
DISHWASHER

halcyon®

## Halcyon AMH80 Features

- **1 year warranty**
- Three button bright LED display with soft touch controls and alarms menu
- Dosing set up by fascia controls
- Accurate detergent and rinse aid peristaltic dosing pumps
- Dosing set up by fascia controls
- Easy clean parallel wash and rinse arm assembly
- Optional surface scrap tray filters



Supplied with one pegged (capable of holding 18 10" plates), one open rack (capable of holding 25 pint glasses) and cutlery insert.

Additional racks can be purchased at point of order: **Z972001** & **Z972003**



Drain pump version  
available: **AMH80 D**

For additional information contact our Sales Team on

T: **0345 130 8070** E: **sales@maidaid-halcyon.co.uk** or visit **www.maidaid.co.uk**

# Halcyon AMH80

## pass through DISHWASHER



### Technical Data

Dimensions (W x D x H)	mm	640 x 745 x 1335 + Feet
Feet height	mm	165-225
Rack size	mm	500 x 500
Maximum useable height	mm	435
Door opening	mm	460
Theoretical productivity	Racks/h	40
Effective productivity	Racks/h	30*

\*Allowing 30 seconds for reloading  
Cycle times may vary depending on local conditions/services

Wash tank element	kW	2.1
Boiler element	kW	6.0
Wash pump	kW	0.47
Tank capacity	L	15
Noise emission	dB	≤ 65

### Packaging Specs

Gross weight	Kg	95
Cubic volume	m <sup>3</sup>	0.98
Dim. (W x D x H)	mm	760 x 840 x 1520

### Power Supply

Installed power	AMP	kW
230V – 50Hz – 1N	20	4.5
	30*	6.5
Optional 3 Phase config	Total load 6.5kW	
Fused	16 amp	

\*Standard configuration

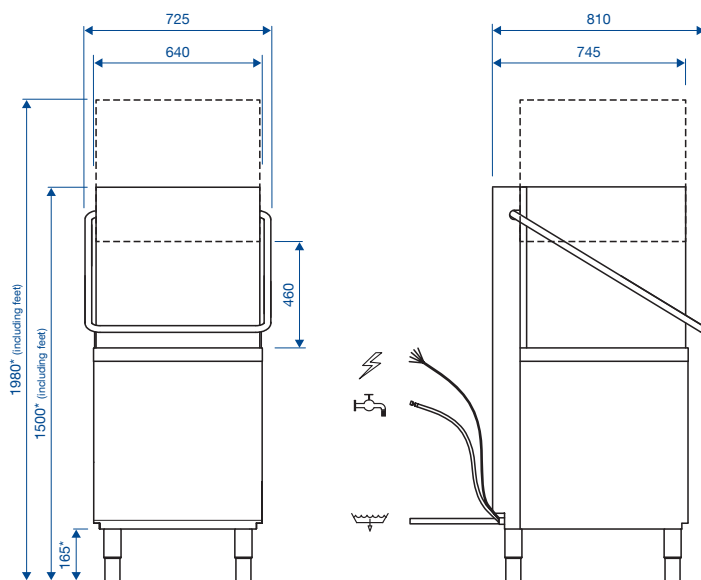
### Water Connection

Inlet water pressure	Bar	2 to 4
Flow rate L/Min	L/Min	6
Water inlet temp	°C	10 to 50
Water connection	BSP	¾"
Waste connection	Ø	Int 29/ext 34

### Cycle Information

Number of standard cycles	2	
Standard cycles times	Sec	90/180
Special cycle	Long	
Self-cleaning cycle	Partial clean	
Water consumption per cycle	L	2.5
Wash temperature	°C	60 – adjustable
Rinse temperature	°C	82 – adjustable

### Installation Diagram – All services must be within 1 meter



\*Height-adjustable feet + 60mm



For additional information contact our Sales Team on

T: **0345 130 8070** E: **sales@maidaid-halcyon.co.uk** or visit **www.maidaid.co.uk**