

# Halcyon AMH50

undercounter  
GLASSWASHER

halcyon®

## Halcyon **AMH50** Features

- **1 year warranty**
- Accurate detergent and rinse aid peristaltic dosing pump
- Dosing set up by fascia controls
- Easy clean parallel wash and rinse arm assembly
- Optional surface scrap tray filters
- Large four button control



Supplied with two open cup/glass racks (capable of holding 25 pint glasses).

Additional racks can be purchased at point of order:

**Z972001**

**Drain pump version available: AMH50 D**  
(drain pump cannot be retro fitted)

For additional information contact our Sales Team on

T: **0345 130 8070** E: **sales@maidaid-halcyon.co.uk** or visit **www.maidaid.co.uk**

# Halcyon AMH50

undercounter  
GLASSWASHER



## Technical Data

Dimensions (W x D x H)	mm	580 x 610 x 810 + Feet
Feet height	mm	10-20
Rack size	mm	500 x 500
Maximum useable height	mm	340
Door opening	mm	365
Theoretical productivity	Racks/h	40
Effective productivity	Racks/h	30*

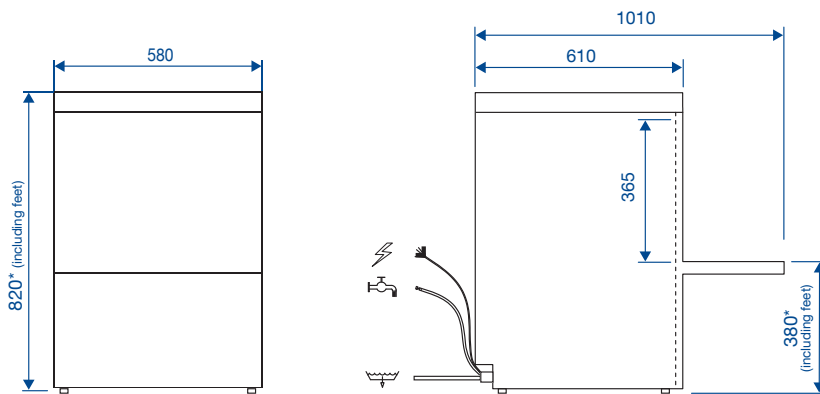
Wash tank element	kW	2.1
Boiler element	kW	6.0
Wash pump	kW	0.47
Tank capacity	L	20
Noise emission	dB(A)	≤ 55

## Packaging Specs

Gross weight	Kg	60
Cubic volume	m³	0.45
Dim. (W x D x H)	mm	670 x 690 x 980

\*Allowing 30 seconds for reloading  
Cycle times may vary depending on local conditions/services

## Installation Diagram – All services must be within 1 meter



\*Height-adjustable feet + 10mm

## Power Supply

Installed power	AMP	KW
230V – 50Hz – 1N	13	2.6
	20	4.5
	30*	6.5
Optional 3 Phase config	Total load 6.5kW	
Fused	16 amp	

\*Standard configuration

- Power**
- Water supply 2 – 4 bar**
- Gravity drain**

## Water Connection

Inlet water pressure	Bar	2 to 4
Flow rate L/Min	L/Min	6
Water inlet temp	°C	10 to 50
Water connection	BSP	¾"
Waste connection	Ø	Int 29/ext 34

## Cycle Information

Number of standard cycles		2
Standard cycles times	Sec	90/180
Special cycle		N/A
Self-cleaning cycle		Partial self clean
Water consumption per cycle	L	2.5
Wash temperature	°C	60
Rinse temperature	°C	65

For additional information contact our Sales Team on

T: **0345 130 8070** E: **sales@maidaid-halcyon.co.uk** or visit **www.maidaid.co.uk**