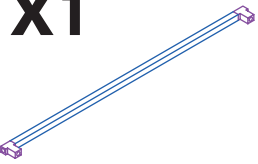
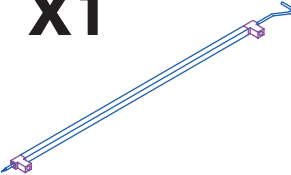
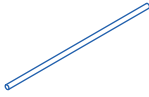
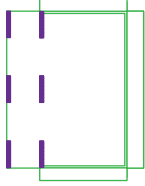


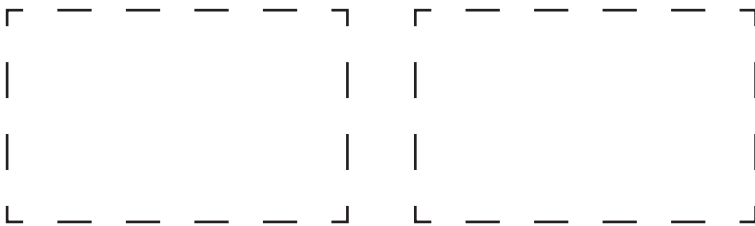
**NO ORDINARY WINDBREAKS**



**Gate Colour**

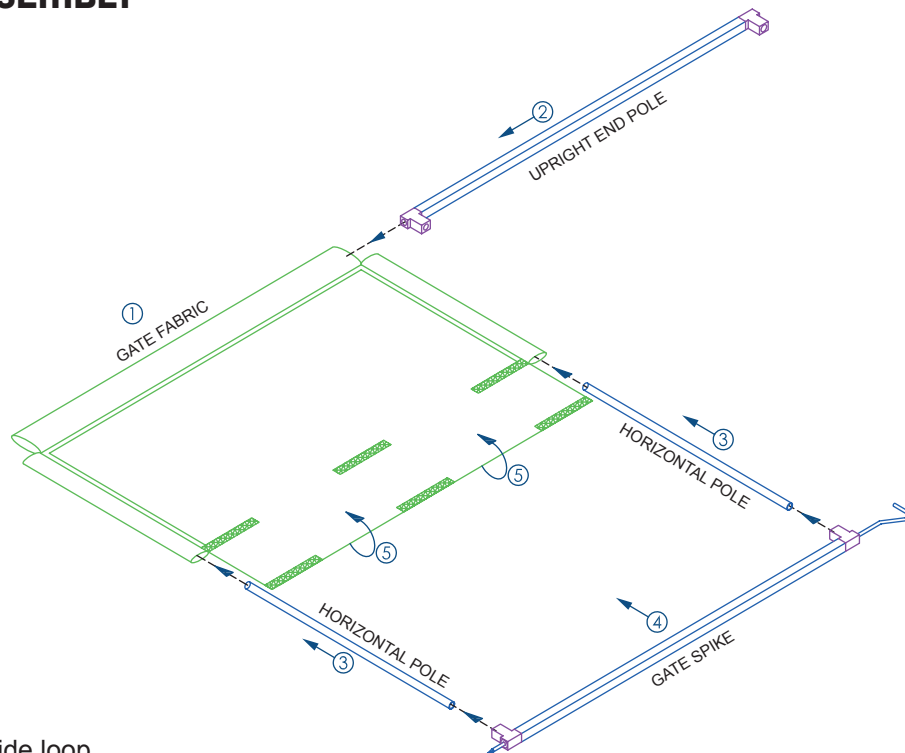


<p><b>X1</b></p>  <p><b>UPRIGHT END POLE</b></p>	<p><b>X1</b></p>  <p><b>GATE SPIKE</b></p>	<p><b>X2</b></p>  <p><b>GATE POLE</b></p>	<p><b>X1</b></p>  <p><b>GATE FABRIC</b></p>
--	---	--	--



Scan the code and watch the video instructions

## CONSTANT USE GATE ASSEMBLY



1. Lay on lawn the gate fabric
2. Slide the "Upright End Pole" in the Side loop
3. Slide the "Horizontal Poles" on the top and bottom Loop
4. Fit the "gate spike" into the "Horizontal Poles"
5. Wrap the fabric on the "gate spike" trough the velcro straps.

