

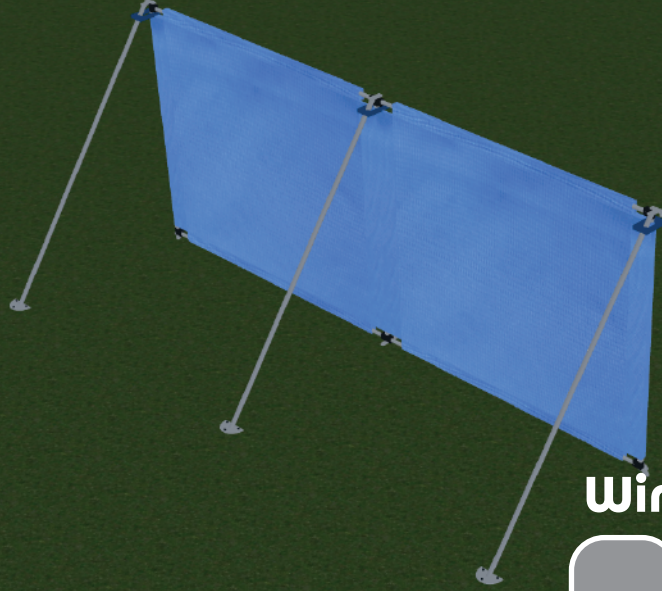
**3 Metre Straight Extension**

**V2**

**WB3M-V2**

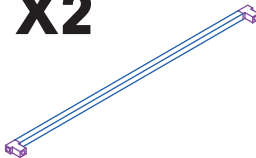

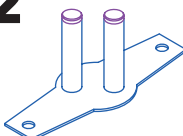
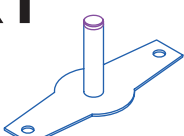
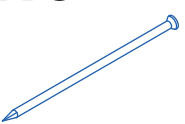
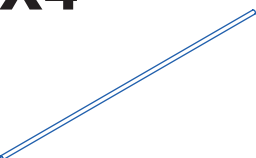
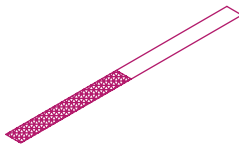
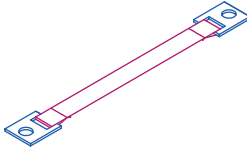
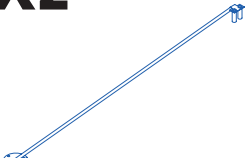
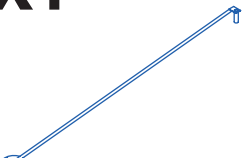
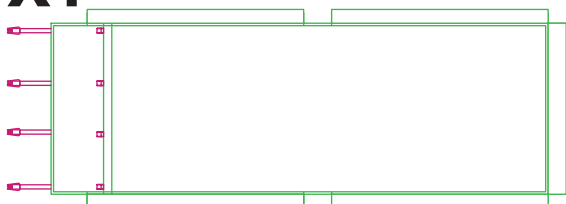
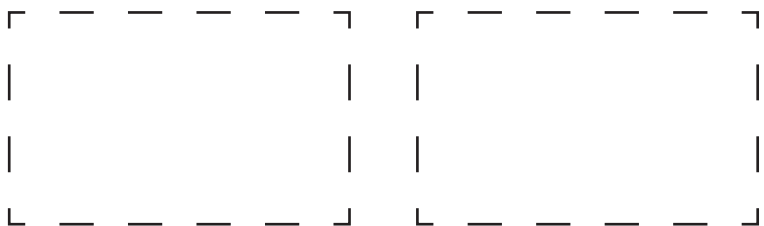
**NO ORDINARY WINDBREAKS**

The 3 metre Straight extension is ready to be connected with your existing windbreak no extra part are needed



**Windbreak Colour**

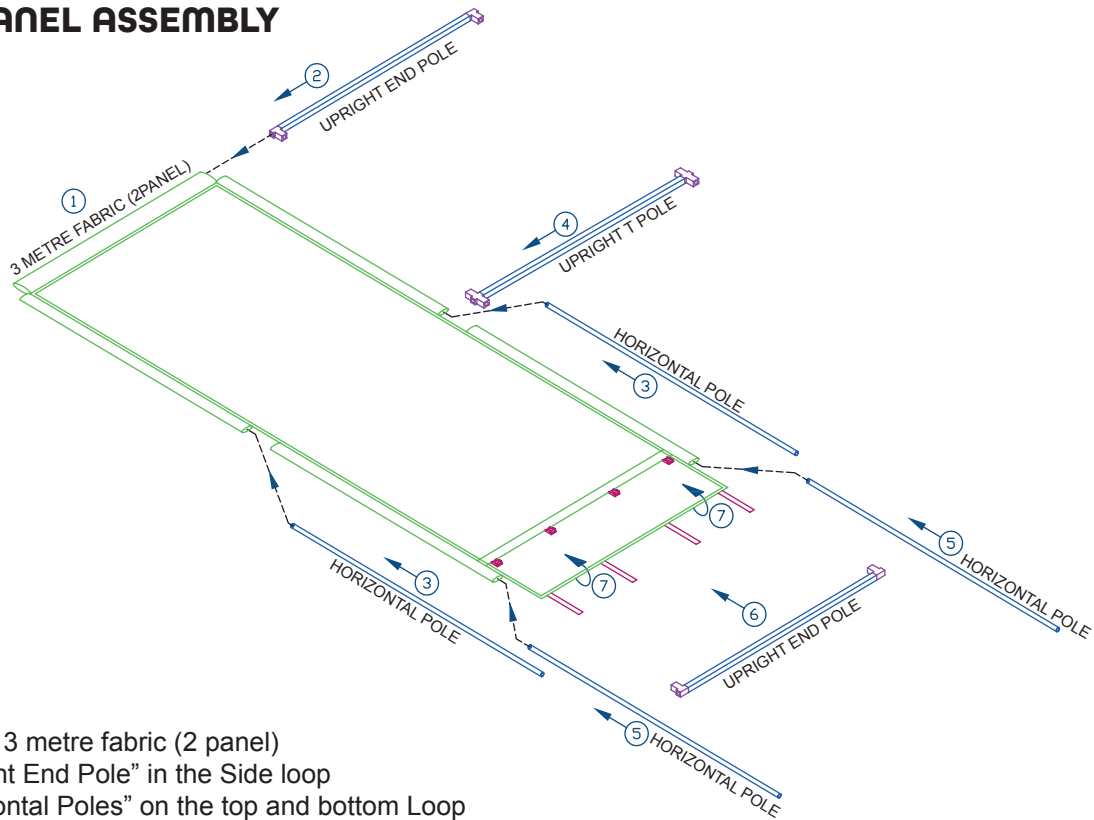


<p><b>X2</b></p>  <p><b>UPRIGHT END POLE</b></p>	<p><b>X1</b></p>  <p><b>UPRIGHT T POLE</b></p>	<p><b>X2</b></p>  <p><b>DOUBLE GROUND PLATE</b></p>	<p><b>X1</b></p>  <p><b>SINGLE GROUND PLATE</b></p>	<p><b>X15</b></p>  <p><b>GROUND PEG</b></p>
<p><b>X4</b></p>  <p><b>HORIZONTAL POLE</b></p>	<p><b>X3</b></p>  <p><b>VELCRO STRAP</b></p>	<p><b>X3</b></p>  <p><b>NYLON STRAP</b></p>	<p><b>X2</b></p>  <p><b>DOUBLE PIN SUPPORT POLE</b></p>	<p><b>X1</b></p>  <p><b>SINGLE PIN SUPPORT POLE</b></p>
<p><b>X1</b></p>  <p><b>3 METRE FABRIC (2 PANEL)</b></p>				

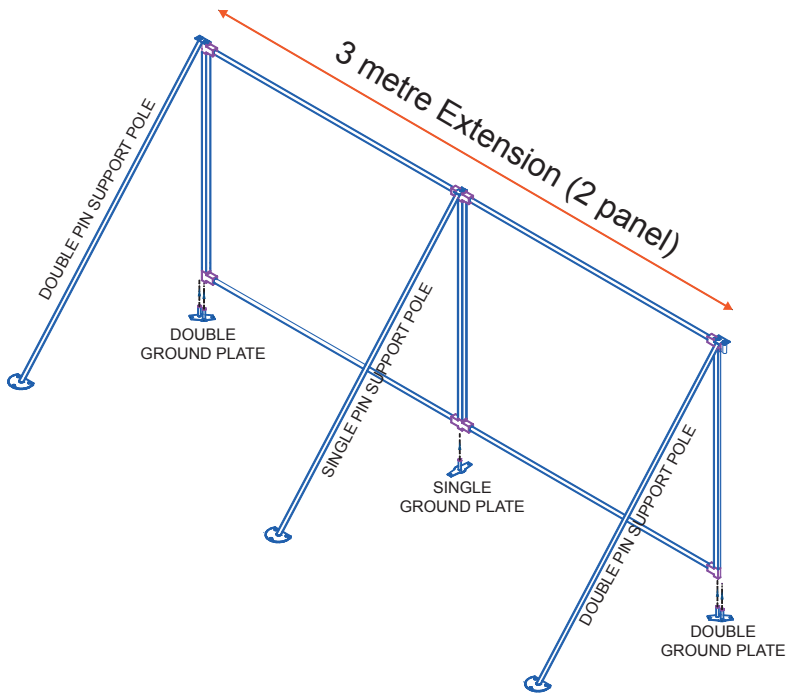
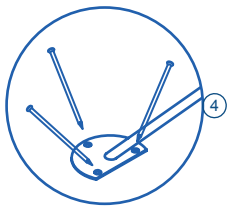


Scan the code and watch the video instructions

## 3 METRE PANEL ASSEMBLY



1. Lay on lawn the 3 metre fabric (2 panel)
2. Slide the "Upright End Pole" in the Side loop
3. Slide the "Horizontal Poles" on the top and bottom Loop
4. Lay on the "Upright T Pole" and fit it onto the "Horizontal Poles"
5. Slide the other 2 "Horizontal Poles" into the top and bottom loop push them into the "Upright T Poles"
6. Fit the "Upright End Pole" into the "Horizontal Poles"
7. Wrap the fabric on the "Upright End Pole" through the Plastic Buckle Clip, then pull the Plastic Buckle straps to tension the fabric.



NYLON STRAP



VELCRO STRAP



1. Lay on the lawn the ground plates
2. Fit the sections on the ground plates
3. Add the support poles
4. Nail down to the ground the support poles
5. Add the nylon straps and nail down with the ground plate
6. Add the velcro strap to hold the support pole with the section.