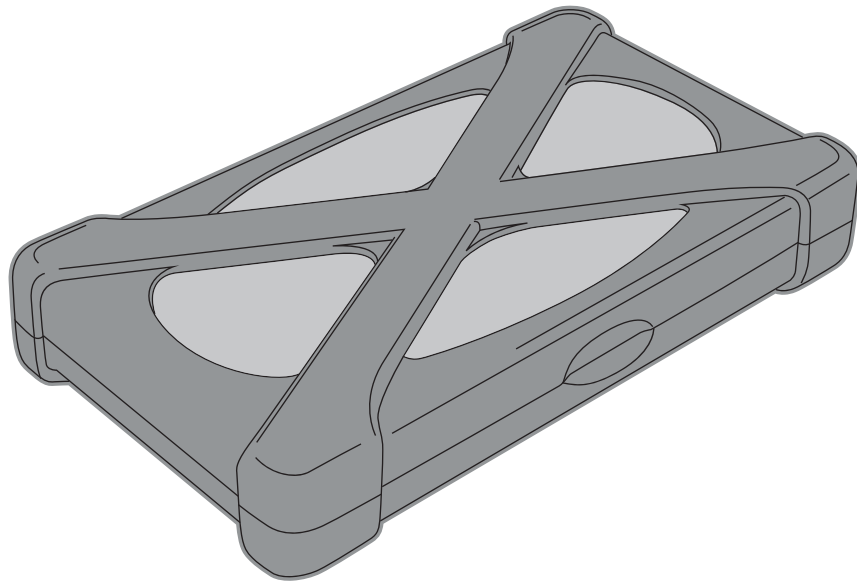




# **TRITON<sup>®</sup> T3R**

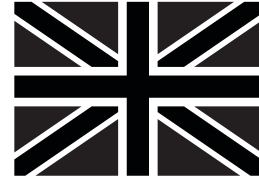
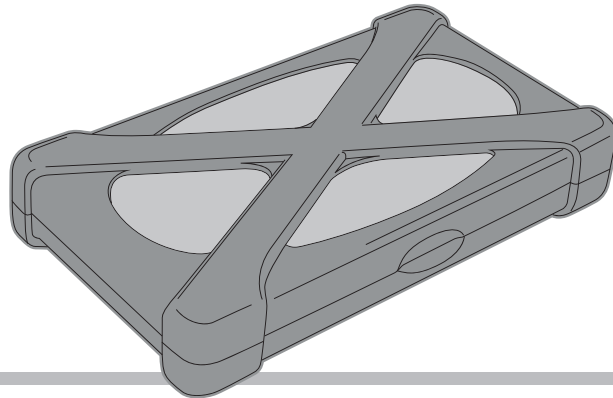
**500G X 0.01G CAPACITY**



## **USER MANUAL**

# TRITON® T3R

500G X 0.01G CAPACITY



ENGLISH

## USER MANUAL

---

Thank you for purchasing the My Weigh® TRITON® T3R-500 digital pocket scale. Please read all operating instructions carefully before use. This electronic scale is a precision instrument. With normal care and proper treatment, it will provide years of reliable service. For more information please visit [www.myweigh.com](http://www.myweigh.com).

Never load the scale with more than the maximum capacity. Although the TRITON® T3R-500 is designed to be extremely durable with extra overload protection built into the case, overloading will permanently damage it! Avoid any exposure to extreme heat or cold, your scale works better when operated at normal room temperature. Keep your scale in a clean environment. Dust, dirt, moisture, vibration, air currents and/or a close proximity to other electronic equipment can all cause an adverse effect on the reliability and accuracy of your scale. Handle with care. Gently apply all items to be weighed onto tray top. Avoid shaking, dropping or otherwise shocking the scale. Scales are delicate instruments and unlike cellular phones, scales have delicate sensors that determine how much an item weighs. If you drop or shock your scale, these sensors “feel” the shock and are sometimes destroyed. This happens with all digital scales. We design our scales to be as resistant to shock or drops as possible, however there is no way for us to protect 100% against load cell or sensor damage. Failure to follow these instructions will void your warranty.

Always allow the scale to acclimate to normal room temperature for at least one hour before use. Give your scale sufficient warm up time. Usually 30-60 seconds before calibration to give the internal components a chance to stabilize.

## PRECAUTIONS BEFORE USING THE SCALE

---

1. Do not overload the scale in order to protect the sensor from damages.
2. Items should always be placed on the center of the platform when being weighed.
3. Do not drop or shock the scale.
4. Clean the scale with a damp cloth, DO NOT immerse the scale in water or use chemical/abrasive cleaning agents.

## RECHARGEABLE BATTERY


---

The My Weigh® TTRITON® T3R-500 uses an internal rechargeable battery which can be charged through the Micro USB port. When fully charged the battery facilitates up to 40 hours of continuous use. The LED light will blink red when below 10% battery remaining indicating you need to charge the scale. The LED light will turn red during charging and green when the scale is fully charged. NOTE: The LED light is located next to the charging port on the scale.

## OPERATION INSTRUCTIONS

---

### Weighing Procedures

1. Press [  ] to turn on or off the scale.
2. Press [UNIT] to select a weighing unit g, oz, gn, ct, ozt, dwt
3. Start weighing

### Tare

Tare can be used for eliminating the weight value of an empty container. Place an empty container on the scale and press [→0←]. After 3 seconds place the items to be weighed in the container. NOTE: When all weight is removed from the weighing tray, the tared value of a container will be displayed as a negative number. Press [→0←] again to return the scale to zero.


## CALIBRATION

---

When to calibrate - calibration is recommended for best results. Calibration may be required when the scale is first set up for use, or if the scale is moved to a different altitude or new location. This is necessary because the weight of a mass in one location is not necessarily the same in another location. Also, with time and use, mechanical deviations can occur.

### Calibration Procedure for T3R-500

\*\*you must have 1 x 200g & 1 x 500g weight in order to calibrate\*\*

1. Turn the scale OFF and place it on a flat, very stable surface.
2. Press the [  ] key, the display will show "0.00".
3. Press and hold the [UNIT] KEY for 5 seconds, the display will show "CAL".
4. Press [UNIT] again, the display will show "200.00".
5. Gently place the 200g weight on the tray, the display will show "500.00".
6. Remove the 200g and place the 500g weight on the tray and wait 3 seconds.
7. The display will show "PASS". Calibration is complete. Gently remove the weights.

## FEATURES

---

### **Weighmeter™ Technology**

On the side of the display you will notice a series of bars that increase as the load on the scale increases. This is our Weighmeter™ invention. It shows the remaining capacity on the scale and also indicates overloading. Please use the Weighmeter™ to monitor your weighing loads and please do not overload the scale.

### **Power Up Segment Test**

When first turning the unit on, the scale will run a quick diagnostic and it will display a countdown. This display will remain for a few seconds and then reset to zero.

### **Overload indicator**

When the display shows "O\_LD", this indicates an overload. Remove excessive load immediately. Remember: you can permanently damage the scale and void your warranty by overloading it!

### **Negative Value**

Any tared value will be displayed as a negative number once all weight is removed, press [→0←] to re-zero the scale.

### **Auto off**

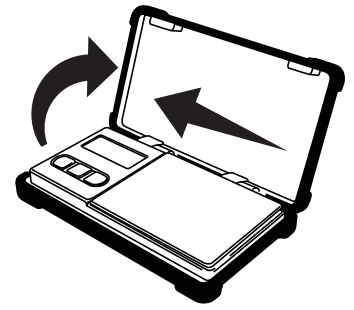
An auto off feature is provided to conserve battery power. The unit will automatically turn off after 60 seconds of inactivity.

### **IPS**

Impact Protection System: the scale is wrapped in an impact absorbent rubber that helps protect the scale from shocks.

## Expansion Tray/Cover

The protective cover of the TRITON® T3R-500 is designed to also be used as a platform expansion tray. The cover can only be removed when the scale is fully open. Simply fully open the scale to unlock the cover and slide the cover towards the left of the scale. The cover can be used as a tray. Place it on the scale's weighing platform and turn the scale ON. The scale will automatically TARE (zero) itself with the tray on the scale (if this does not work properly, you can turn the scale ON, then place the upside-down cover on the tray and press [→0←]). This is perfect for weighing loose objects, gunpowder, gems, Chinese herbs and more. Please keep the protective cover installed when the scale is not in use (it will help protect the scale from possible damage).



## SPECIFICATIONS

<b>Capacity</b>	500g x 0.01g	<b>Units</b>	g, oz, dwt, ozt, gn, ct
<b>Auto-OFF</b>	60 sec.		
<b>Scale dimension</b>	142mm x 82mm x 24mm		
<b>Tray dimension</b>	80mm x 60mm		
<b>Net/gross weight</b>	170g		
<b>Operating temperature</b>	Optimum 10-30°C (50-86°F)		
<b>Power Source</b>	Polymer Li-ion rechargeable battery		



[www.myweigh.com](http://www.myweigh.com)

