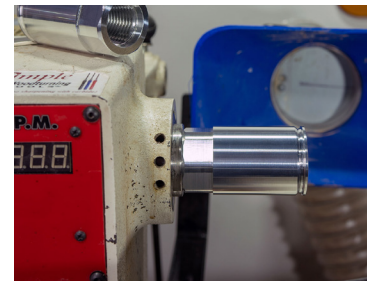
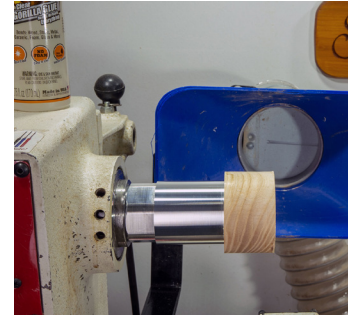


Threaded, reusable, aluminum glue hub

Available with hardwood wasteblock or with no wasteblock



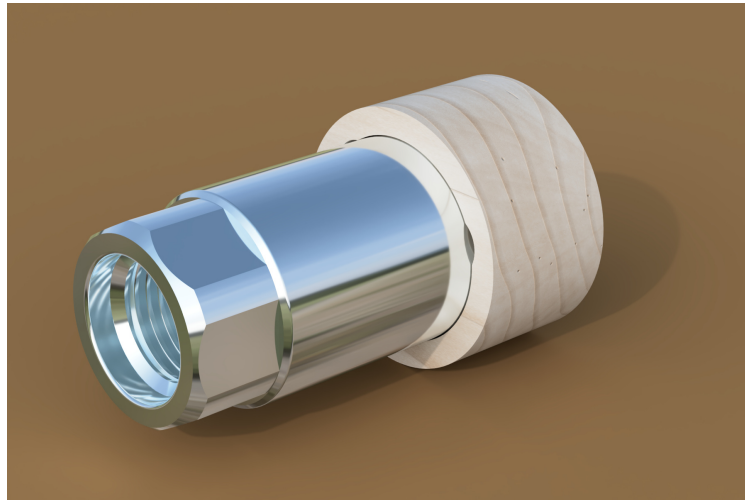
The benefits of the aluminum glue hub

- **SIMPLE:** Turn both inside, outside and bottom without removing and reversing project
- **EXTRA SPACE:** creates more room for shaping bottom or foot as it is smaller than a 4-jaw chuck and moves project away from the headstock
- **SAVES WOOD:** No need to lose wood on a tenon. Consume the waste block when parting your project off
- **LONG LIFE:** Add more fine-grained hardwood to extend waste block
- **REUSABLE:** Aluminum won't crack or break over time
- **REMOVEABLE:** Remove project from lathe multiple times without losing center alignment.
- **CONVENIENT:** No screws or jaws. Thread hub onto lathe, glue your wood project directly to the waste block, use your tailstock to hold, and start turning once the glue dries.
- **THREADED:** Threads directly onto your lathe spindle, or can be reversed and held in tail stock.
- **HOLDS SECURELY:** Waste block features 1/2" deep milled pocket that the glue hub is glued into resulting in a more secure hold than a butt joint. No more coming loose from chuck jaws.
- **LIGHTWEIGHT:** Weighs 16 oz (with waste block) vs 4-jaw chucks that weigh 4+ lbs
- **WORKS WITH RESIN:** Without the waste block this can be glued or molded directly into a resin project.

Glue Hub Details:

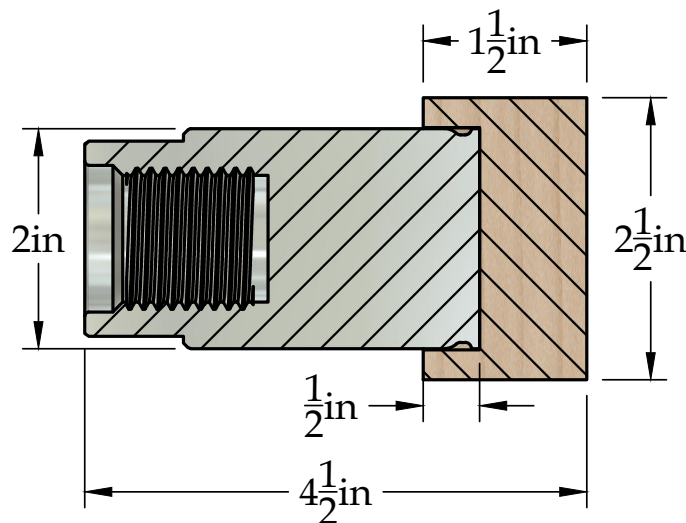
- CNC machined from 6061 aluminum
- 1.95" outside diameter - 3.5" Overall Length
- Choose from either 1" - 8 TPI threads or 1.25" - 8 TPI

Aluminum Threaded Reusable Glue Hub with Waste Block Specifications



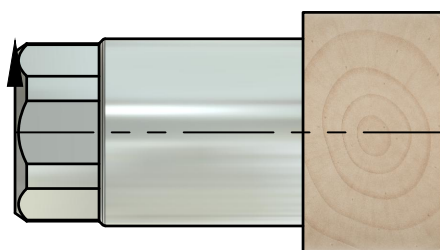
Dimensions of the aluminum glue hub and the waste block

(All dimensions are nominal.)



Here you'll see the waste block glued to the Aluminum Glue Hub with 1/2" deep milled pocket.

The Glue Hub with the waste block attached is 4-1/2 inches long and 2 inches in diameter with the waste block 2-1/2 inches in diameter.



Side Diagram of the Aluminum Glue Hub with the Hardwood Waste Block Attached

