

# HEAT MASTER

by **HYDROQUIP**



## INSTALLATION & OPERATION INSTRUCTIONS

### IMPORTANT INSTRUCTIONS - DO NOT DISCARD

*Your whirlpool bathtub heater has been specifically designed to enhance the enjoyment of your whirlpool bath. Once filled, the warm relaxing temperature of the whirlpool bath is constantly maintained by a built-in thermostat as the whirlpool pump is operating.*

*Your whirlpool bathtub heater is totally self contained to insure trouble free installation and operation. As with all electrical devices, certain safety precautions should be taken during installation and operation. Please read and follow all instructions carefully.*

# IMPORTANT SAFETY INSTRUCTIONS

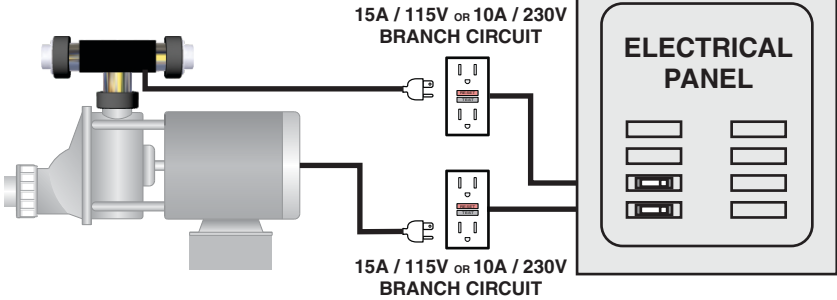
You should have received safety instructions with your whirlpool bathtub system. Please read and follow them carefully. Those instructions will include the following warnings.

1. **WARNING** - Risk of Electrical Shock Do not permit any electrical appliances (such as a light, telephone, radio, or television) within five feet of the whirlpool bathtub.
2. **DANGER** - To reduce the risk of injury, do not remove the suction cover(s) from the whirlpool bathtub.
3. **To Reduce the Risk of Injury:**
  - A. The water in your whirlpool should not exceed 104 Fahrenheit. Lower water temperatures are recommended for extended use (exceeding 10-15 minutes) and are definitely recommended for younger children.
  - B. Pregnant or possibly pregnant women should consult a physician before using the whirlpool. Water temperatures in excess of 100 Fahrenheit are not recommended.
  - C. The use of alcohol, drugs or medication before or during the use of the whirlpool may lead to unconsciousness with the possibility of drowning. Consult your physician before using the whirlpool if you are using any medication.
  - D. Persons suffering from obesity or with a medical history of heart disease, low or high blood pressure, circulatory system problems or diabetes should consult a physician before using the whirlpool.
4. **WARNING** - Risk of Child Drowning To reduce the risk of accidental drowning, do not permit children to use the whirlpool unless they are closely supervised.
5. **WARNING** - Install tub in accordance with local codes to protect the tub area from possible leaks or moisture. Check the pump seal and fittings on a regular basis.

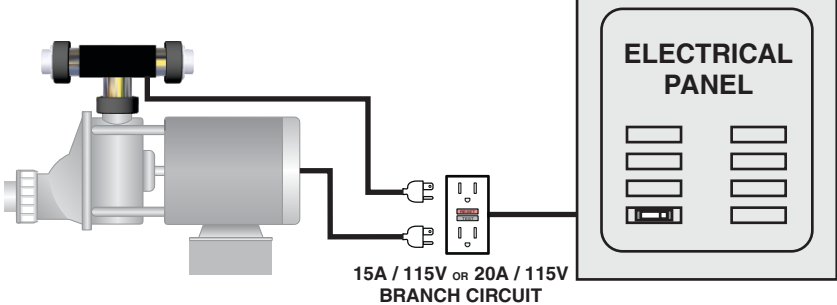
## ELECTRICAL INSTRUCTIONS

**WARNING RISK OF ELECTRICAL SHOCK** - All electrical connections must be accomplished by a qualified electrician in accordance with the National Electric Code and any local codes. In addition, a GFCI MUST protect all branch circuits to the whirlpool, and every electrical component MUST be grounded.

## TWO (2) SINGLE CIRCUITS



## ONE (1) SHARED CIRCUIT



1. Route two separate branch circuits (figure 1) to the junction box near the whirlpool\*. Alternate Power Supply: Route a branch circuit for both pump and heater as shown (figure 2).  
**\*Each branch circuit MUST INCLUDE A GROUND AND BE GFCI PROTECTED.**
2. Use copper conductors only.
3. Insure the heater and pump are properly BONDED as required by local, state or national codes.
4. A timer or air switch can be installed in the pump motor circuit for additional convenience. There is no need to install a timer or air switch in the heater circuit, as all operations are automatic.

**Notice: If your whirlpool bathtub is equipped with adjustable jets, variable speed pump or other flow control system, the pre-set vacuum or pressure switch may not activate the heater if water flow is inhibited. To assure proper heater operation, all jets may need to be fully open and the pump operated at or near maximum flow. Please refer to your whirlpool bath operation manual for additional information.**

## CAUTION

*Before use of the pump and heater, test the GFCI for proper operation. The pump and/or heater should turn off when the GFCI "Test" button is pushed.*

## T-STYLE INSTALLATION

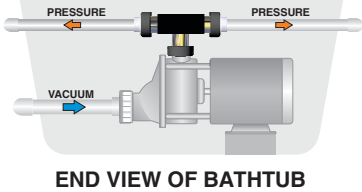


FIGURE 3

## INLINE INSTALLATION

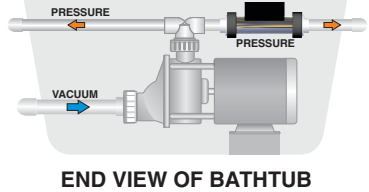


FIGURE 4

## INLINE INSTALLATION

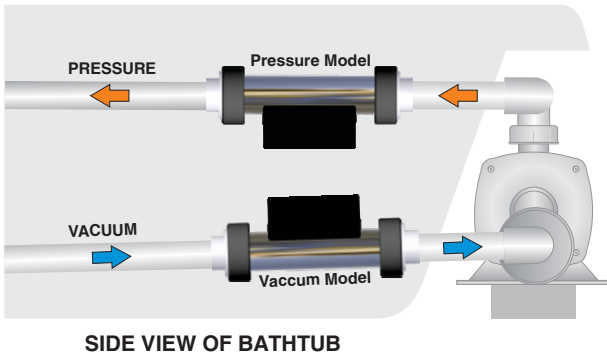


FIGURE 5

## OPERATION

Once the Whirlpool Bath Heater has been installed, operation is totally automatic. The Heater will activate to maintain the temperature of the water in the bathtub.

A “heater on” indicator is included for servicing reasons. This indicator is illuminated while the heater is actively heating the water.

**High-Limit:** The heater includes a high-limit safety device that is designed to trip if the water exceeds a safe, preset, temperature. If the high-limit trips the heater will be disabled until the power has been removed from the heater for sufficient time to allow the heater to cool and the switch to automatically reset. This is most easily accomplished by turning off the circuit breaker to the tub. Should the high limit trip repeatedly do not use the tub until service as been performed.

**Note:** Do not attempt to service, there are no field replaceable parts. Contact a qualified technician for service issues.