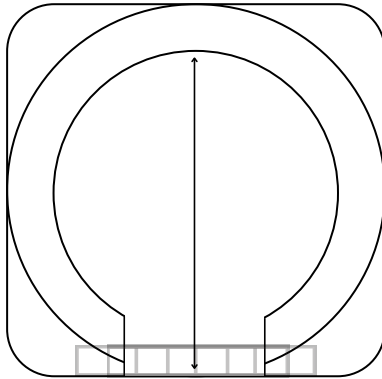
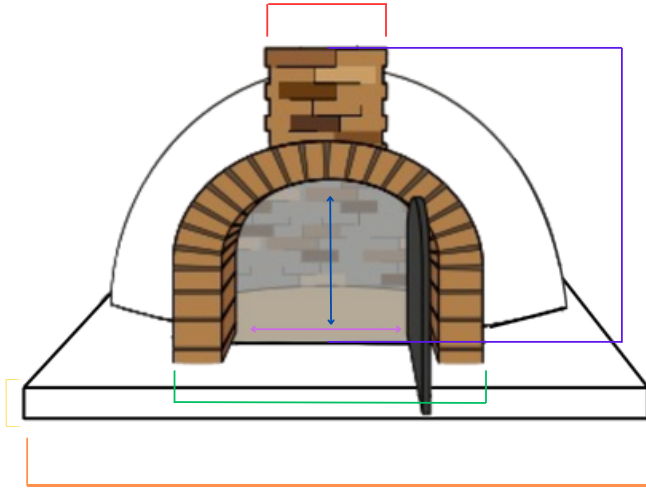

H A N D M A D E B R I C K O V E N S

PROFORNO

Informational Guide

WWW.PROFORNO.COM

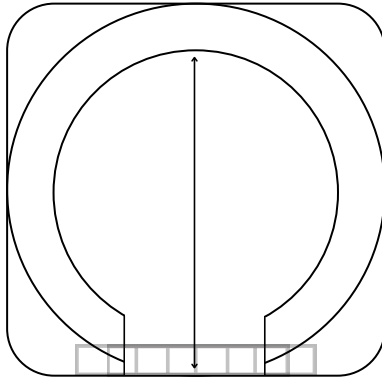
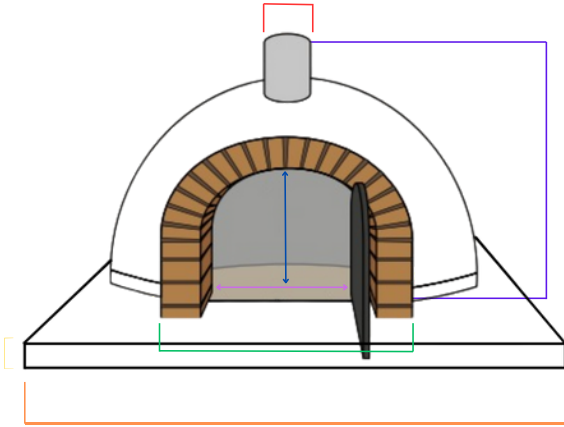
Traditional Brick Ovens



WT: 1200-1400lbs

Oven Name	Chimney	Base L x W	Base Height	Arch Width	Door	Interior Height	Internal Diameter	Dome Height	Interior Length
Dymus	6"	39.5"x39.5"	2.5"	27"	17"x12"	14"	28"	33.5"	33"
New Haven/ Blacksmith/ Sierra Ridge(S)/ Savannah	6"	39.5"x39.5"	2.5"	27"	17"	14"	28"	33.5"	33"
New Haven XL	6"	48"x48"	2.5"	30"	20"x10"	17"	36"	37"	42"
Sierra Ridge (L)	6"	39.5"x39.5"	2.5"	27"	12"	14"	28"	33.5"	33"

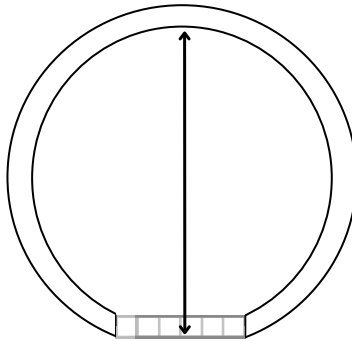
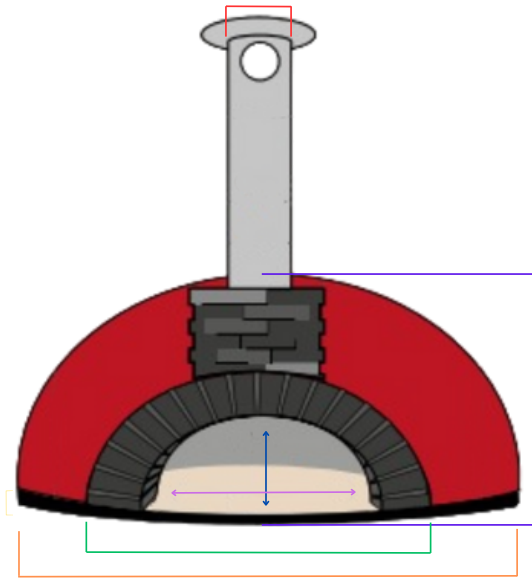
Traditional Brick Ovens



WT: 1200-1400lbs

Oven Name	Chimney	Base L x W	Base Height	Arch Width	Door WxH	Interior Height	Internal Diameter	Dome Height	Interior Length
Royal	5.5"	39.5"x39.5"	2"	27"	15.5"x14"	17"	29"	33"	33"
Romano	6"	43"x43"	2"	30"	20"x10"	16"	32"	32"	36"
Med Pro	8"	43"x43"	2"	30"	19"x12"	15"	31"	31"	36"

Traditional Brick Ovens



WT: 350LBS

Oven Name	Chimney	Base Diameter	Base Height	Arch Width	Door WxH	Interior Height	Internal Diameter	Dome Height	Interior Length
Tonio	5"	36"	3"	21"	16"x9"	14"	28"	21"	32"

