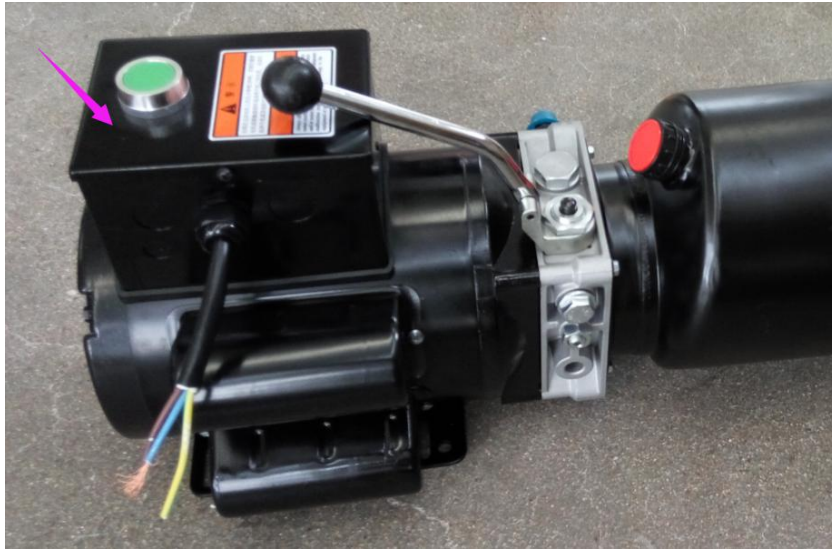
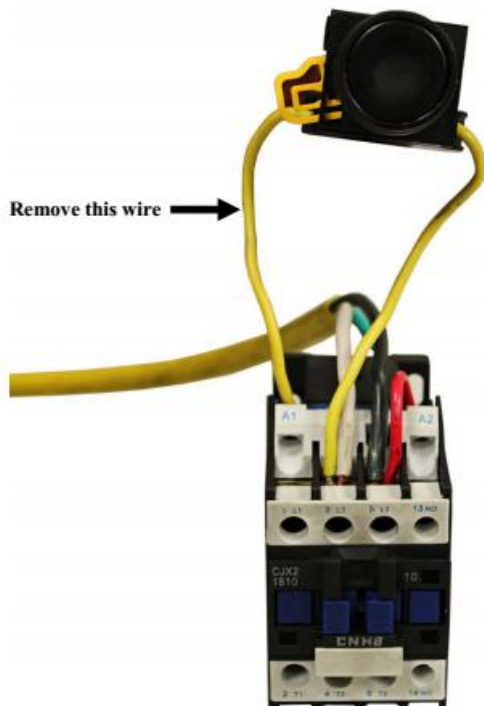


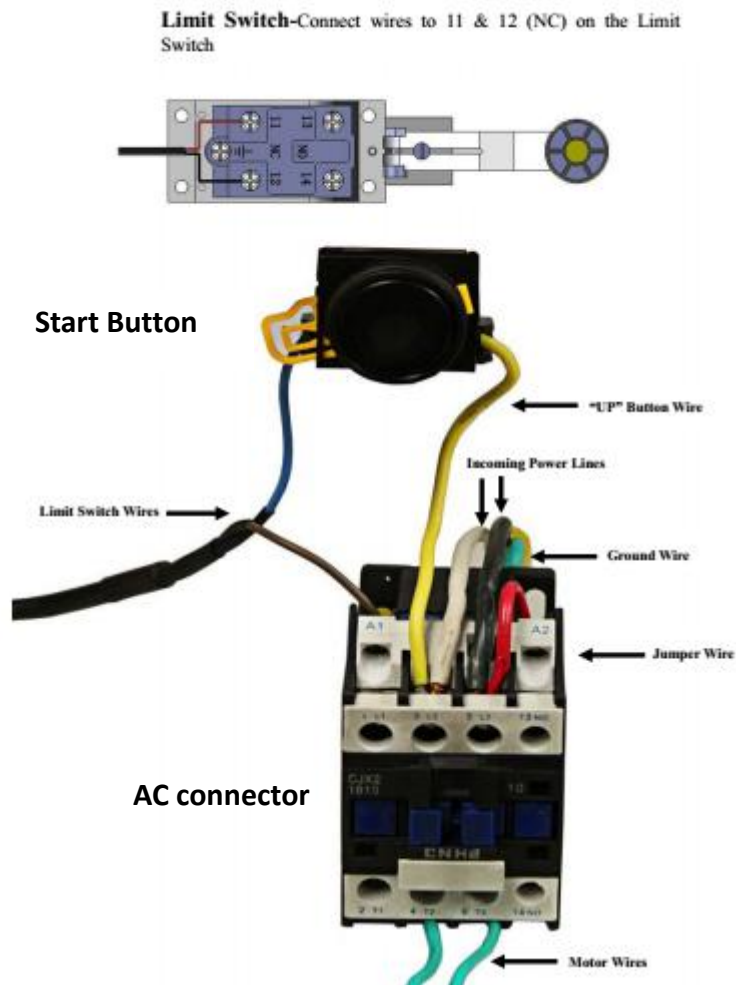
1. Open the panel



2. Remove the wire



3. Connect the limit switch wire to the AC connector & start button.



4. put the panel back & screw up.