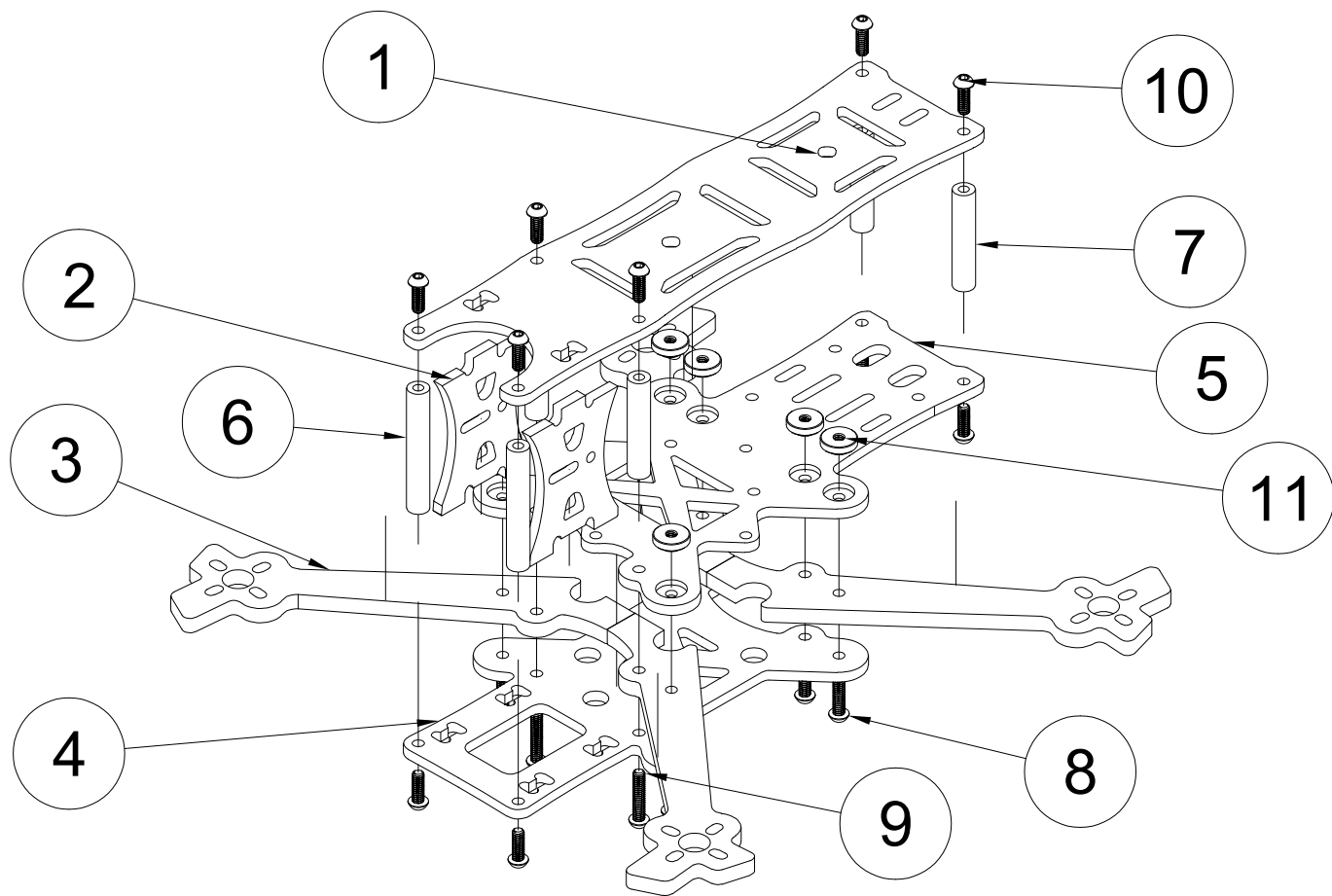
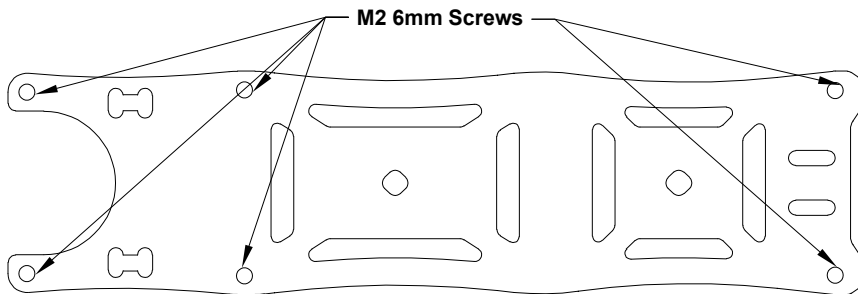


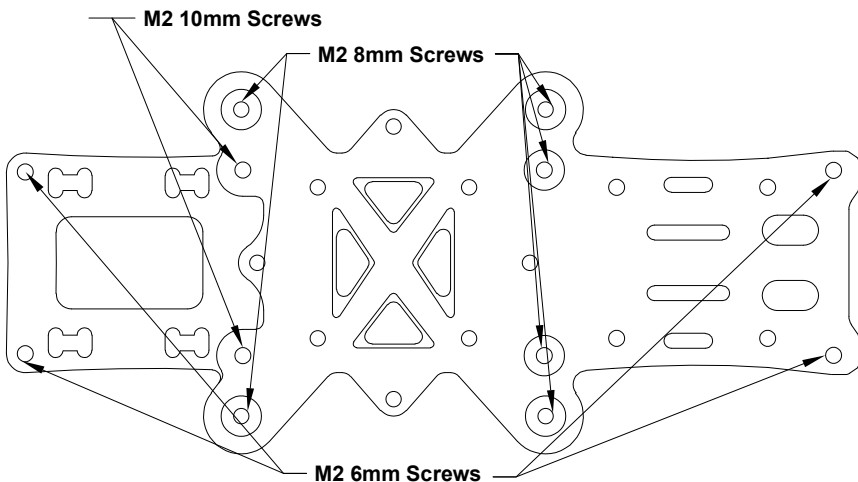
KINTEK S3 FRAME KIT



Screw Locations



Top Plate



Bottom Plate

PARTS LIST

ITEM	PART NAME
1	TOP PLATE
2	CAMERA BRACES
3	ARMS
4	FRONT-BOTTOM PLATE
5	REAR-BOTTOM PLATE
6	M2X25MM STANDOFFS
7	M2X20MM STANDOFF
8	M2X8MM SCREWS
9	M2X10MM SCREWS
10	M2X6MM SCREWS
11	M2 PRESS-FIT NUT

Scan Here for More Info:

