

CP SERIES

CONTAINER FOR TRANSPORT AND STORAGE



TD_CP-SERIES_R5_ENG – 08/07/20



 **COMECER**

an  company

ISO 9001 & ISO 13485 Certified Quality System

1 OVERVIEW

Container for safe transport and storage inside the laboratory of sources and bottles /vials containing radioactive substances. Cylindrical body and plug made of lead and treated with decontaminable epoxy paints. Carrying handle and opening system are made of stainless steel.

2 ACCESSORIES

2.1 STANDARD SUPPLY

- Transport handle
- Lead plug
- Safety lock

3 TECHNICAL DATA

CP2

Weight	kg	15
Pit dimensions	mm	50 x 80 (Ø x h)
External dimensions	mm	110 x 318 (Ø x h)
Shielding (Pb)	mm	30

CP3

Weight	kg	34
Pit dimensions	mm	80 x 140 (Ø x h)
External dimensions	mm	140 x 393 (Ø x h)
Shielding (Pb)	mm	30

CP4

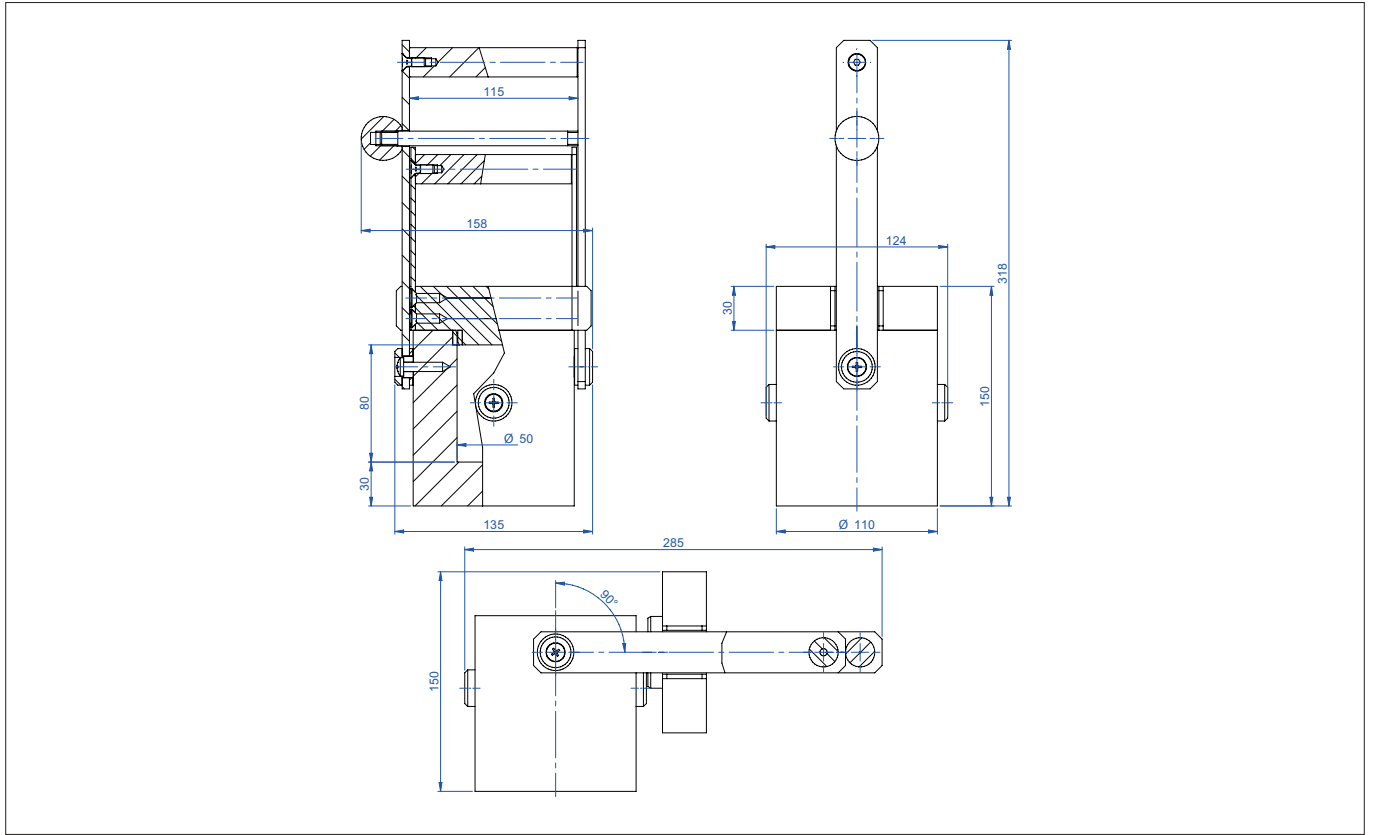
Weight	kg	22
Pit dimensions	mm	40 x 80 (Ø x h)
External dimensions	mm	120 x 333 (Ø x h)
Shielding (Pb)	mm	40

CP8

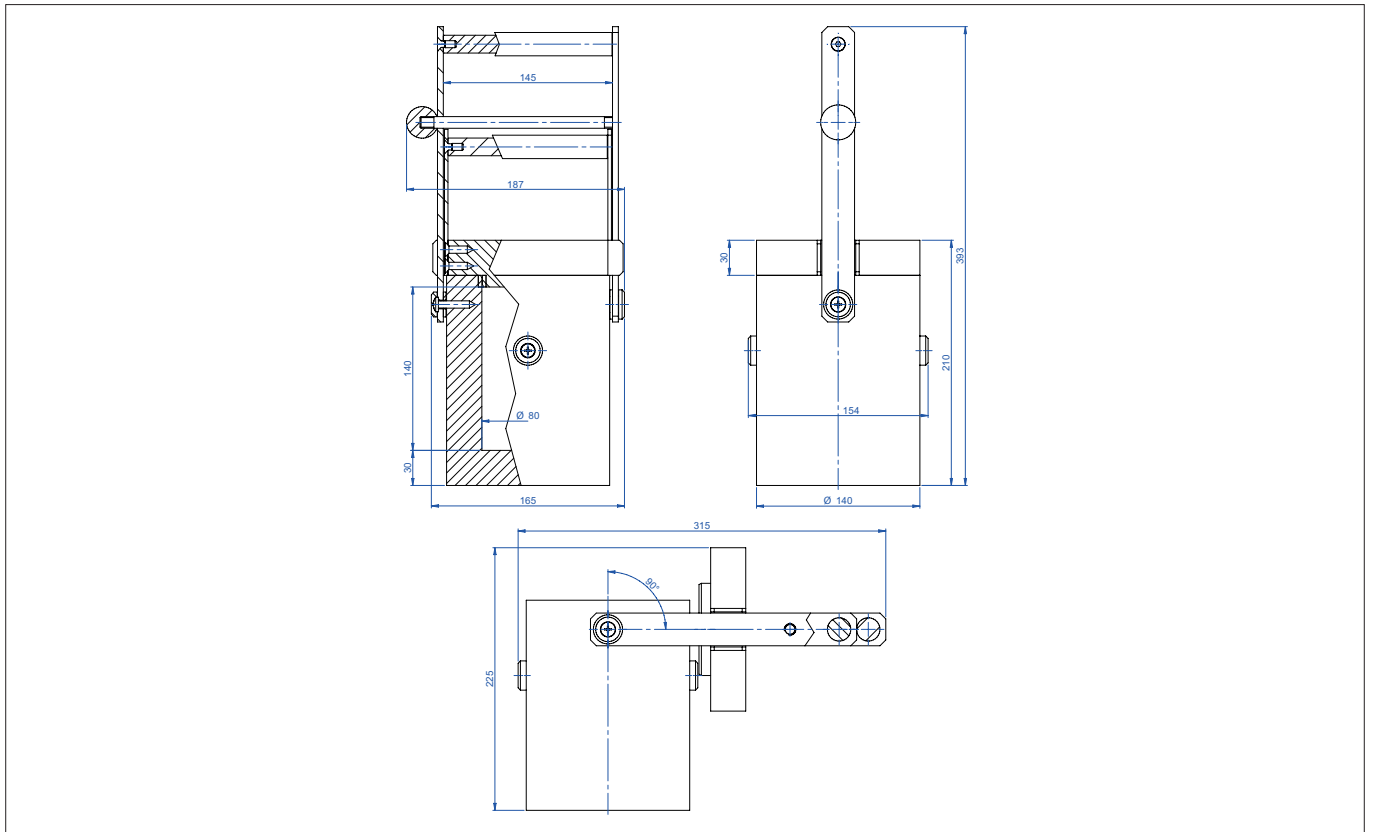
Weight	kg	70
Pit dimensions	mm	80 x 140 (Ø x h)
External dimensions	mm	180 x 433 (Ø x h)
Shielding (Pb)	mm	50

3.1 OVERALL DIMENSIONS

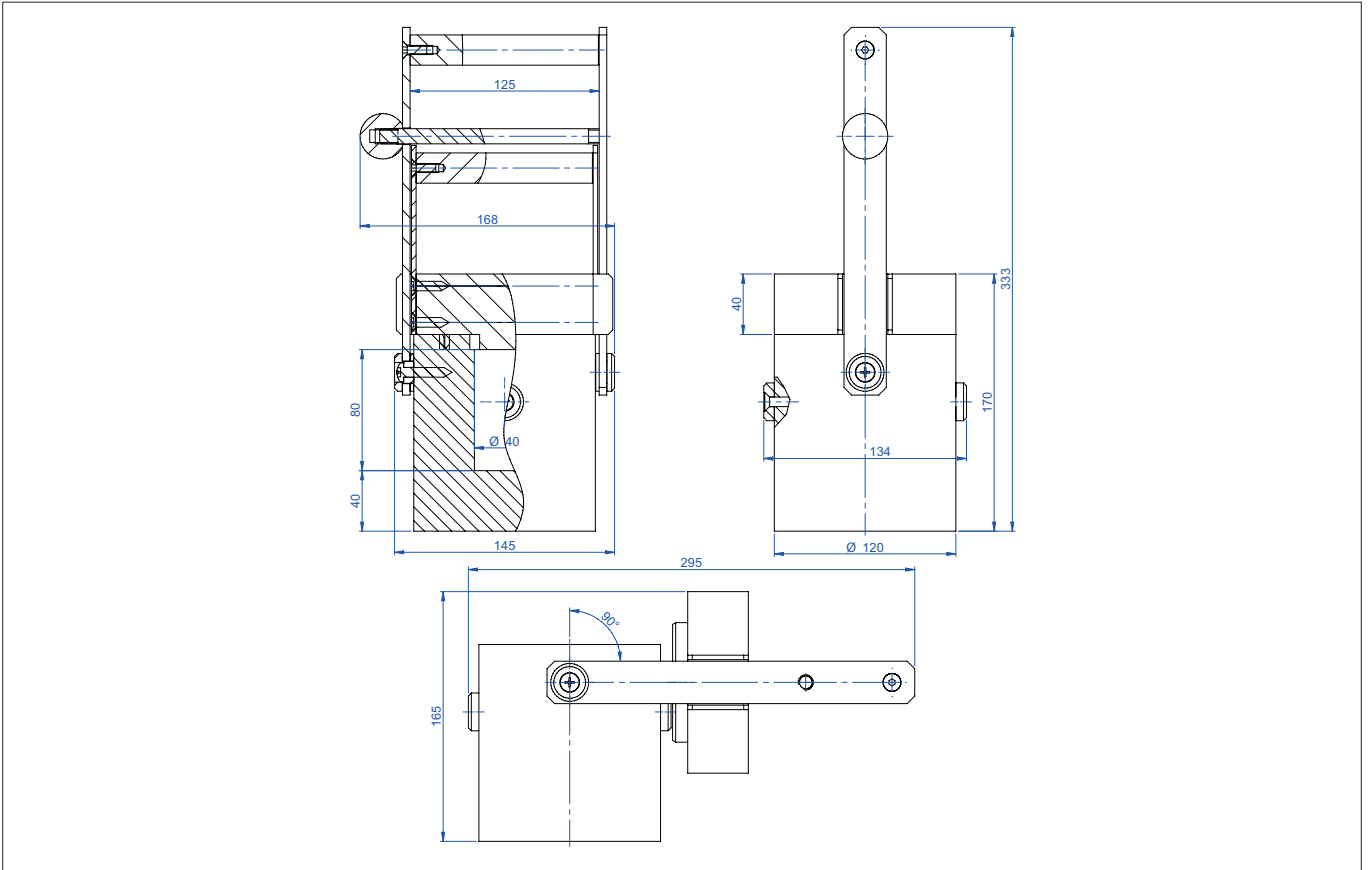
CP2



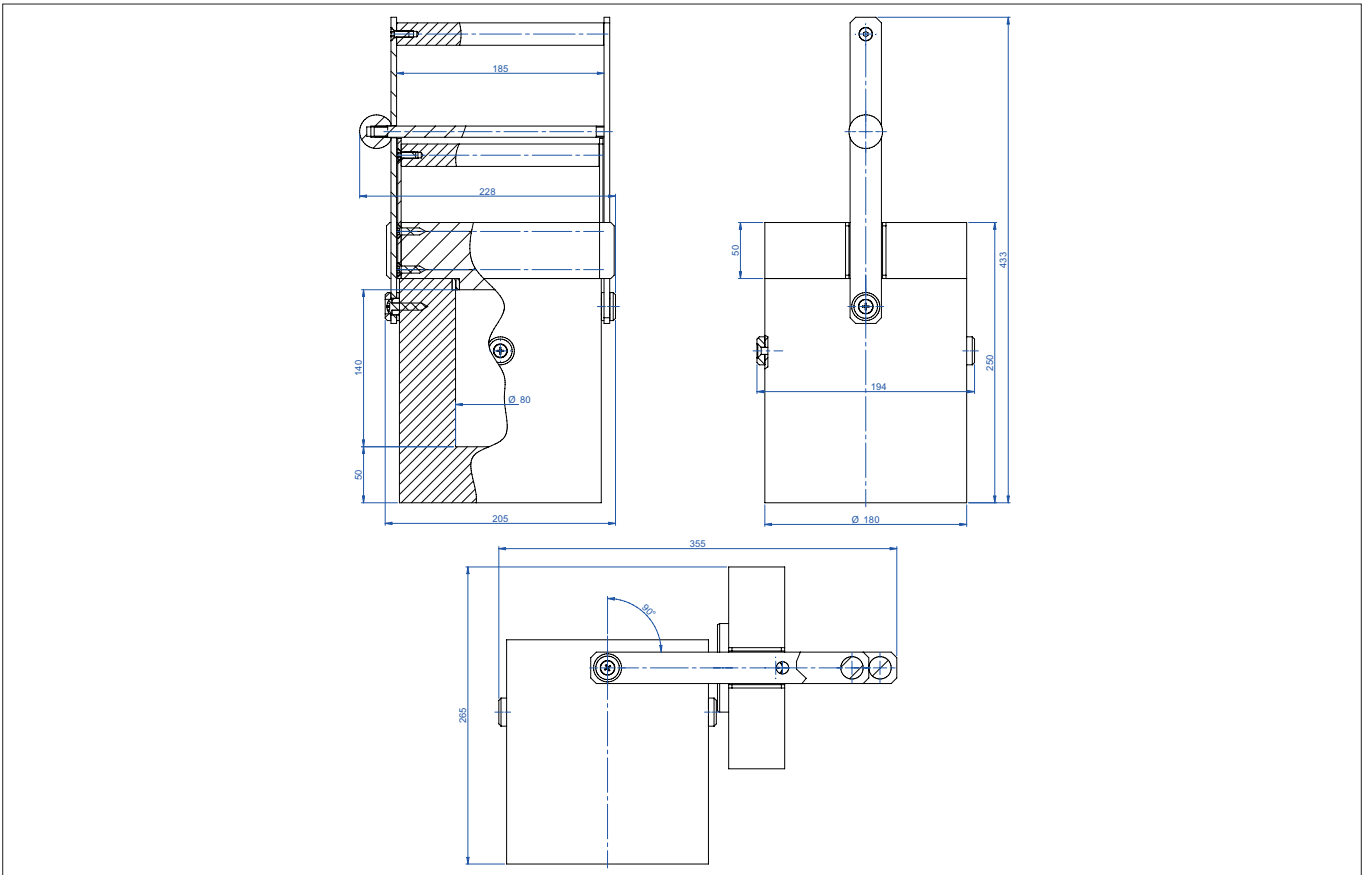
CP3



CP4



CP8





©2020 COMECER S.P.A. | ALL RIGHTS RESERVED - TUTTI I DIRITTI RISERVATI

Via Maestri del Lavoro, 90 - 48014 Castel Bolognese (RA) Italy
<http://www.comecer.com> - E-mail: comecer@comecer.com
tel. (+39) 0546 656375 - fax (+39) 0546 656353
