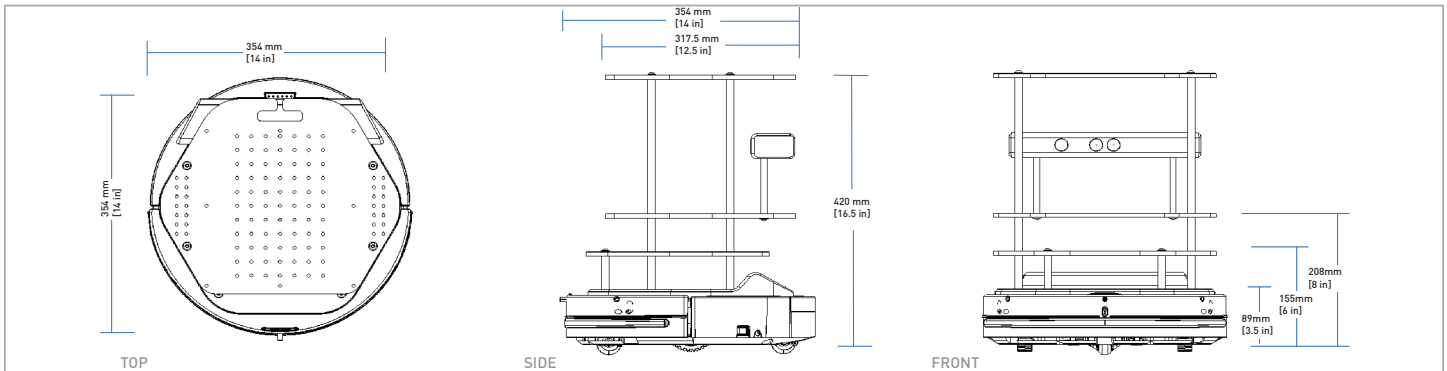


TurtleBot™

PERSONAL ROBOTICS PLATFORM



TECHNICAL SPECIFICATIONS

SIZE AND WEIGHT	
EXTERNAL DIMENSIONS (L x W x H)	354 x 354 x 420 mm (14.0 x 14.0 x 16.5 in)
WEIGHT	6.3 kg (13.9 lb)
WHEELS (Diameter)	76 mm (3 in)
GROUND CLEARANCE	15 mm (0.6 in)
SPEED AND PERFORMANCE	
MAX. PAYLOAD	5 kg (11 lb)
MAX. SPEED	0.65 m/s (2.1 ft/s)
MAX. ROTATIONAL SPEED	180°/S
BATTERY AND POWER SYSTEM	
STANDARD BATTERY	2200 mAh Li-Ion
EXTENDED BATTERY	4400 mAh Li-Ion
USER POWER	5 V and 19V (1A), 12 V (1.5A), 12V (5A)
SENSORS	
3D VISION SENSOR (ASUS Xtion PRO LIVE)	Color Camera: 640px x 480px, 30 fps. Depth Camera: 640px 480px, 30 fps
ENCODERS	25700 cps 11.5 ticks/mm
RATE GYRO	110 deg/s Factory Calibrated
AUXILIARY SENSORS	3x forward bump, 3x cliff, 2x wheel drop
COMPUTER (subject to change)	
MEMORY	4 GB
SCREEN	11.6in (1366x768)
PROCESSOR	Intel Core i3-4010U
GRAPHICS	Intel® HD Graphics
INTERNAL HARD DRIVE	500 GB
WIFI	802.11n
OPTICAL DRIVE	Not Applicable

Contact us today for pricing and a free 30 minute technical assessment: **1-800-301-3863**