

SONY

Preliminary



PXW-Z150

Solid-State Memory Camcorder

Compact handy camcorder delivers broadcast quality 4K and Full-HD

Ready for any shooting scenario, Sony's PXW-Z150 handy professional camcorder delivers stunning 4K image quality, 120fps HFR Full-HD slow-motion and built-in advanced networking for live streaming and wireless workflow.



XDCAM

4K

Exmor RS
CMOS Sensor

XAVC

MPEG HD422

WiFi
CERTIFIED



Breakthrough 4K imaging performance

Stunning imagery with world's first 1.0-inch type stacked CMOS sensor*

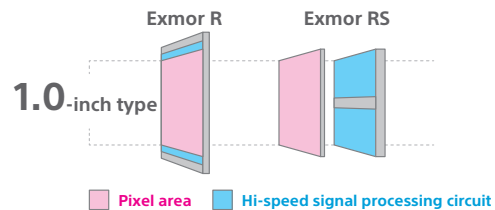
*for professional camcorder as of February 23, 2016

1.0-inch type 120fps HFR Revolutionary imaging performance with Exmor RS™ sensor

To deliver imaging performance previously impossible for a compact camcorder, Sony has developed the world's first 1.0-inch type stacked CMOS image sensor that delivers amazing imaging performance professionals have come to expect.

Exmor RS sensor

Advanced 'stacked' sensor design allows for a larger signal processing area without reducing pixel size within a compact chassis.



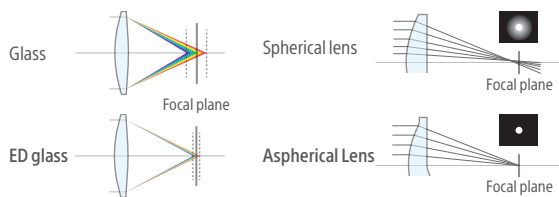
Max. 24x zoom

Sony's G lens with maximum 24x zoom

To maximize the quality of your images, the PXW-Z150 has a stunning optical 12x zoom lens that offers high resolution and contrast across the entirety of the image. Sony's advanced Clear Image Zoom feature doubles magnification to 18x when shooting in 4K QFHD and 24x in HD, to fully exploit the imaging capabilities of the PXW-Z150's large 1.0-inch type stacked sensor.

G lens

Aspherical Lens element with Extra-low Dispersion (ED) Glass eliminates spherical aberration for high contrast images with more accurate colour reproduction.



XAVC™

4K QFHD Long GOP 4:2:0 8bit 100Mbps
Full HD Long GOP 4:2:2 10bit 50Mbps

MPEG2 HD®

AVCHD™

Flexible 4K and Full HD recordings

Stunning 4K picture performance is supported with 4K QFHD (3840x2160) XAVC Long GOP at 100Mbps, while integration with established broadcast workflows is simplified with Full HD recording in XAVC Long GOP(4:2:2/10bit 50Mbps) and MPEG-2 HD (50Mbps/35Mbps). You can even use AVCHD to further expand workflow flexibility. However you want to shoot, the PXW-Z150 delivers.

The perfect handy camcorder

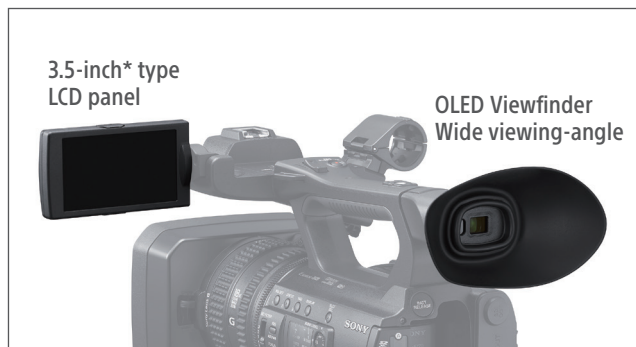
Lightweight and easy to use with integrated Wi-Fi®

4lbs. 3oz. camera body
3 Independent lens rings

Compact and lightweight body

The PXW-Z150 is ergonomically designed to provide a lightweight and easy-to-use shooting experience. Three manual, independent lens rings enable smooth, natural adjustment of focusing, zooming and iris control. The camcorder can also be used in full-auto mode or completely manual for maximum creative control. Exceptional 6.3W power efficiency offers high performance within a compact handheld body style without compromising battery life. Up to 400 minutes with optional NP-F970 battery.*

* While recording XAVC 1080/50i or 60i, 50Mbps with LCD on.



High resolution monitoring

The PXW-Z150 gives you precise monitoring and low latency, however you choose to shoot, with its advanced, wide viewing-angle and high contrast 0.39 type 1440K dots OLED electronic viewfinder (EVF) with large eye-cap, and an easily adjustable, flip-out 3.5-inch* type 1550K dots LCD panel.

* Viewable area measured diagonally.



Multi-Interface (MI) Shoe

The PXW-Z150 takes advantage of Sony's flexible built-in Multi-Interface (MI) Shoe, which provides power, signal connections and coordinated on/off switching to compatible accessories from Sony. For example, you can connect and control Sony's wireless microphone systems such as the UWP-D11 or UWP-D12 or attach the HVL-LBPC light*.

* Wireless microphone systems and light sold separately. HVL-LBPC is controlled but not powered by PXW-Z150.

Wireless

Networked for high mobility

The PXW-Z150 has advanced networking capabilities that give you more mobility in your work, allowing you to FTP files directly from the camcorder or live stream from any event using built-in Wi-Fi® features with no accessories required. Sony's unique QoS technology* dramatically improves the clarity that's possible on a wireless connection, giving you better pictures even with the limitations of today's real-world networks.

You can also remotely control the PXW-Z150 with a smartphone or tablet, including the ability to adjust settings such as focus, zoom, iris, white balance, REC START/STOP and more using Sony's Content Browser Mobile** software.

* QoS will initially require a firmware update and PWS-100RX1 receiver.

** The Content Browser Mobile application can be downloaded at no additional cost from the Google Play Store or App Store.



Wide choice of connections including 3G-SDI

There's no need to worry about adapters as the PXW-Z150 provides a wide variety of built-in connectivity options including 3G-SDI, HDMI®, Multi/Micro USB, professional audio XLR terminals, REMOTE and Composite (RCA). A supplied cold shoe adaptor kit from Sony, provides you with more flexibility for mounting accessories.



Dual media slots for recording flexibility

To extend recording times and workflow flexibility, the PXW-Z150 is equipped with two memory card slots and is compatible with SDXC and SDHC cards.

"RELAY" mode automatically switches recording from the first to the second memory card when the first is full, while "SIMUL" mode permits simultaneous recording to two memory cards (for example to create an immediate back-up version).

Specifications

PXW-Z150	
General	
Weight	Approx. 4 lbs 3 oz (1895g) (Body only) Approx. 5 lbs (2270 g) (with lens hood, eyecup, NP-F770 battery)
Dimensions (W x H x D)*	6 3/4 x 7 3/8 x 14 5/8 inches (171.3 x 187.8 x 371.3 mm) (With the accessories (lens hood, large eyecup), excluding the grip belt and including the projecting parts)
Power Requirements	DC In: 8.4V, Battery: 7.2 V
Power Consumption	Approx. 6.3 W (while recording with viewfinder and XAVC HD 1080/60i, 50 Mbps) Approx. 6.6 W (while recording with LCD and XAVC HD 1080/60i, 50 Mbps)
Operating Temperature	32°F to 104°F (0°C to 40°C)
Storage Temperature	-4°F to +140°F (-20°C to +60°C)
Battery Operating Time	Approx. 260 min. with NP-F770 battery (while recording with LCD, XAVC 1080/60i, 50 Mbps) Approx. 400 min. with NP-F970 battery (while recording with LCD, XAVC 1080/60i, 50 Mbps)
Lens	
Lens Mount	Fixed
Zoom Ratio	12x (optical), servo
Focal Length	f = 9.3 - 111.6 mm equivalent to f = 29.0 - 348.0 mm on 35 mm lens (16:9)
Iris	F2.8 - F4.5 auto/manual selectable
Focus	AF/MF selectable, 10 mm to ∞ (Wide), 1000 mm to ∞ (Tele)
Image Stabilizer	On/Off selectable, shift lens
Filter Diameter	M62 mm
Camera Section	
Imaging Device (Type)	1.0-inch type (13.2 mm x 8.8 mm) back-illuminated Exmor RS CMOS sensor
Effective Picture Elements	3840 (H) x 2160 (V)
Built-in Optical Filters	ND filters: OFF; CLEAR 1: 1/4ND 2: 1/16ND 3: 1/64ND
Minimum Illumination	1.7 lux (Low Lux)
Shutter Speed	{60i}: 1/8 - 1/10,000 (1/6 - 1/10,000 when shooting with 24p) {50i}: 1/6 - 1/10,000
Slow & Quick Motion Function	{60i}: XAVC HD: Frame rate selectable 1.2,4,8,15,30,60 fps {50i}: XAVC HD: Frame rate selectable 1.2,3,6,12,25,50 fps {60i}: MPEG HD: Frame rate selectable 1.2,4,8,15,30 fps {50i}: MPEG HD: Frame rate selectable 1.2,3,6,12,25 fps {60i}: AVCHD: Frame rate selectable 1.2,4,8,15,30,60 fps {50i}: AVCHD: Frame rate selectable 1.2,3,6,12,25,50 fps
Super Slow Motion Function	{60i}: XAVC HD: Frame rate selectable 120 fps {50i}: XAVC HD: Frame rate selectable 100 fps
White Balance	Preset (Indoor: 3200K, Outdoor: 5600K±7 steps, Color temperature set range: 2300-15000K), Onepush A, B, Auto selectable
Gain	-3, 0, 3, 6, 9, 12, 15, 18, 21, 24, 27, 30, 33 dB, AGC
Gamma Curve	Selectable

PXW-Z150	
Input/Output	
Audio Input	XLR-type 3-pin (female) (x2), line/mic/mic +48 V selectable
Video Output	Integrated into Multi/Micro USB jack (x1), RCA pin (x1), Composite 1.0Vp-p, 75 Ω
Audio Output	Integrated into Multi/Micro USB jack (x1), RCA pin (Monaural) (x1)
SDI Output	BNC (x1), 3G/HD/SD SMPTE ST 424/ST 292-1/ST 259 standards
HDMI Output	HDMI connector (Type A)
USB	Multi/Micro USB jack (x1)
Headphone Output	Stereo mini jack (x1)
Speaker Output	Monaural
DC Input	DC jack
Remote	Stereo mini-minijack (ø2.5 mm)
Monitoring	
LCD Monitor	8.8 cm (3.5 type), Approx. 1.56M dots
Viewfinder	1.0cm (0.39 type) OLED Approx. 1.44M dots
Built-in Microphone	
	Omni-directional stereo electret condenser microphone
Media	
Type	MS/SD(1),SD(1)
Wi-Fi/NFC	
Supported Format	IEEE 802.11 b/g/n
Frequency Band	2.4 GHz bandwidth
Security	WEP/WPA-PSK/WPA2-PSK
NFC	NFC Forum Type 3 Tag compliant
Supplied Accessories	
	Lens hood (1) Large eyecup (1) Shoecap (1) Accessory shoe kit (accessory shoe (1), accessory shoe plate (1), screws (4)) USB cable (1) AC Adaptor (AC-L100 C) (1) Power cord (mains lead) (1) Rechargeable battery pack (NP-F770) (1) Charger (BC-L1) (1) Wireless Remote Commander (RMT-845) (1) Lithium battery (CR2025 for the Wireless Remote Commander) (1), Pre-installed to the Wireless Remote Commander Operating Guide (2) CD-ROM "Manuals for Solid-State Memory Camcorder" (1) Warranty (1)

* Weights and dimensions are approximate.

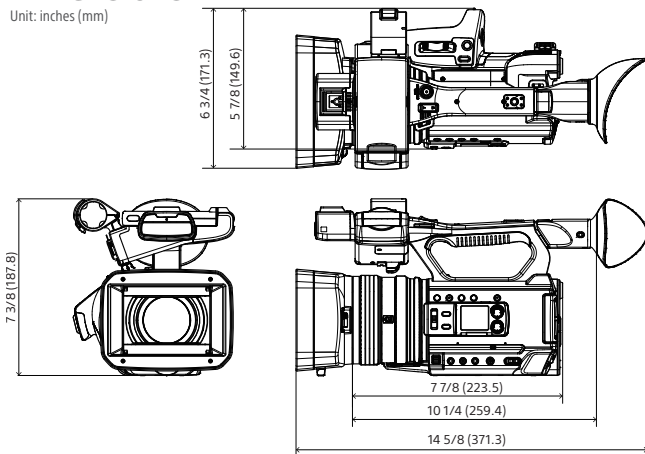
	Format	Bitrate	Definition	Recording frame rate	Audio format	Recording time 64G SD card	
4K	XAVC Long	100Mbps	3840 x 2160	29.97p, 25p, 23.98p	Linear PCM 2ch, 24bit, 48kHz	Approx. 65 min	
	MPEG-4 AVC/H.264	60Mbps		29.97p, 25p, 23.98p		Approx. 100 min	
	XAVC Long MPEG-4 AVC/H.264	50Mbps		1920×1080		59.94p, 50p, 59.94i, 50i, 29.97p, 25p, 23.98p,	Approx. 120 min
		35Mbps		1280×720		59.94p, 50p,	Approx. 170 min
HD	MPEG HD 4:2:2 (MPEG-2 422P@HL)	25Mbps	1920×1080	59.94p, 50p,	Linear PCM 2ch, 16bit, 48kHz	Approx. 220 min	
		50Mbps	1280×720	59.94p, 50p,		Approx. 120 min	
	MPEG HD 4:2:0 (MPEG-2 MP@HL)	35Mbps	1920×1080	59.94i, 50i, 29.97p, 25p, 23.98p	Linear PCM 2ch, 16bit, 48kHz	Approx. 170 min	
			1280×720	59.94i, 50i			
			1280×720	59.94p, 50p			
	AVCHD MPEG-4 AVC/H.264 AVCHD 2.0 format compatible	28Mbps	1920×1080	59.94p, 50p,	Linear PCM 2ch, 16bit, 48kHz Dolby® Digital 2ch, 16bit, 48kHz	Approx. 290 min	
		24Mbps	1920×1080	59.94i/50i/29.97p/25p/23.98p,			
		17Mbps	1280×720	59.94p, 50p,			
			1280×720	59.94i/50i/29.97p/25p/23.98p,			
		9Mbps	1280×720	59.94p, 50p,			

Accessories



Dimensions

Unit: inches (mm)



©2016 Sony Electronics Inc. All rights reserved.

Reproduction in whole or in part without written permission is prohibited.

Features and specifications are subject to change without notice.

Weights and dimensions are approximate.

Sony, XAVC, Exmor RS, XDCAM, MPEG HD422 and the Sony logo are trademarks of Sony.

AVCHD and AVCHD logo are trademarks of Panasonic Corporation and Sony Corporation.

WiFi is a trademark of the WiFi Alliance.

Dolby is a registered trademark of the Dolby Laboratories.

All other trademarks are the property of their respective owners.

Sony Electronics Inc.
1 Sony Drive
Park Ridge, NJ 07656
sony.com/xdcam
sony.com/PXWZ150

V-2633 (MK20103V1)

Printed in USA (2/16)