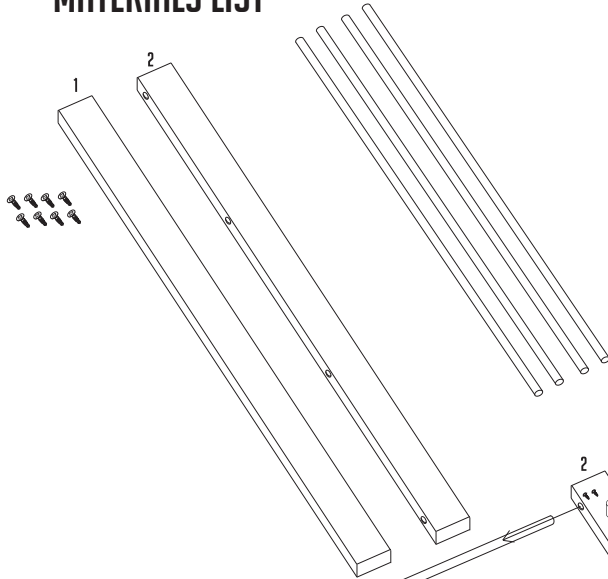




ASSEMBLY GUIDE

MATERIALS LIST

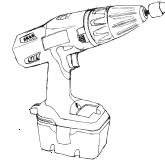


PHILLIPS SCREWDRIVER

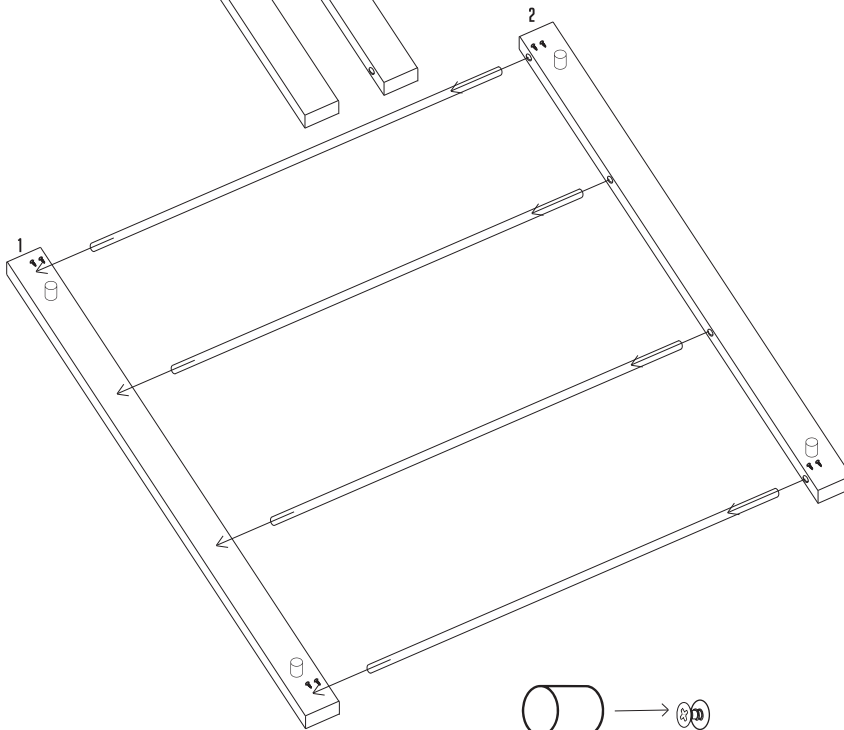
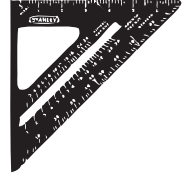


OR

POWERDRILL (RECOMMENDED)



CARPENTER'S SQUARE



ASSEMBLY INSTRUCTIONS

1. ON A SOFT SURFACE, LAY THE TWO VERTICAL WOOD PIECES, FRONT SIDE FACING DOWN.
2. INSERT THE RODS INTO PIECE #1, THEN SLIDE PIECE #2 ON THE RODS.
3. THE HOLES SHOULD BE SNUG ENOUGH THAT SCREWS ARE NOT REQUIRED. IF YOU WOULD PREFER TO SECURE THE POLES, THE SELF DRILLING SCREWS CAN BE INSERTED THROUGH THE BACK SIDE OF THE WOOD PIECES INTO THE RODS.
4. USE A CARPENTER'S SQUARE TO MAKE SURE THE RODS ARE AT A 90 DEGREE ANGLE WITH THE WOOD PIECES.
5. NOW IT'S TIME TO HANG THE RACK! THE RACK CAN BE HUNG USING THE INCLUDED DRYWALL HANGERS. WE RECOMMEND LEAVING A GAP OF ROUGHLY 1/8" BETWEEN THE SCREW HEAD AND THE WALL TO ALLOW THE STAINLESS STANDOFF TO SLIDE OVER THE TOP OF THE SCREW HEAD TO SECURE THE RACK ON THE WALL.
6. HANG YOUR SCARVES!



SUPPORT@SCARFRACKS.COM



WWW.SCARFRACKS.COM