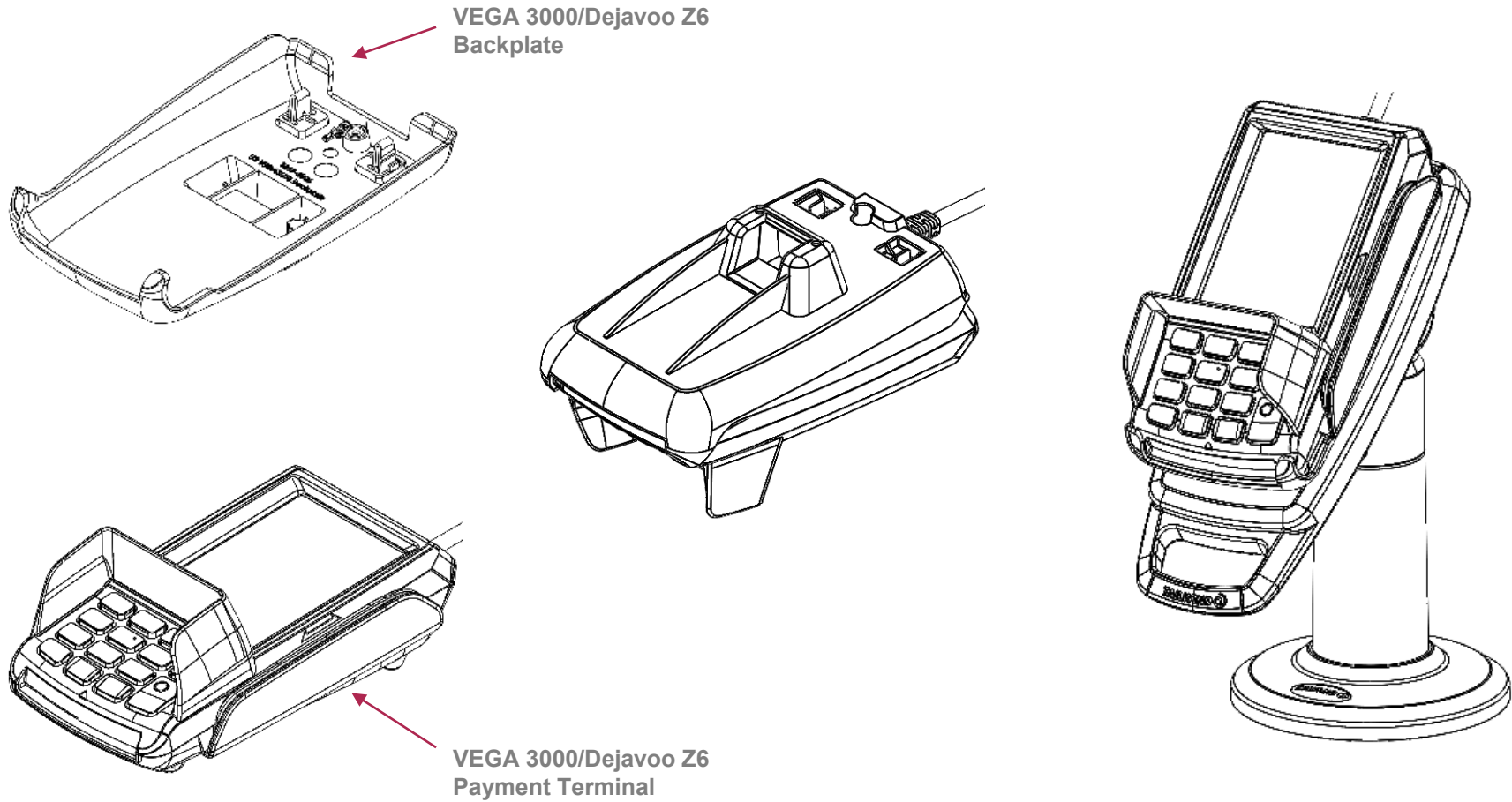


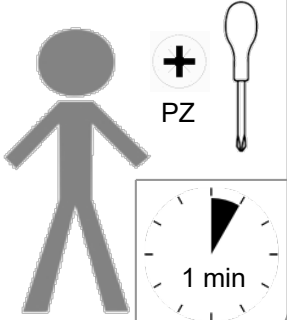
Quick Installation Guide



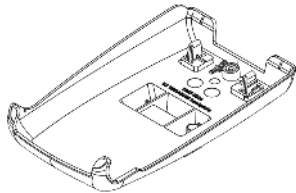
Castles VEGA 3000/Dejavoo Z6 Backplate

Quick Installation Guide

TOOLS



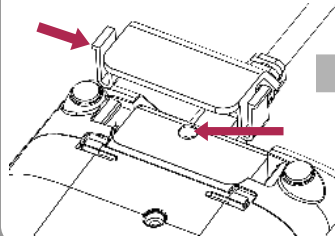
PARTS



1x VEGA3000 Backplate
1x M2x10mm Screw

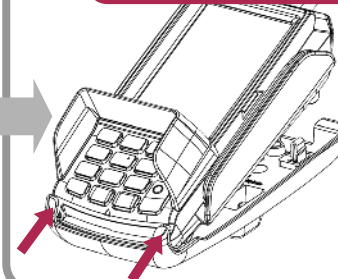
1

Remove cable cover and screw then store safely



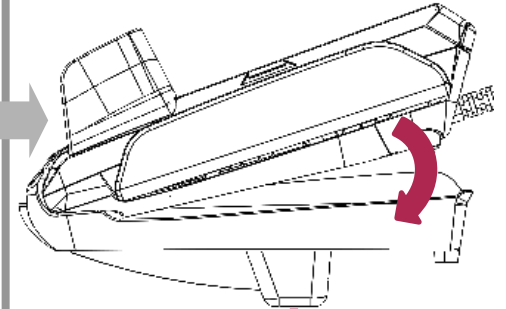
2

Hook front of terminal into the Backplate as shown below



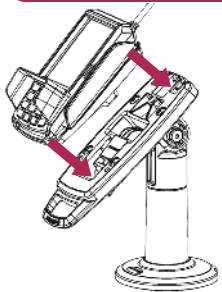
3

Rotate terminal into Backplate



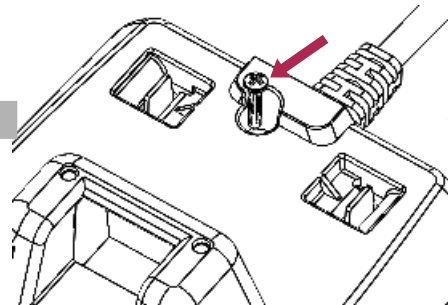
6

Fit terminal onto stand. Press firmly until click.



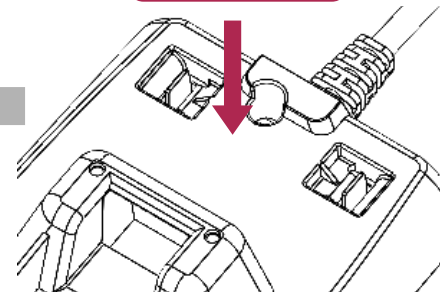
5

Fit screw provided

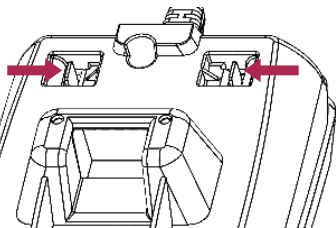


4

Press firmly until 2 clicks are heard



To take backplate off remove screw then squeeze clips together and pull Backplate

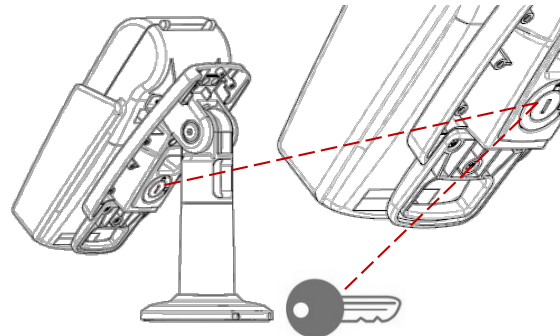


OPTIONAL

SAFEBASE OPTION

To lock device, turn key clockwise then remove key.

To unlock, turn counter-clockwise.



To remove device

