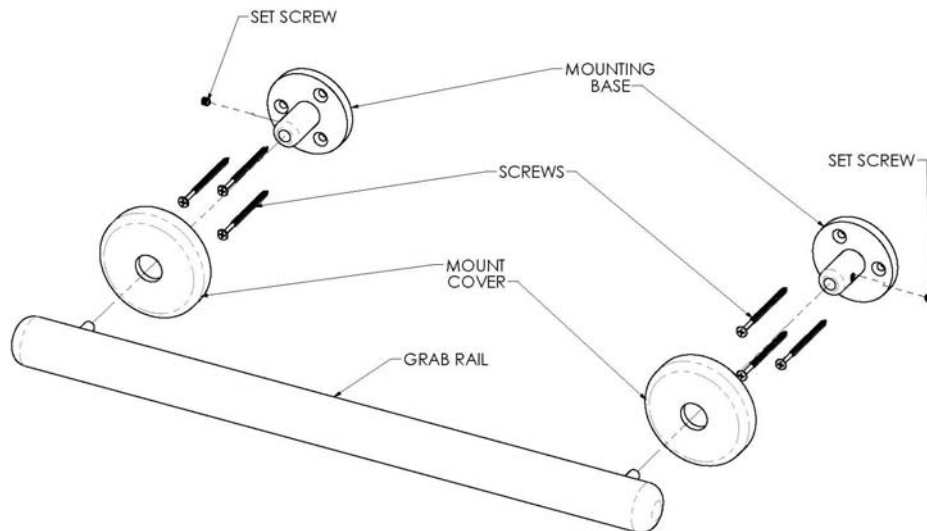


# Sistine Stone Grab Bar Installation Guide

Our Sistine Stone grab bars are designed to give you added stability with an elegant appearance. Follow the instructions below to properly install your grab bar.

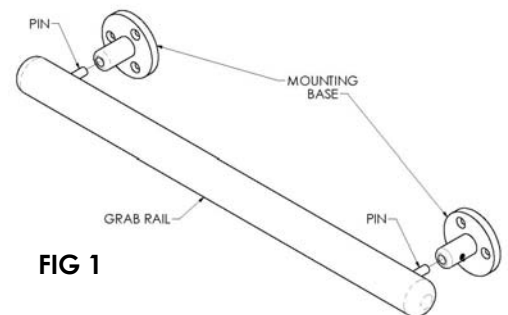


## Tools and Supplies:

- Drill and 1/8" Drill Bit
- 100% Silicone
- Screw Driver
- Clean Cloths
- Pencil/Pen
- Grout

## Installation:

1. Find where you want to place the grab rail. Our grab bars can be placed in any position horizontal, vertical, or angled as long as the screws in the mounting bases will be attached to the studs in the wall. **Two screws from each mounting base *must* screw into a stud in the wall.**
2. Place the mounting bases onto the pins of the grab rail and place the grab rail into position (fig. 1).
3. Align the holes in the mounting bases so that two screws will screw into the stud.
4. Mark the mounting holes onto the wall.
5. Do this for both mounts for the grab rail.
6. Pre drill the holes you just marked using a 1/8" drill bit.
7. Once the holes have been predrilled screw the mounting plates into place. Do not tighten down the screws all the way. Just snug the screws so you can test fit the grab rail.



8. Test fit the grab rail into the mounting plates making sure both pins on the grab rail fit inside the mounting bases completely.
9. If the mounting bases are in the right place remove the mounting bases and put 100% silicone on the backside of the mounting bases (fig. 2). Then re-install the bases. Tighten the screws all the way down. **DO NOT OVERTIGHTEN SCREWS.** Wipe away any excess silicone with a clean cloth.
10. Test fit the grab rail again to make sure it still fits properly and then remove it.
11. Locate the stone mount covers. Apply 100% silicone to the inside of the stone mount covers and place onto the mounting plates (fig. 3).
12. Wipe away any excess silicone.
13. Install the grab rail into the mounting bases and tighten the set screws in the mounting bases. Make sure the grab rail sits flush against the mounting bases.
14. Allow the 100% silicone to dry completely before moving on to the next step. Refer to the silicone manufacturer's recommendations for dry time.
15. Once the silicone is completely dry apply grout to the edges of the stone mount cover, the mount, and the grab bar (fig. 4).
16. Allow the grout to dry completely before exposing to water or moisture.

