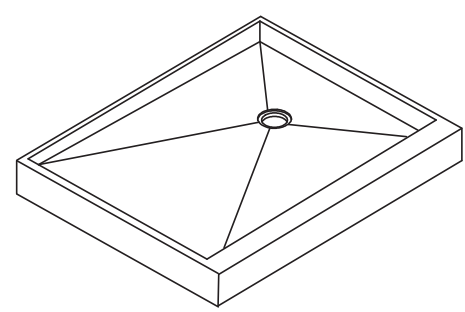
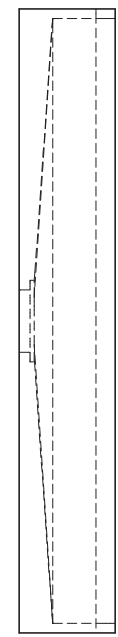
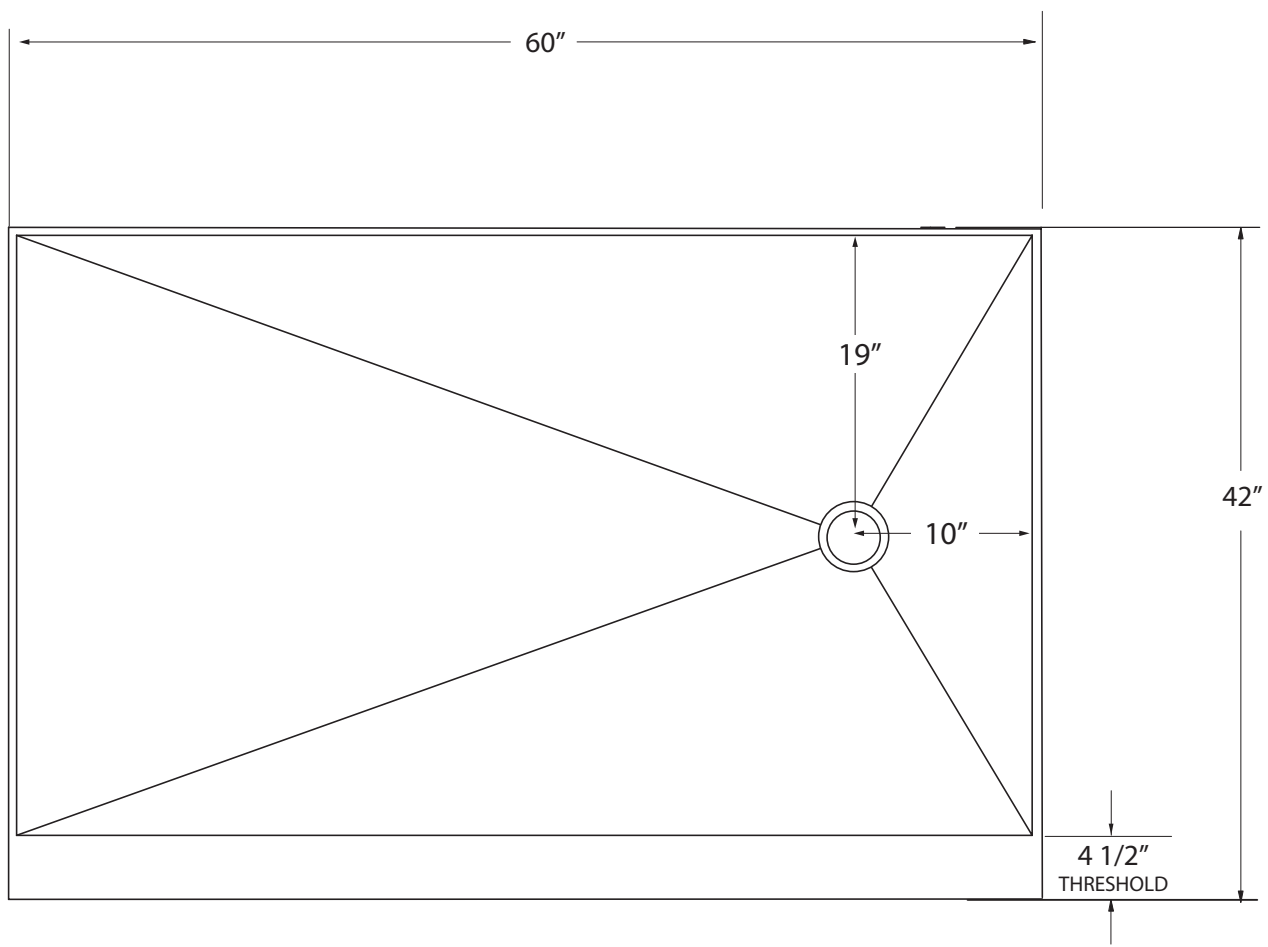



E  
D  
C  
B  
A



SCALE 1:25

NOTES:

DO NOT USE ANY PRODUCT SPECIFICATIONS TO BEGIN INSTALLATION BEFORE RECEIVING PRODUCT. THESE SPECIFICATION SHEETS ARE FOR REFERENCE ONLY. USE ACTUAL PRODUCT MEASUREMENTS ONLY. (OVERALL DIMENSION TOLERANCE IS +/- 1/4")

UNLESS OTHERWISE SPECIFIED DIMENSIONS ARE IN INCHES. TOLERANCES ARE			 <b>SHOWER PAN</b>		
X.X = ± 0.1	FRACTIONAL = ± 1/4"				
X.XX = ± 0.01	ANGULAR = ± 1/2"		SIZE	PRT. NO.	REV
X.XXX = ± 0.005	NAME	DATE	<b>A</b>	<b>S604204XX-RH</b>	<b>D</b>
DRAWN		7/17/2014	SCALE: 1:10		FINISH: ALL
CHECKED					SHEET 1 OF 1
ENG. APPR.					