

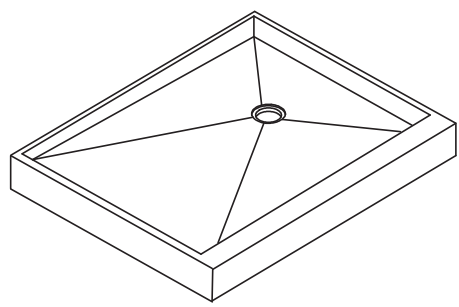
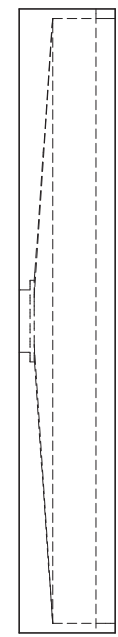
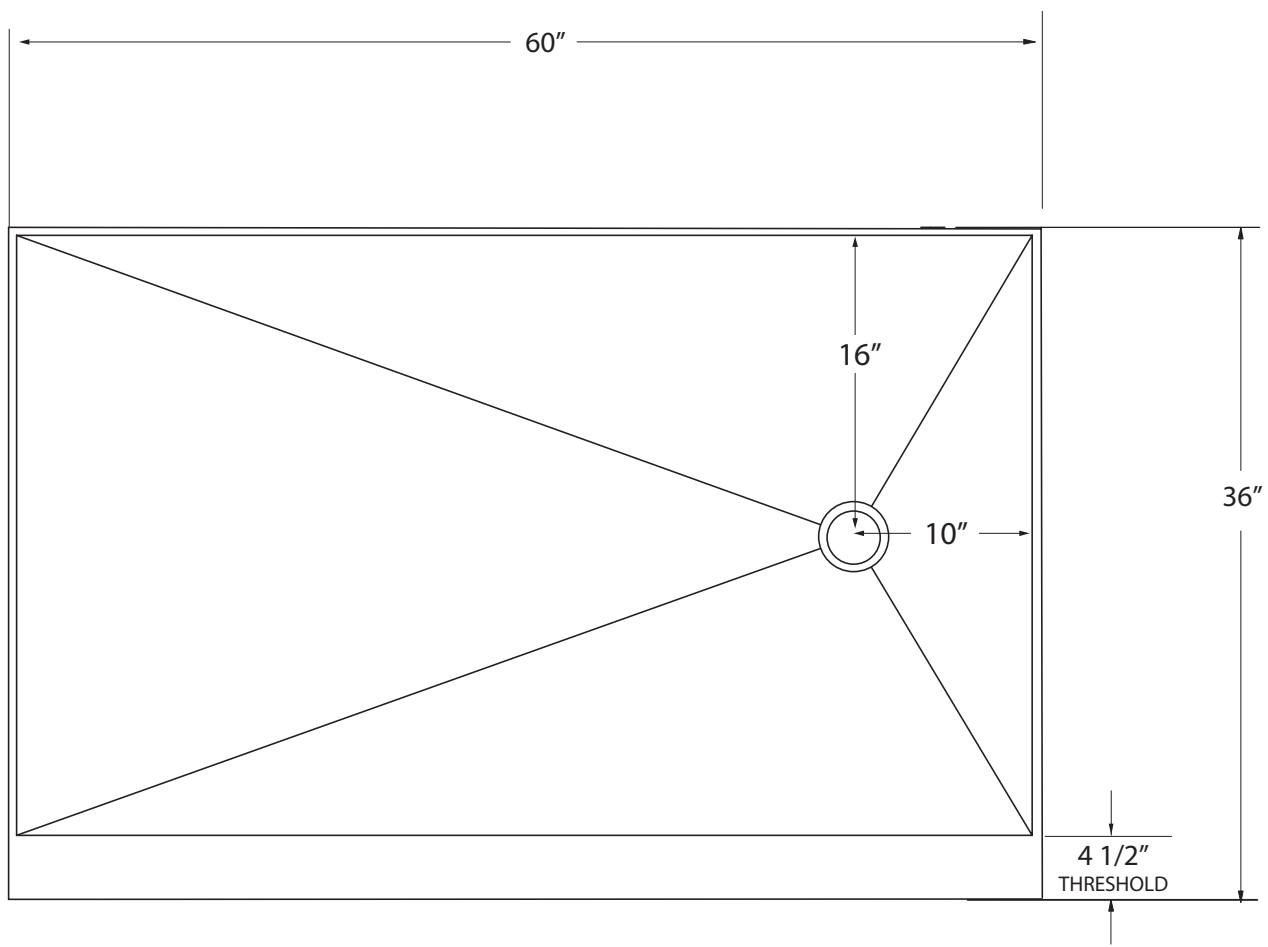
E

D

C

B

A



SCALE 1:25

NOTES:

DO NOT USE ANY PRODUCT SPECIFICATIONS TO BEGIN INSTALLATION BEFORE RECEIVING PRODUCT. THESE SPECIFICATION SHEETS ARE FOR REFERENCE ONLY. USE ACTUAL PRODUCT MEASUREMENTS ONLY. (OVERALL DIMENSION TOLERANCE IS +/- 1/4")

UNLESS OTHERWISE SPECIFIED  
DIMENSIONS ARE IN INCHES. TOLERANCES ARE  
X.X = ± 0.1      FRACTIONAL = ± 1/4"  
X.XX = ± 0.01      ANGULAR = ± 1/2"  
X.XXX = ± 0.005



SHOWER PAN

	NAME	DATE	SIZE	PRT. NO.	REV
DRAWN		7/17/2014	<b>A</b>	S603604XX-RH	<b>D</b>
CHECKED			SCALE: 1:10		FINISH: ALL
ENG. APPR.					SHEET 1 OF 1

1

2

3

4

5