

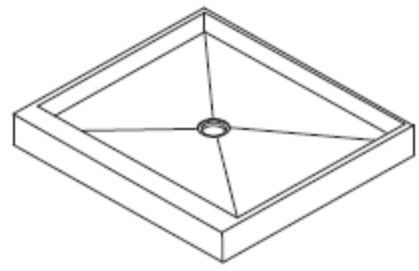
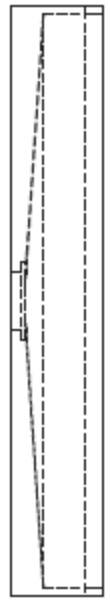
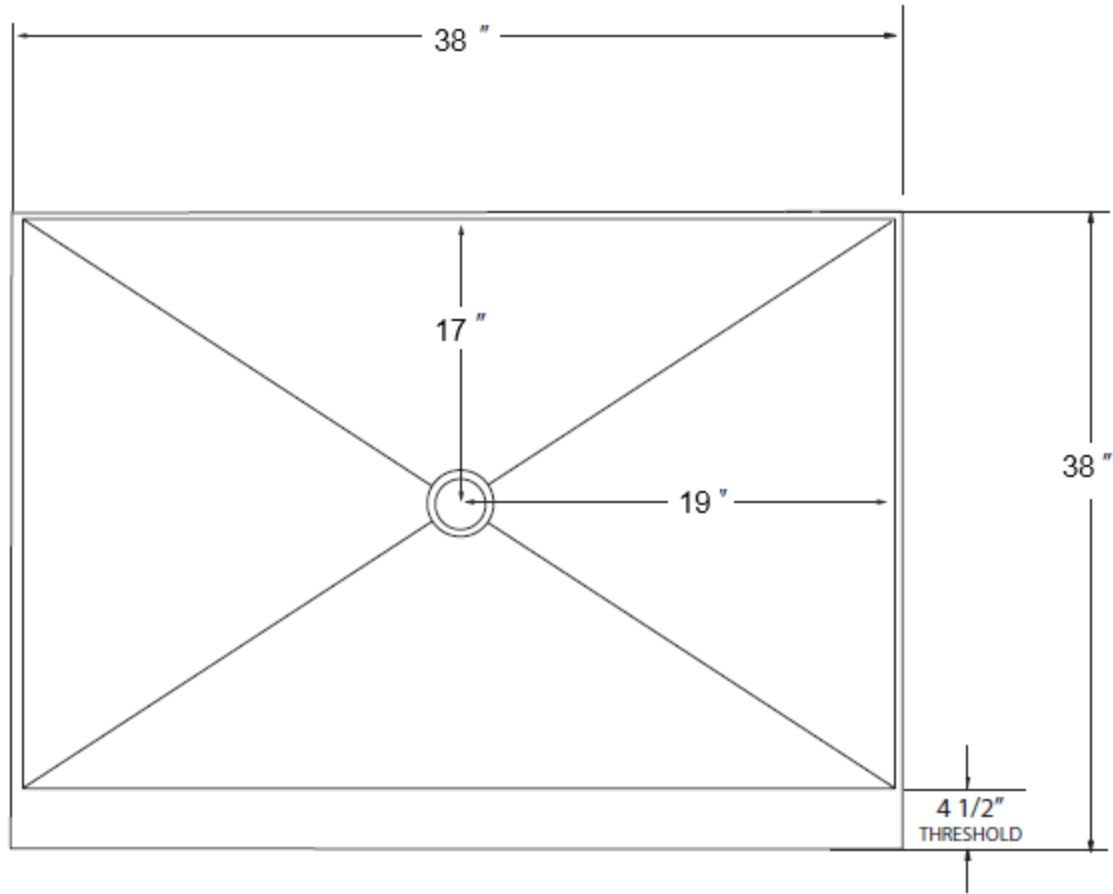
E

D

C

B

A



SCALE 1:25

NOTES:

DO NOT USE ANY PRODUCT SPECIFICATIONS TO BEGIN INSTALLATION BEFORE RECEIVING PRODUCT. THESE SPECIFICATION SHEETS ARE FOR REFERENCE ONLY. USE ACTUAL PRODUCT MEASUREMENTS ONLY. (OVERALL DIMENSION TOLERANCE IS +/- 1/4")

UNLESS OTHERWISE SPECIFIED, DIMENSIONS ARE IN INCHES. TOLERANCES ARE:
 XX - ± 0.1 FRACTIONAL - ± 1/4"
 XXX - ± 0.01 ANGULAR - ± 1/2"
 XXXX - ± 0.005



SHOWER PAN

	NAME	DATE	SIZE	PRT. NO.	REV
DRAWN		7/17/2014	A	S383804XX-C	D
CHECKED			SCALE: 1:10	FINISH: ALL	SHEET 1 OF 1
ENG. APPR.					

1

2

3

4

5