

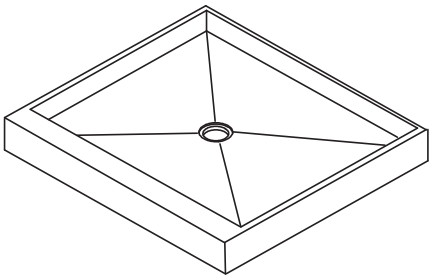
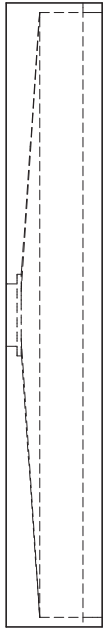
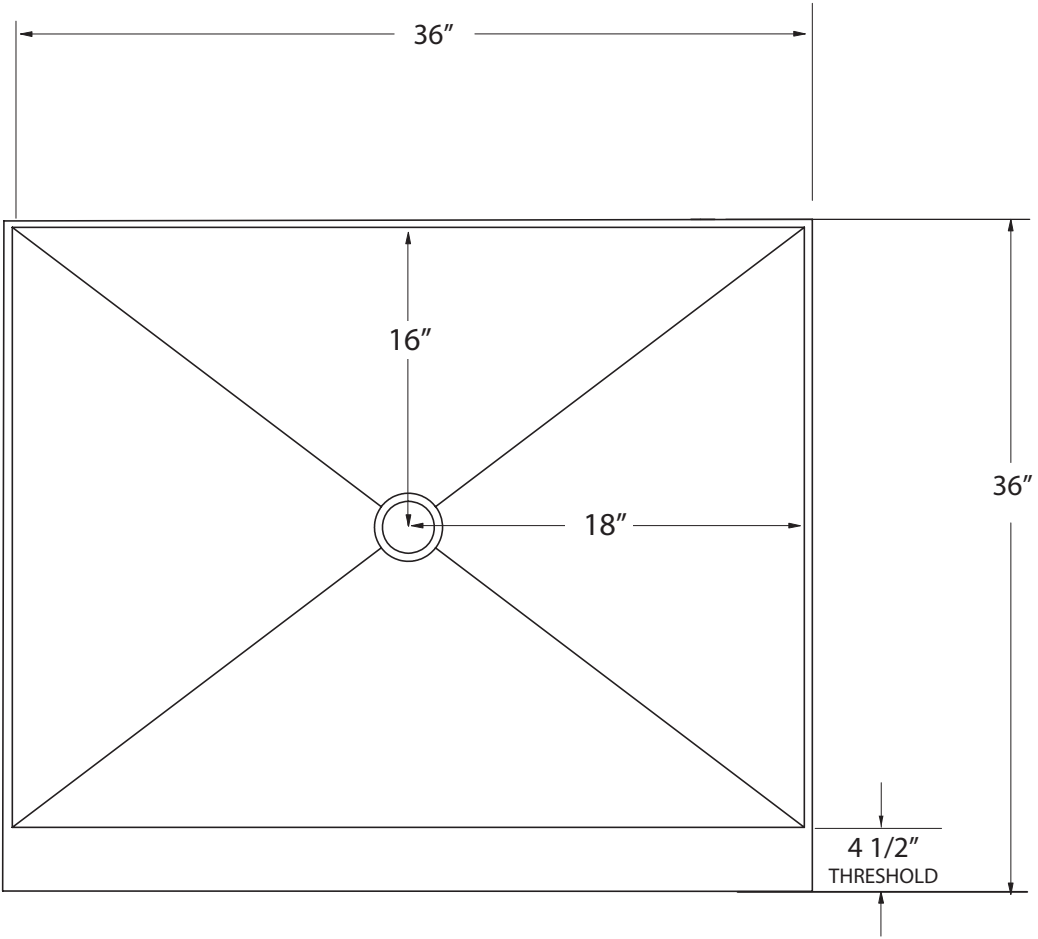
E

D

C

B


A



SCALE 1:25

NOTES:

DO NOT USE ANY PRODUCT SPECIFICATIONS TO BEGIN INSTALLATION BEFORE RECEIVING PRODUCT. THESE SPECIFICATION SHEETS ARE FOR REFERENCE ONLY. USE ACTUAL PRODUCT MEASUREMENTS ONLY. (OVERALL DIMENSION TOLERANCE IS +/- 1/4")

|   |      |           |   |                    |              |
|---|------|-----------|---|--------------------|--------------|
| UNLESS OTHERWISE SPECIFIED DIMENSIONS ARE IN INCHES. TOLERANCES ARE<br>X.X = ± 0.1      FRACTIONAL = ± 1/4"<br>X.XX = ± 0.01    ANGULAR = ± 1/2"<br>X.XXX = ± 0.005 |      |           | <br>DECADES OF DEPENDABILITY |                    |              |
| <h3>SHOWER PAN</h3>   |      |           |   |                    |              |
|   | NAME | DATE      | SIZE  | PRT. NO.           | REV          |
| DRAWN   |      | 7/17/2014 | <b>A</b>  | <b>S363604XX-C</b> | <b>D</b>     |
| CHECKED   |      |           | SCALE: 1:10    FINISH: ALL  |                    | SHEET 1 OF 1 |
| ENG. APPR.  |      |           |   |                    |              |

1

2

3

4

5